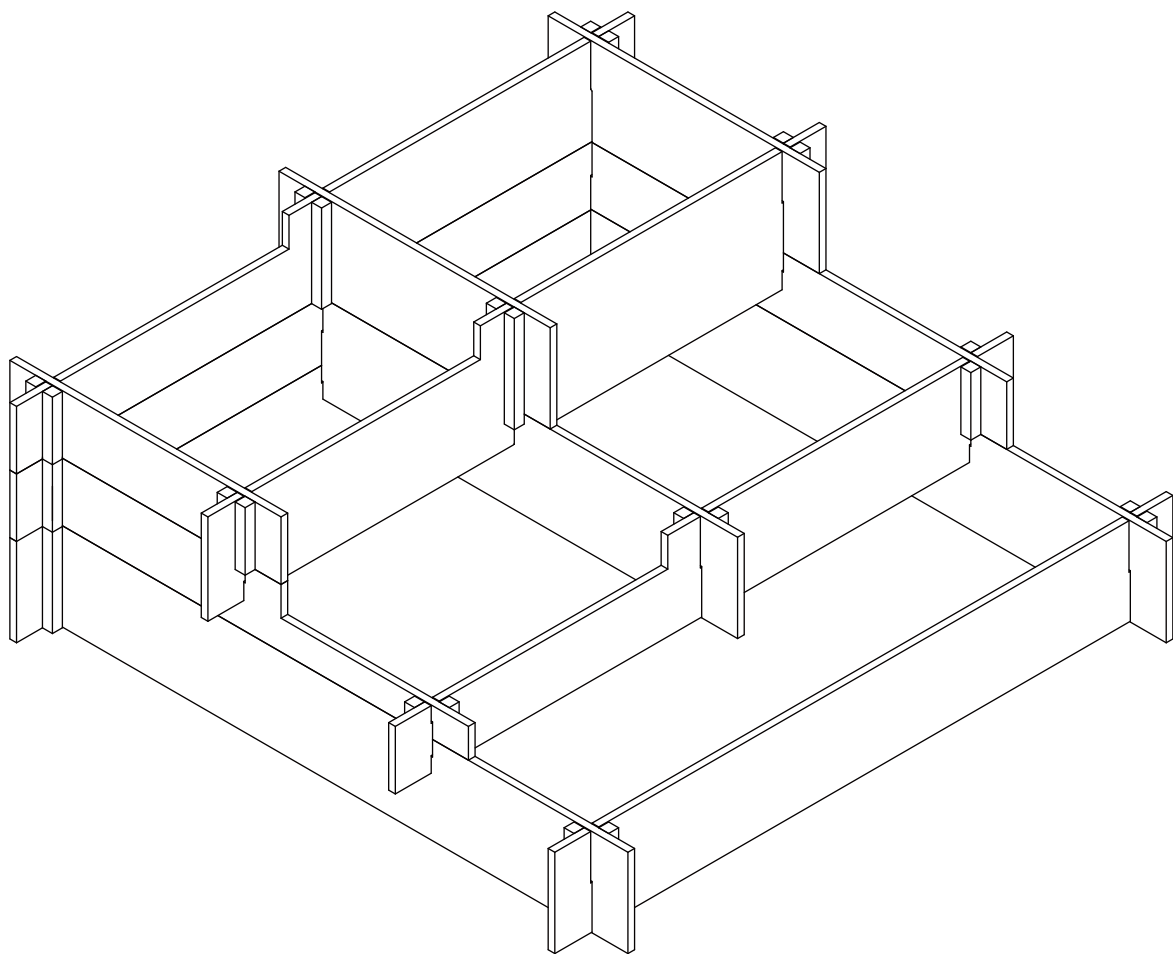




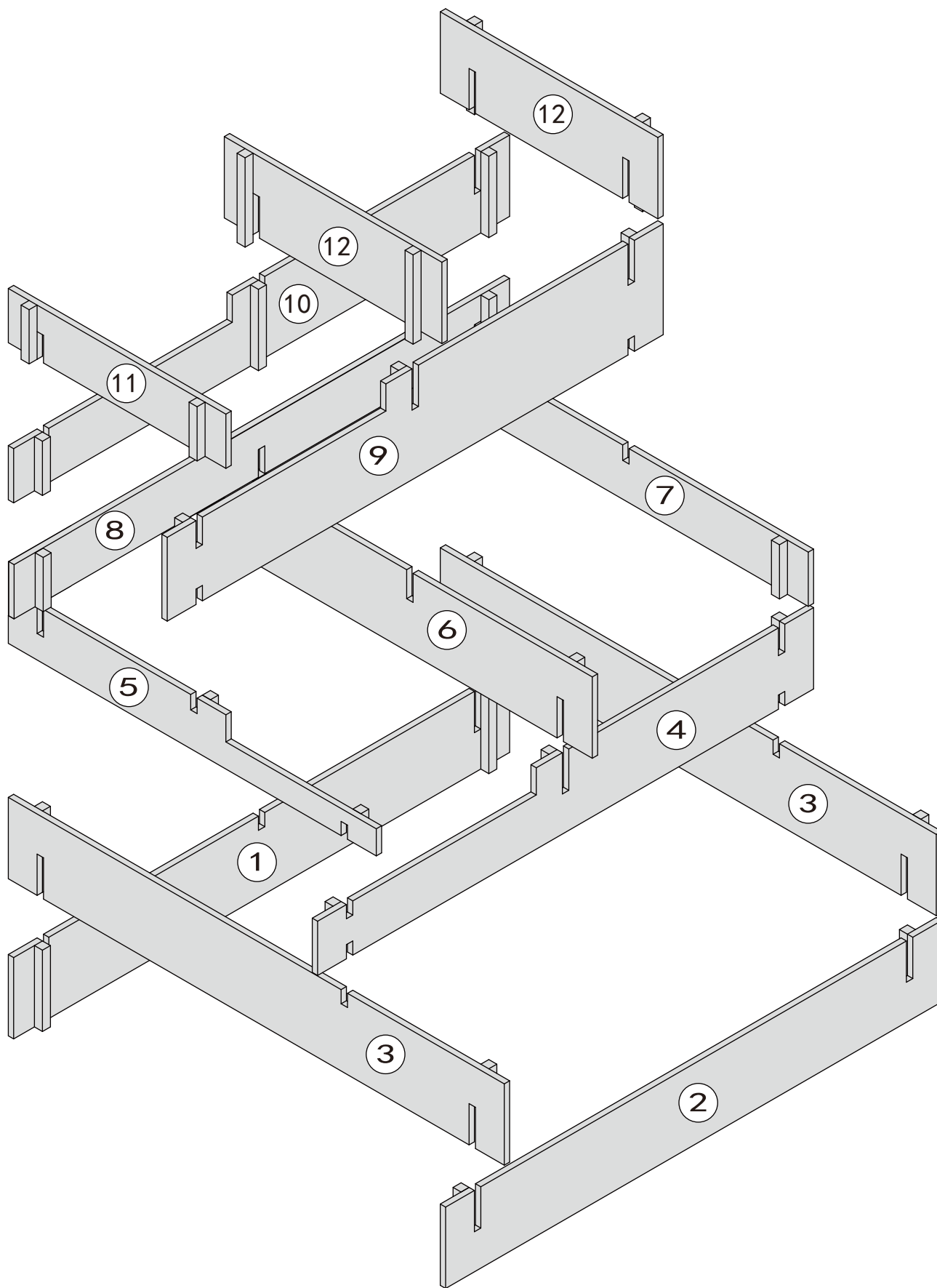
INbmb103_GL

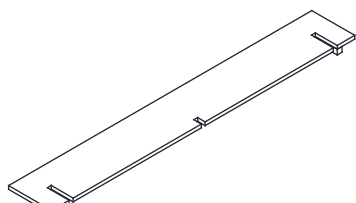
845-639



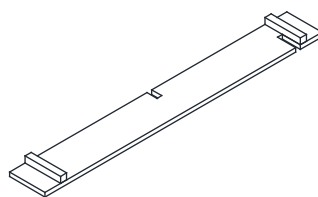
IMPORTANT, RETAIN FOR FUTURE REFERENCE: READ CAREFULLY

ASSEMBLY & INSTRUCTION MANUAL

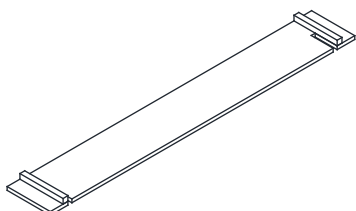




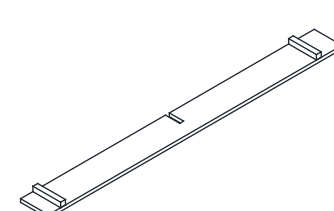
① x 1

 $930 \times 132 \times 25$ mm

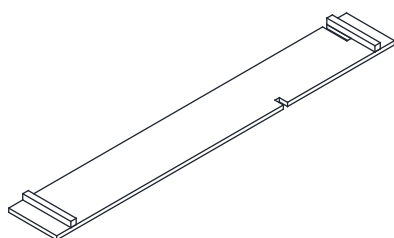
② x 1

 $690 \times 132 \times 25$ mm

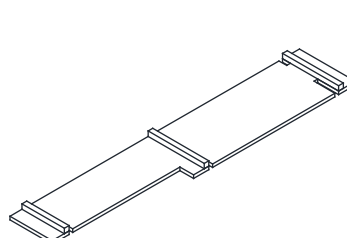
③ x 2

 $930 \times 132 \times 25$ mm

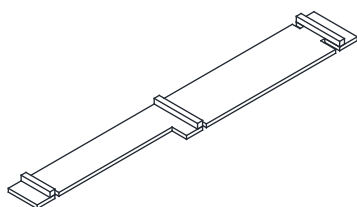
④ x 1

 $930 \times 132 \times 25$ mm

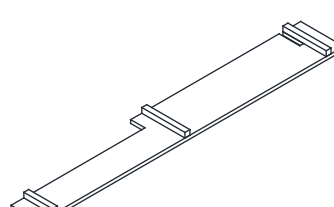
⑤ x 1

 $930 \times 132 \times 25$ mm

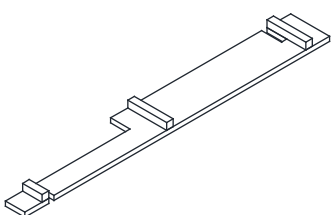
⑥ x 1

 $930 \times 132 \times 25$ mm

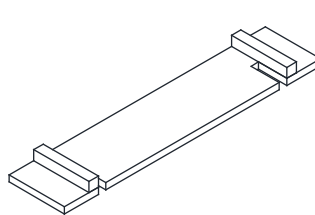
⑦ x 1

 $930 \times 132 \times 25$ mm

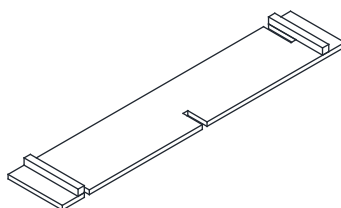
⑧ x 1

 $930 \times 132 \times 25$ mm

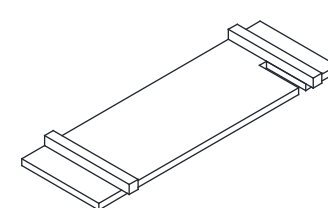
⑨ x 1

 $690 \times 132 \times 25$ mm

⑩ x 1

 $408 \times 132 \times 25$ mm

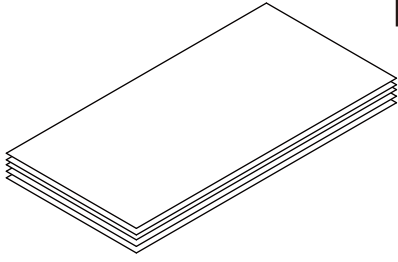
⑪ x 1

 $690 \times 132 \times 25$ mm

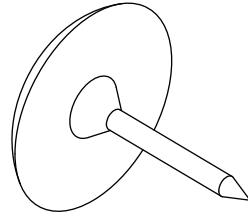
⑫ x 2

 $408 \times 132 \times 25$ mm

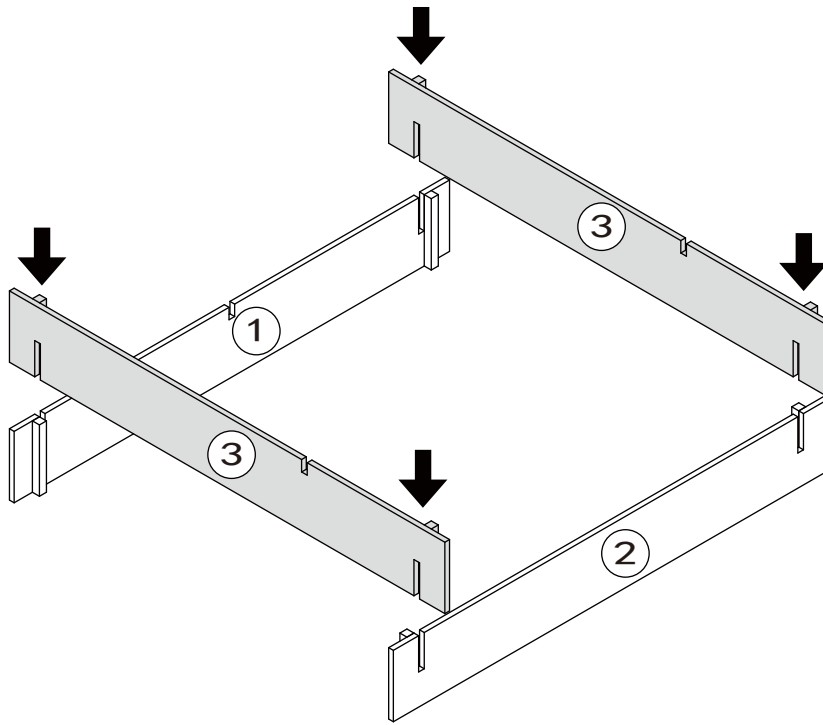
A x 1



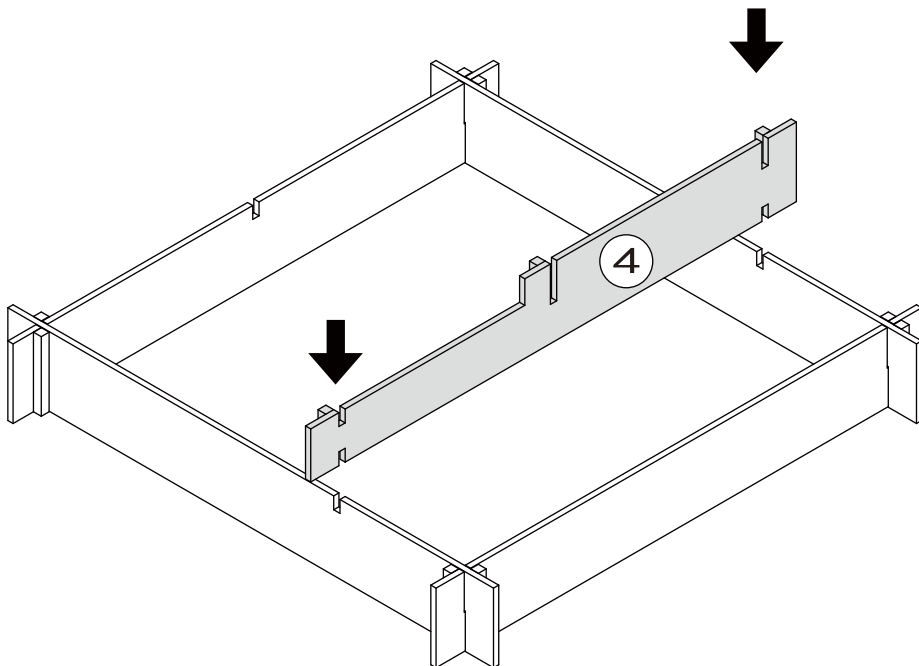
B x20
+2(spare)

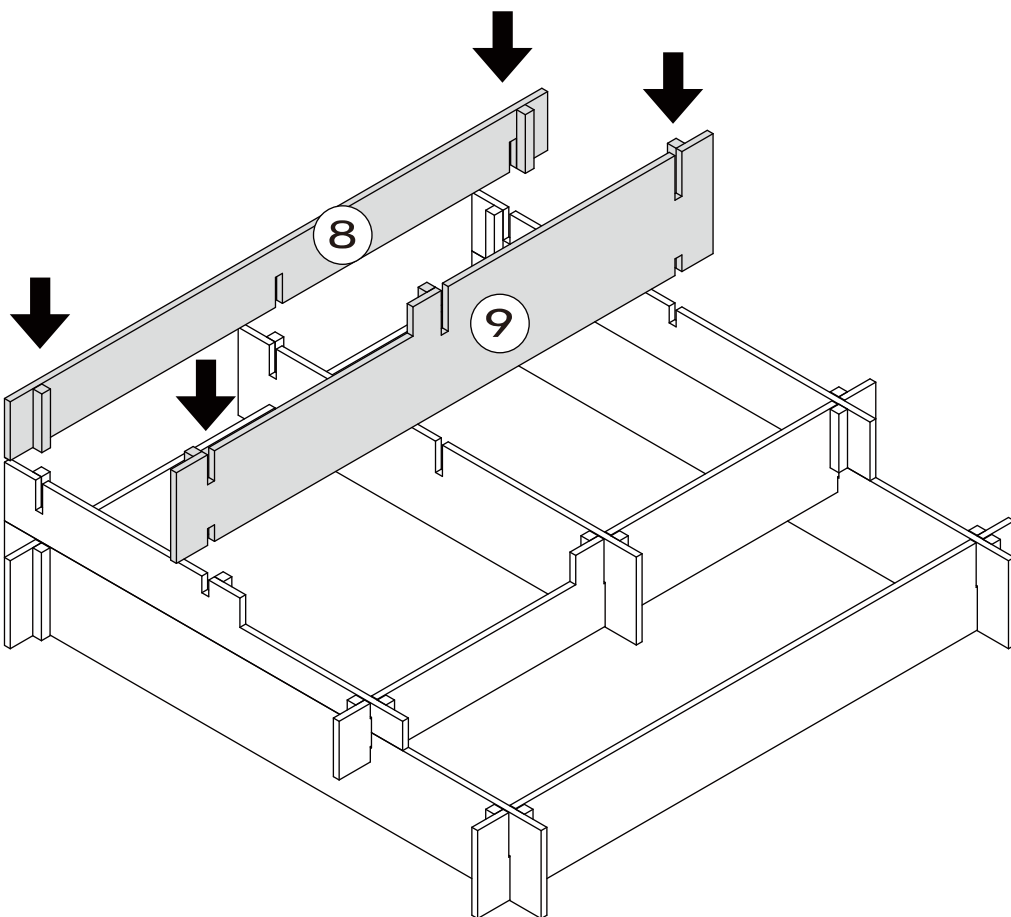
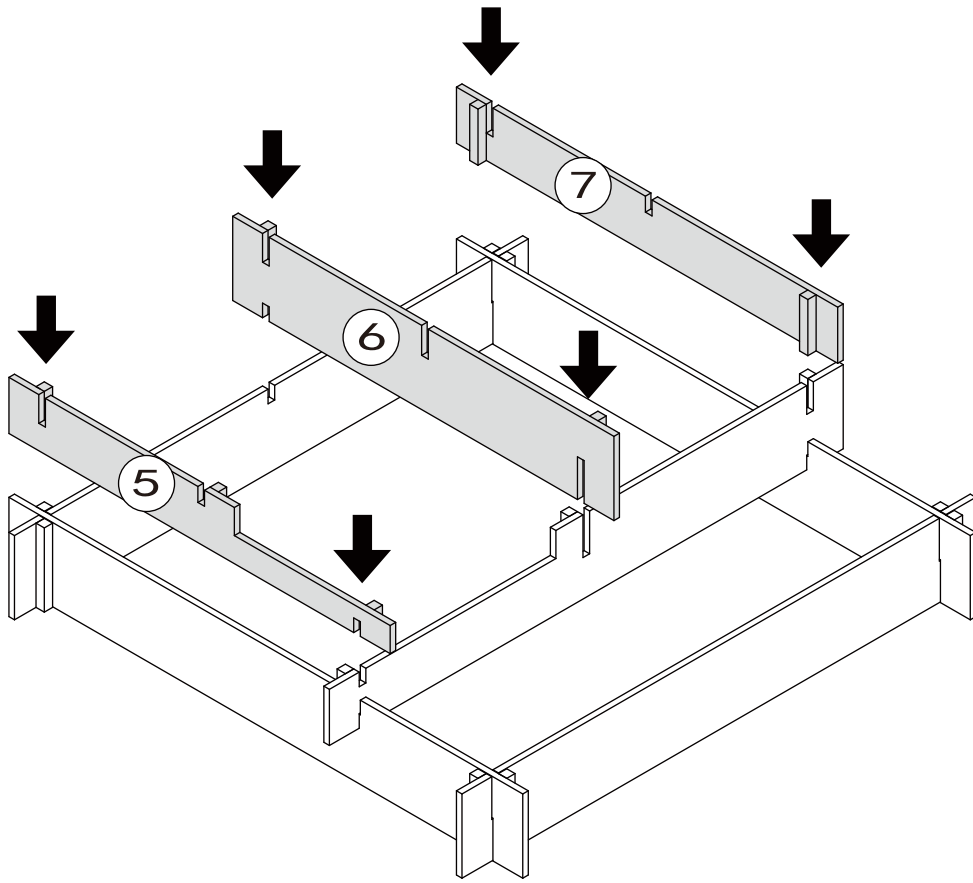


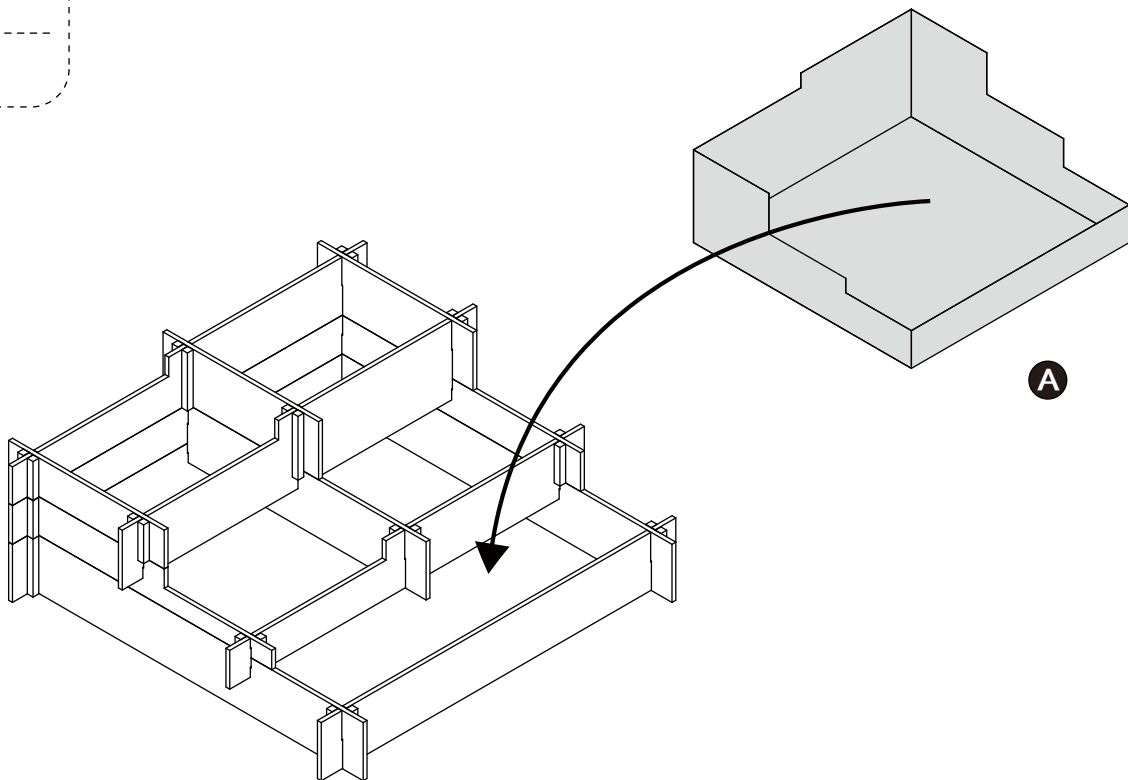
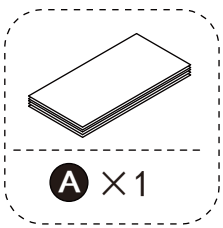
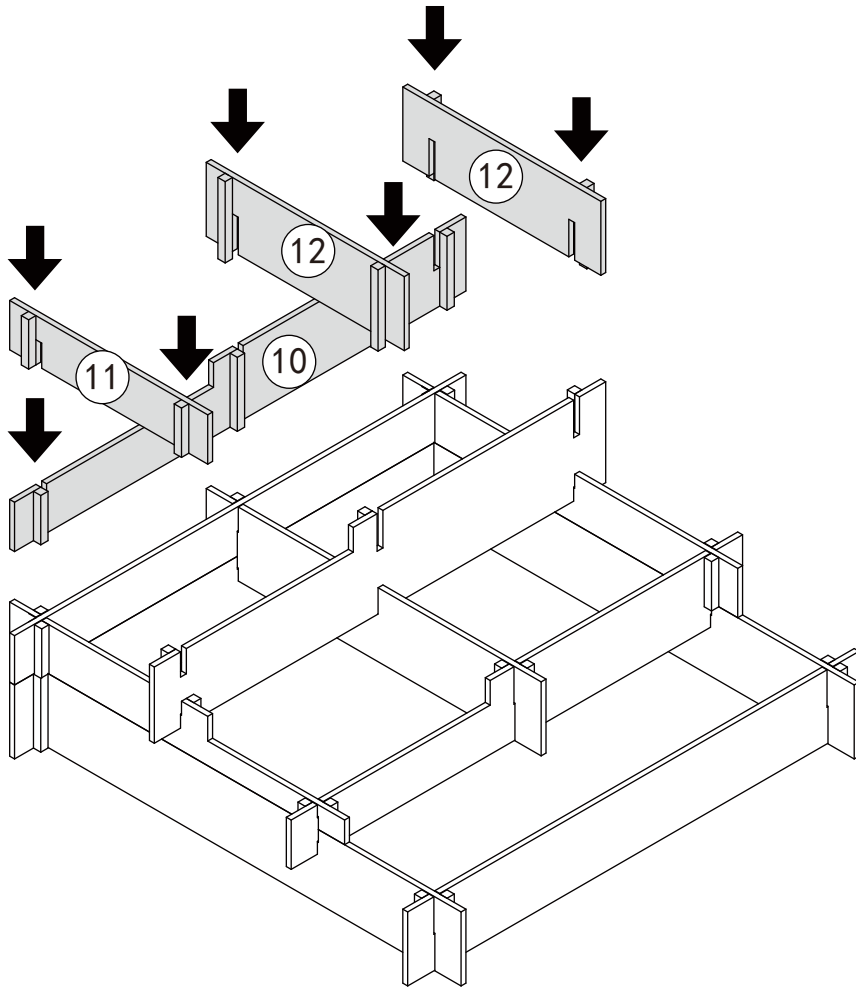
01




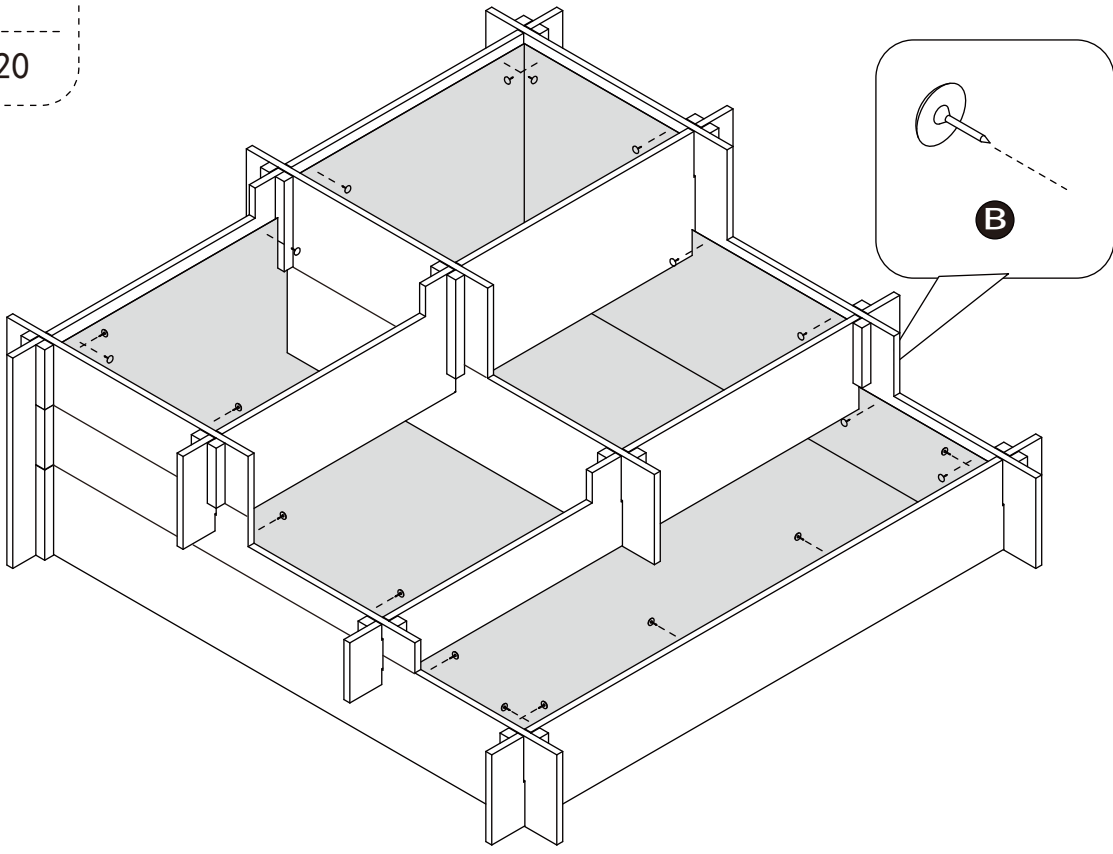
02









B × 20




B

