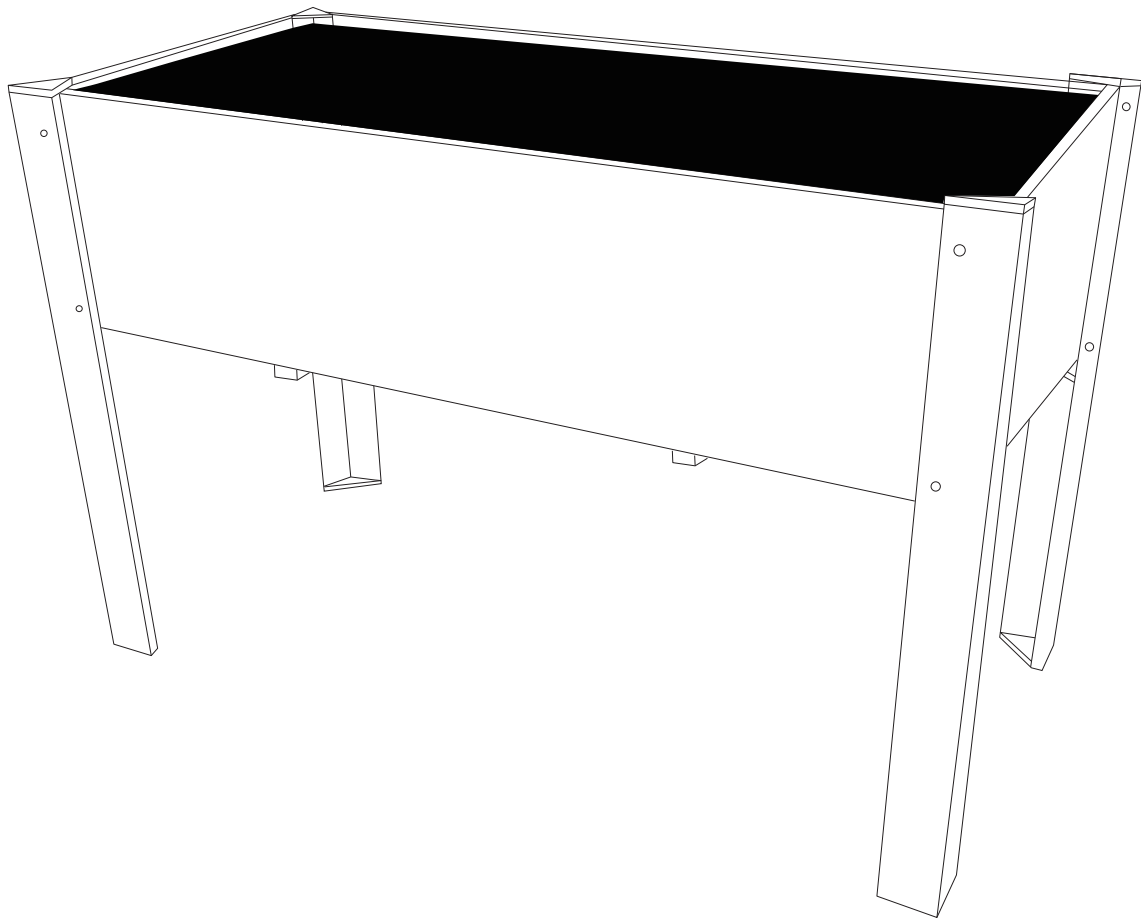




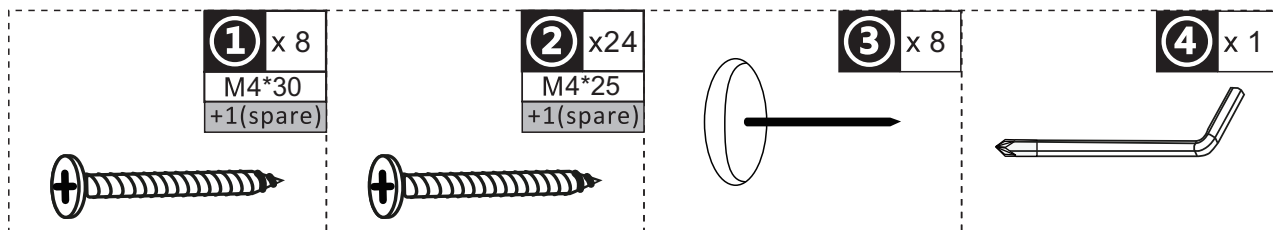
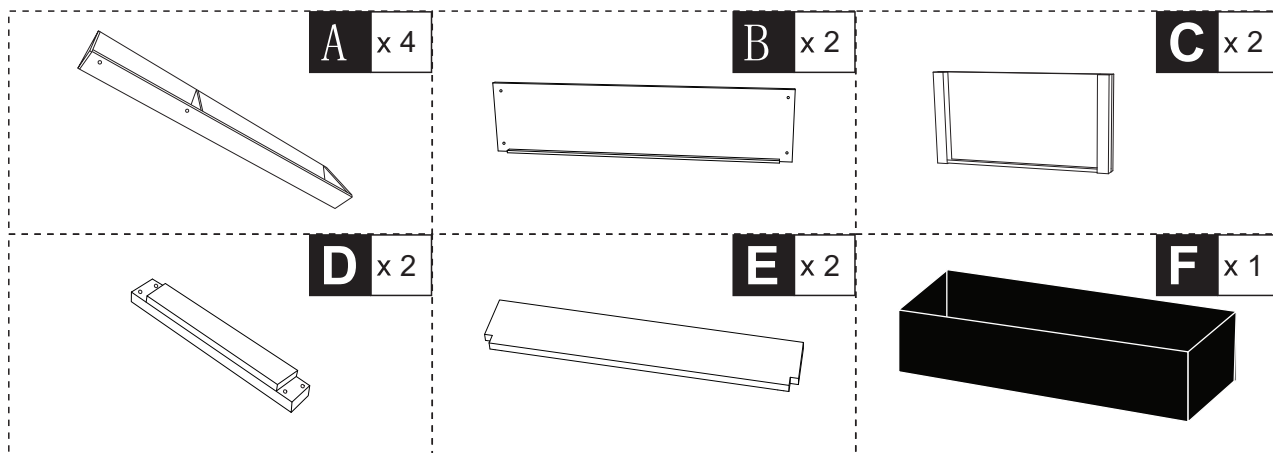
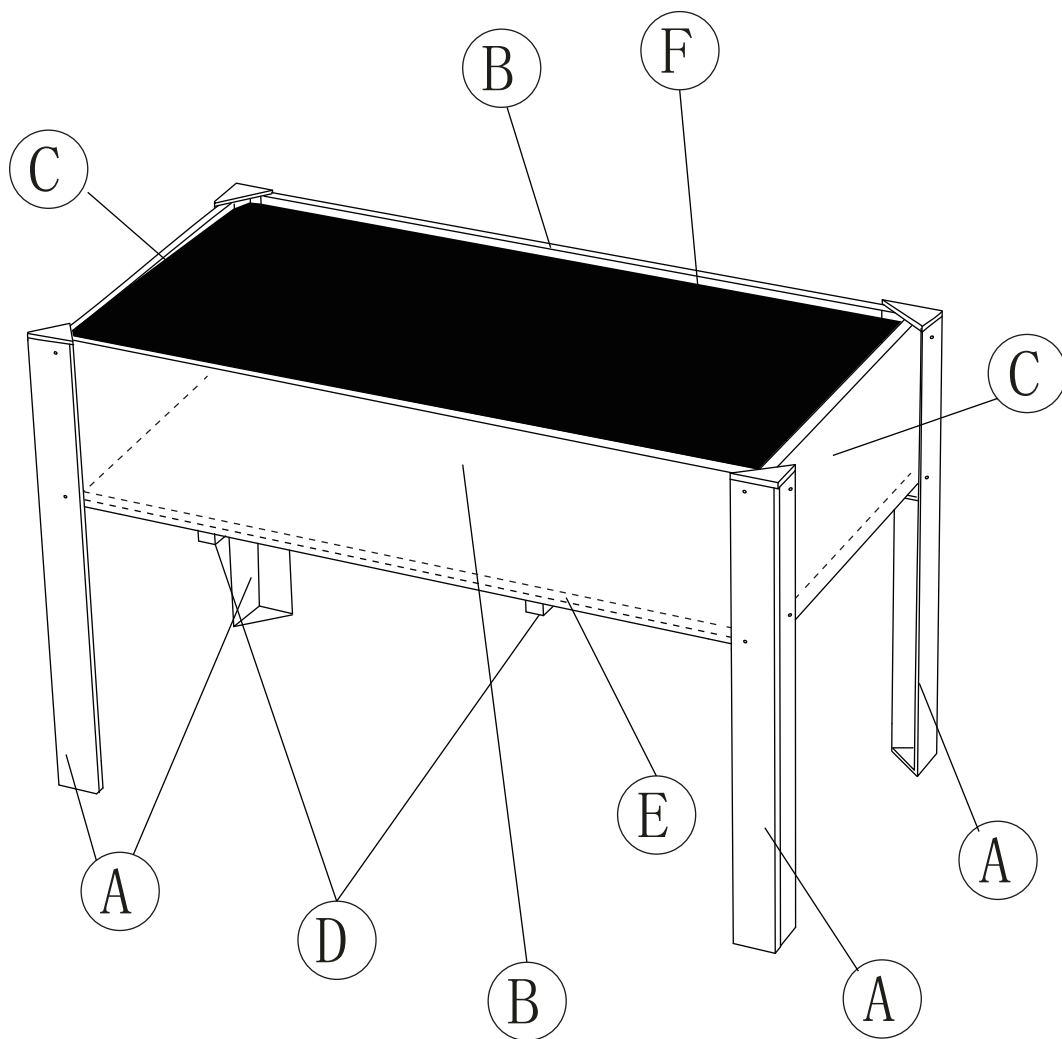
INbmb107_GL

845-531

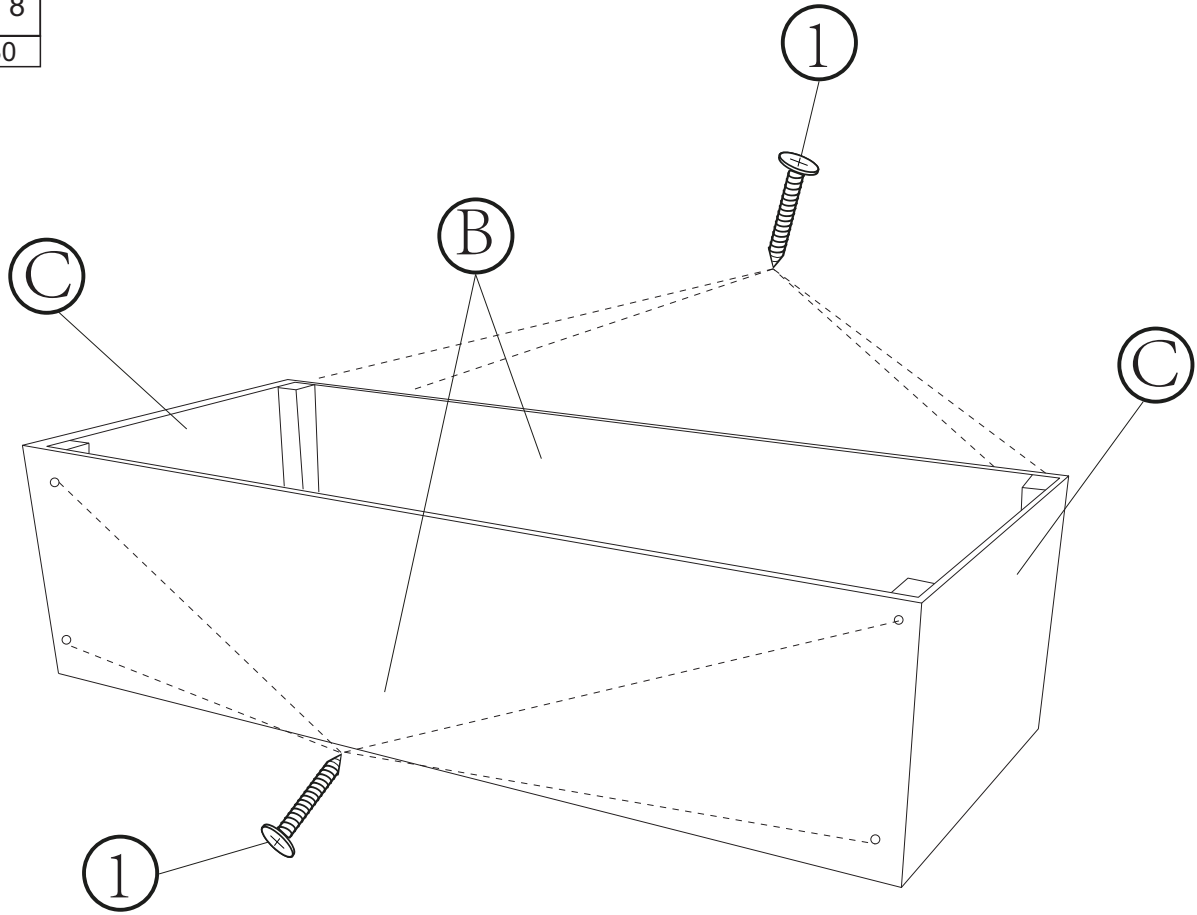


IMPORTANT, RETAIN FOR FUTURE REFERENCE: READ CAREFULLY

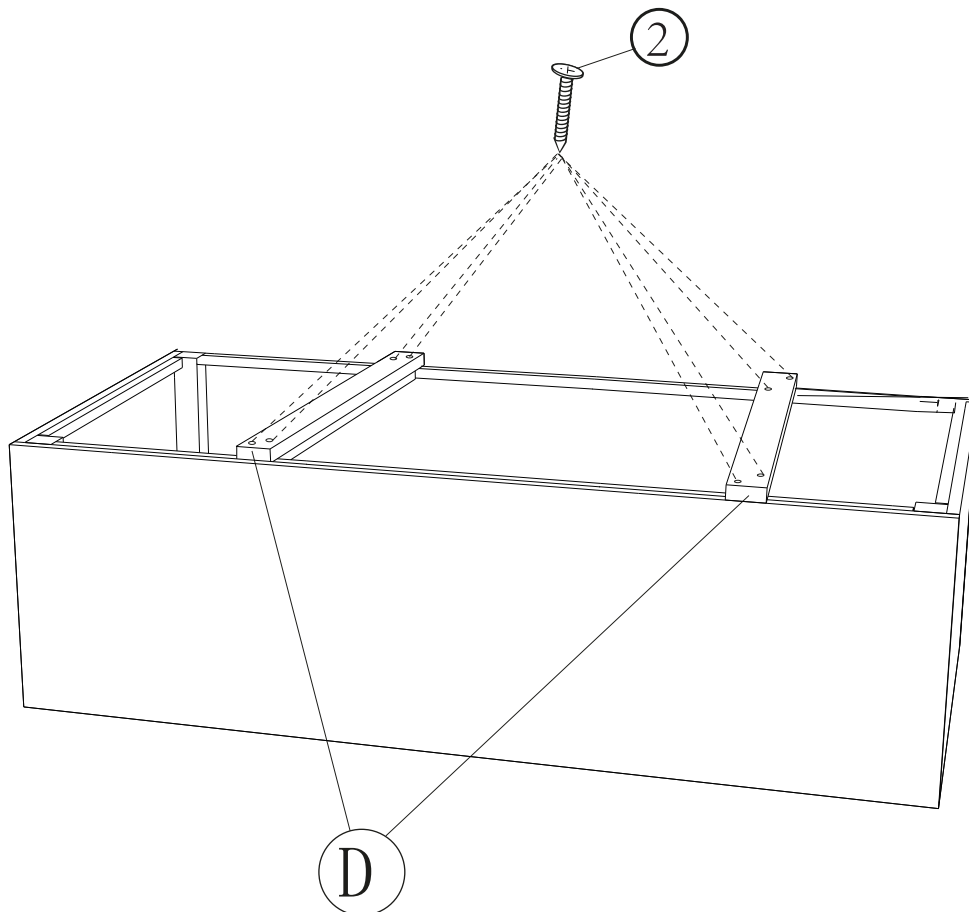
ASSEMBLY & INSTRUCTION MANUAL



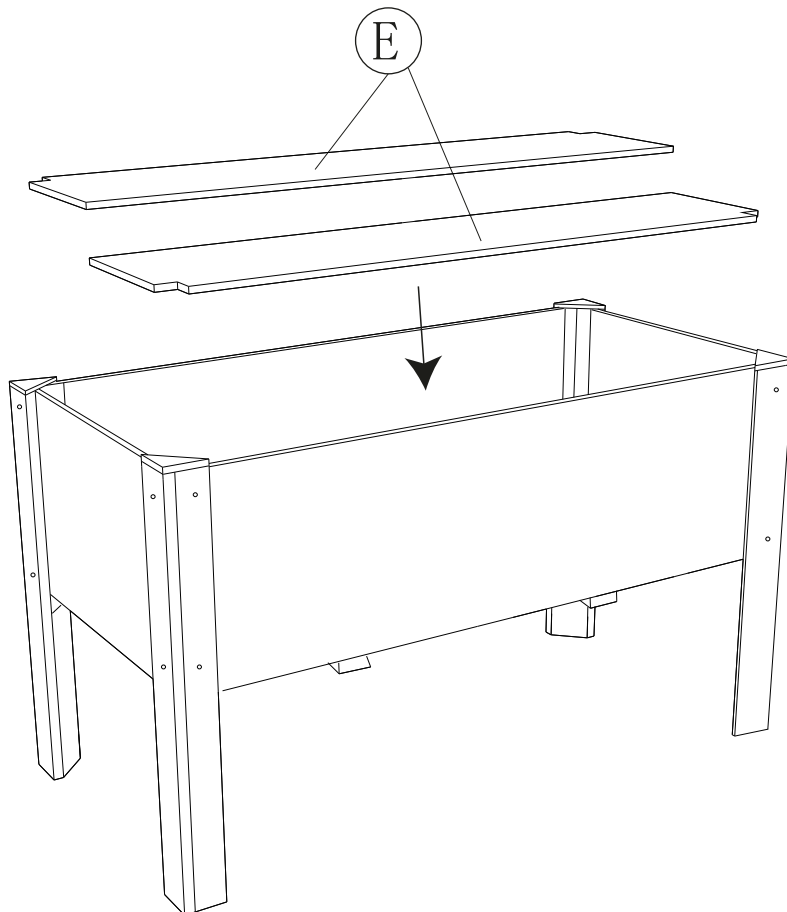
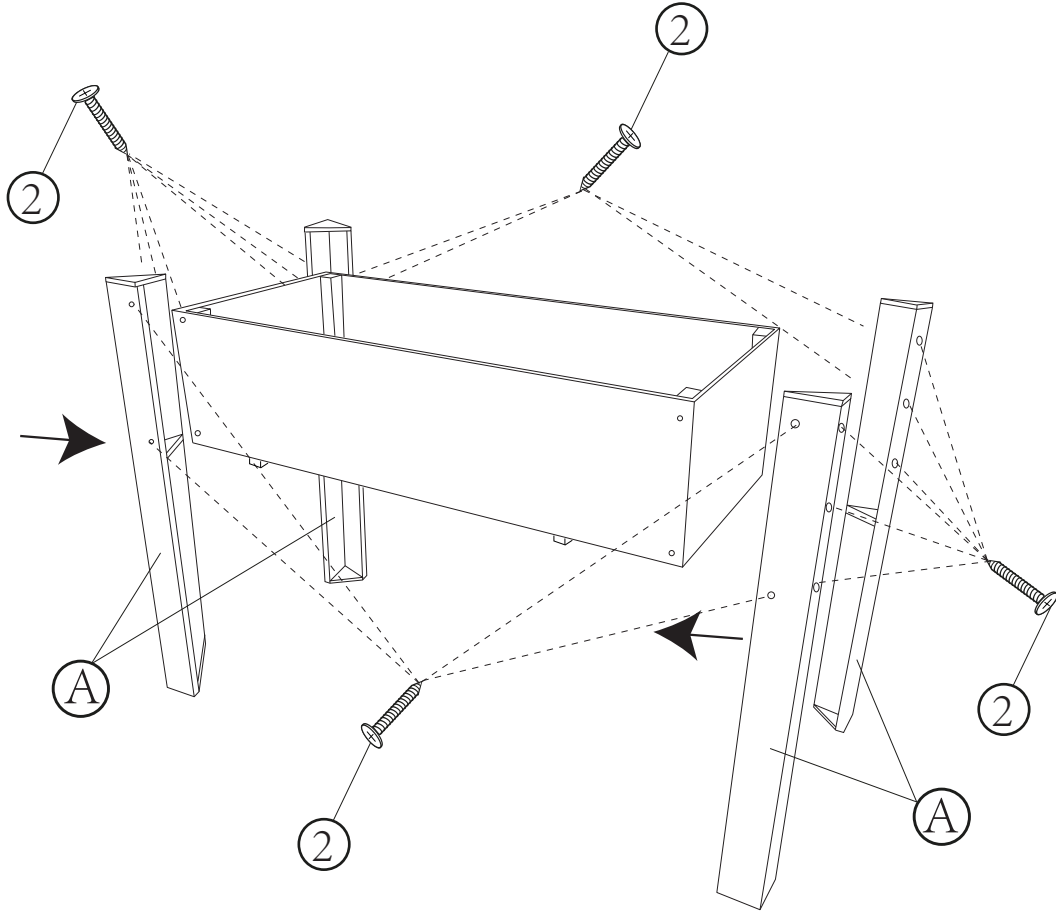
1 x 8
M4*30

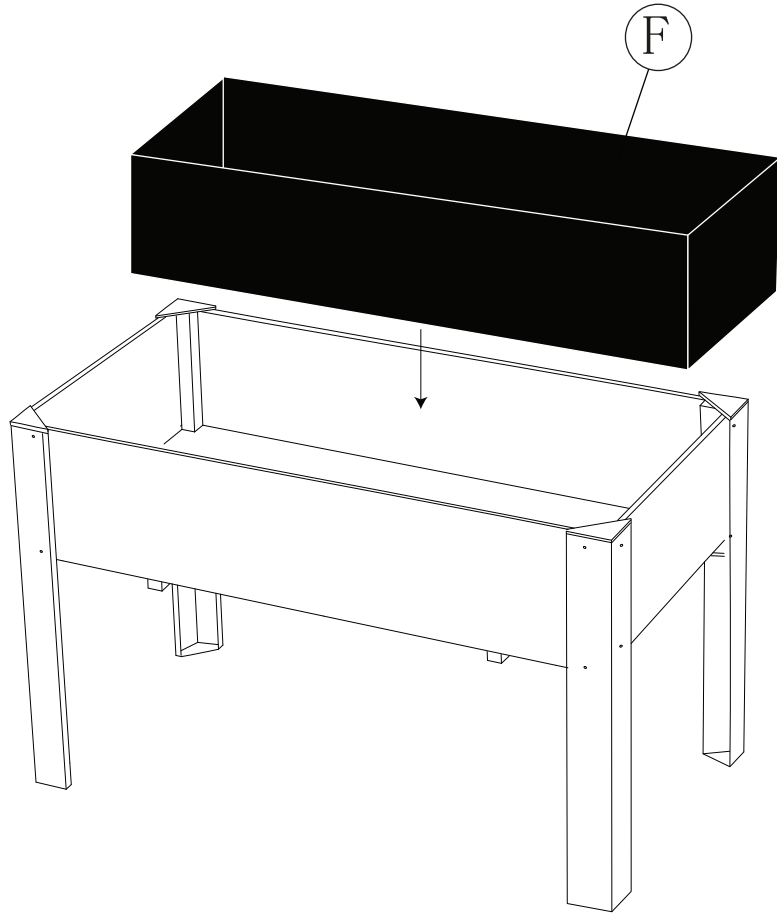


2 x 8
M4*25

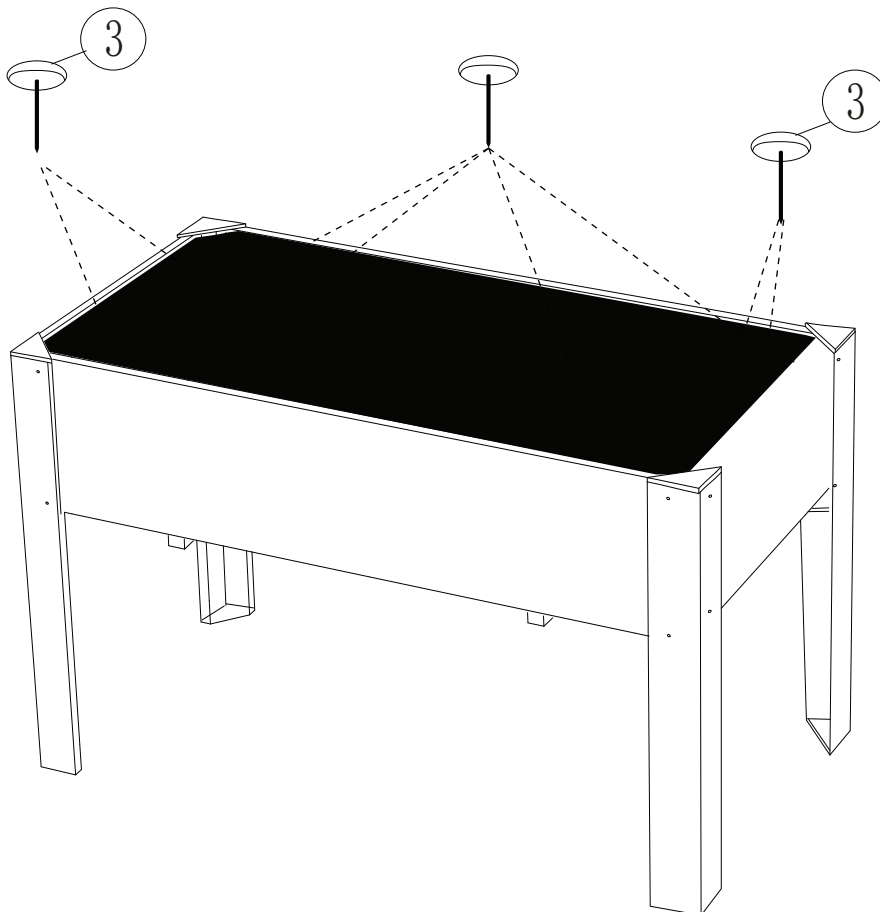


2 x16
M4*25





3 x 8



Done