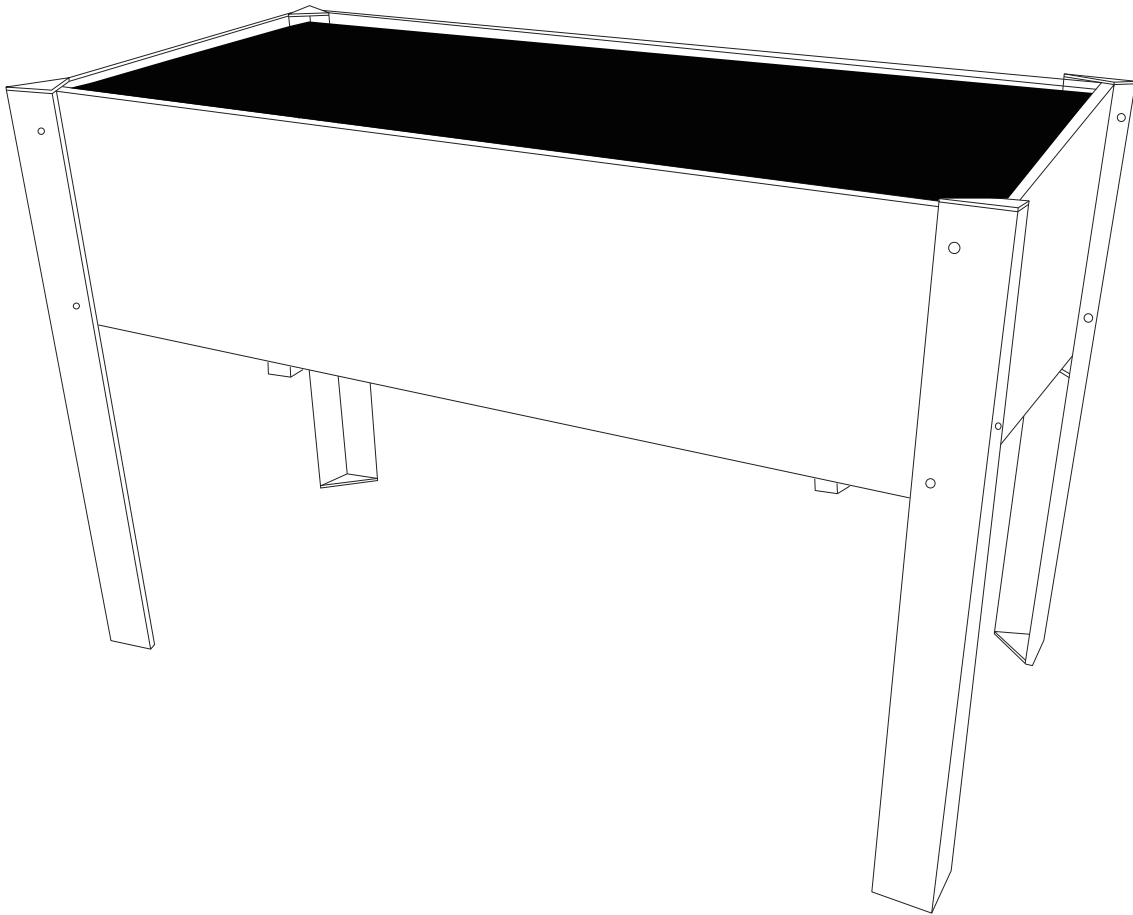




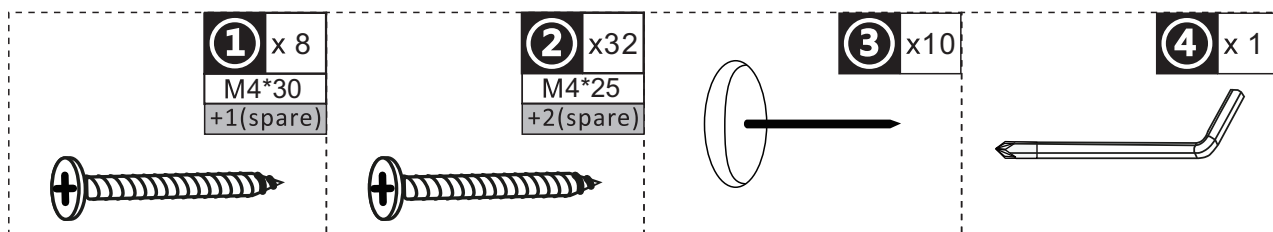
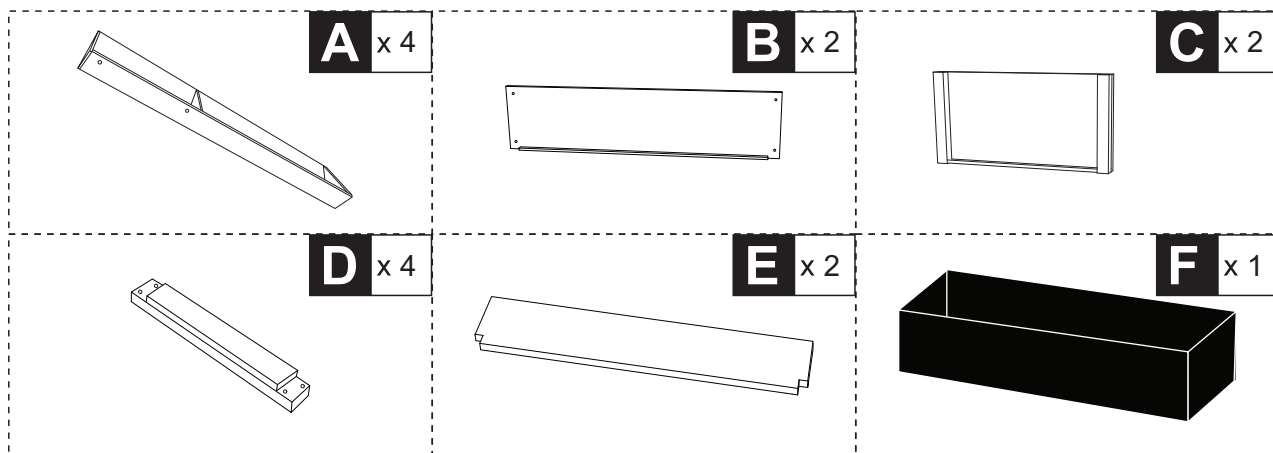
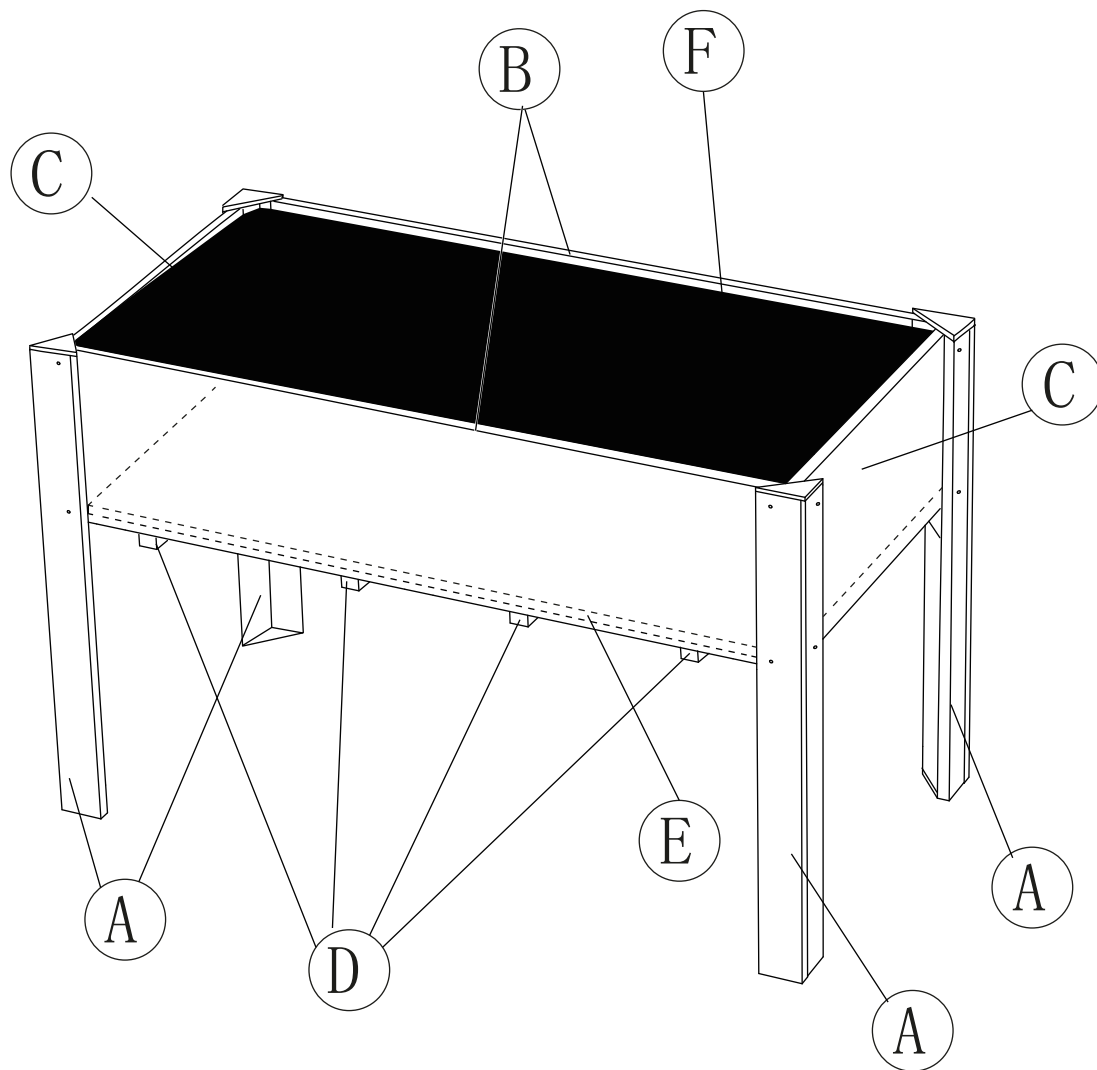
INbmb109_GL

845-531V02

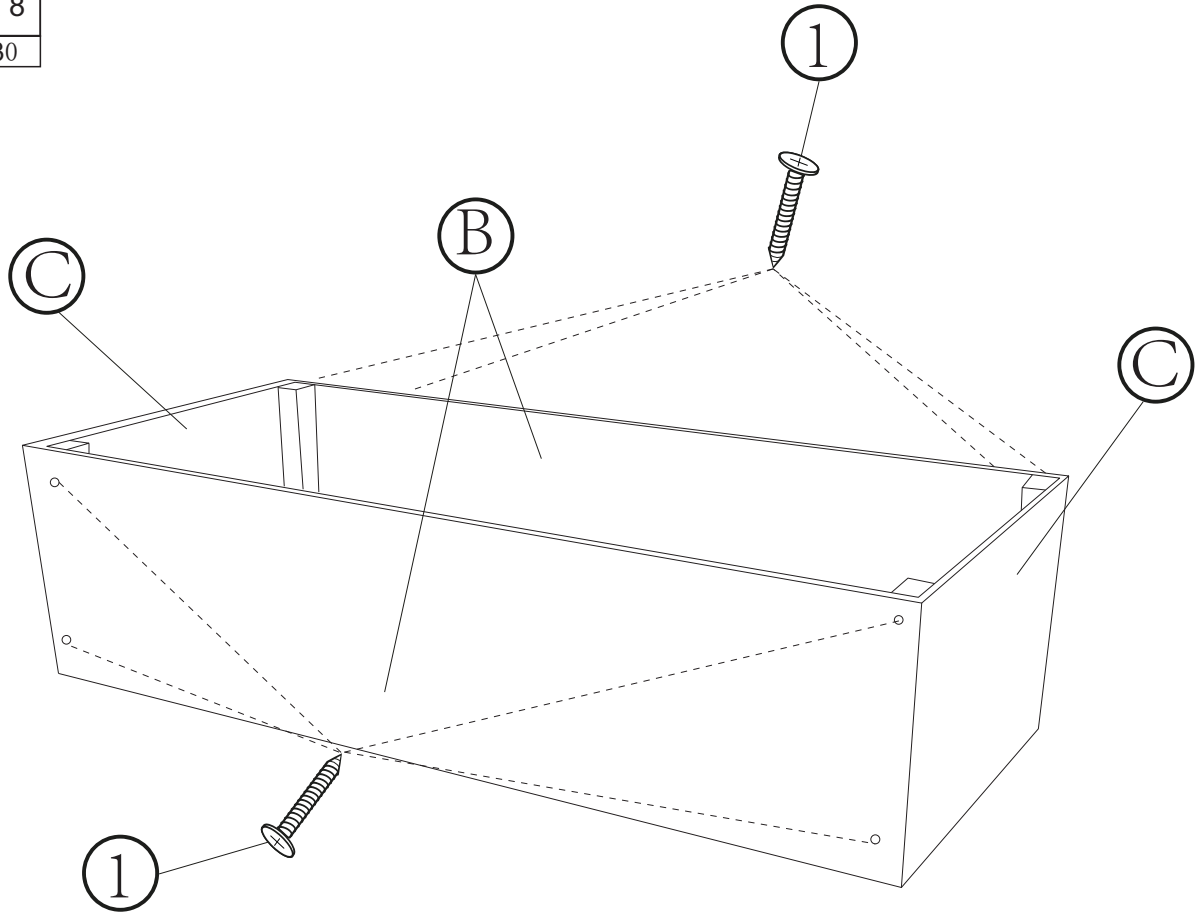


IMPORTANT, RETAIN FOR FUTURE REFERENCE: READ CAREFULLY

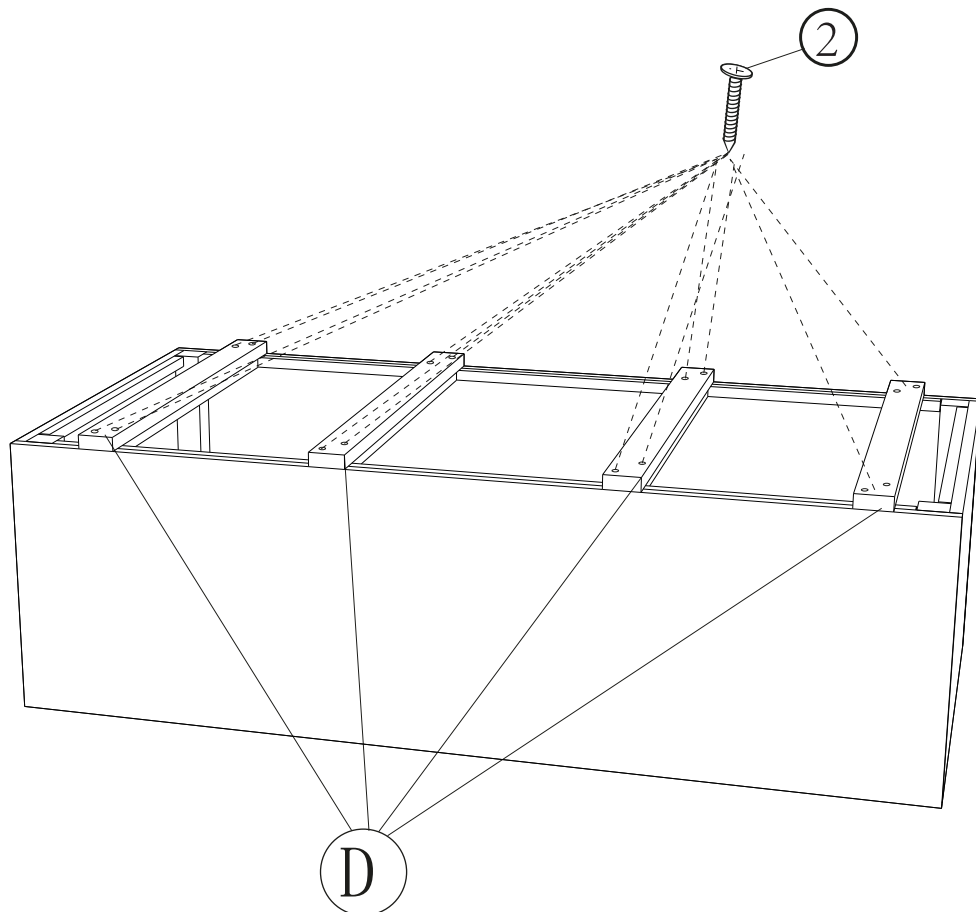
ASSEMBLY & INSTRUCTION MANUAL



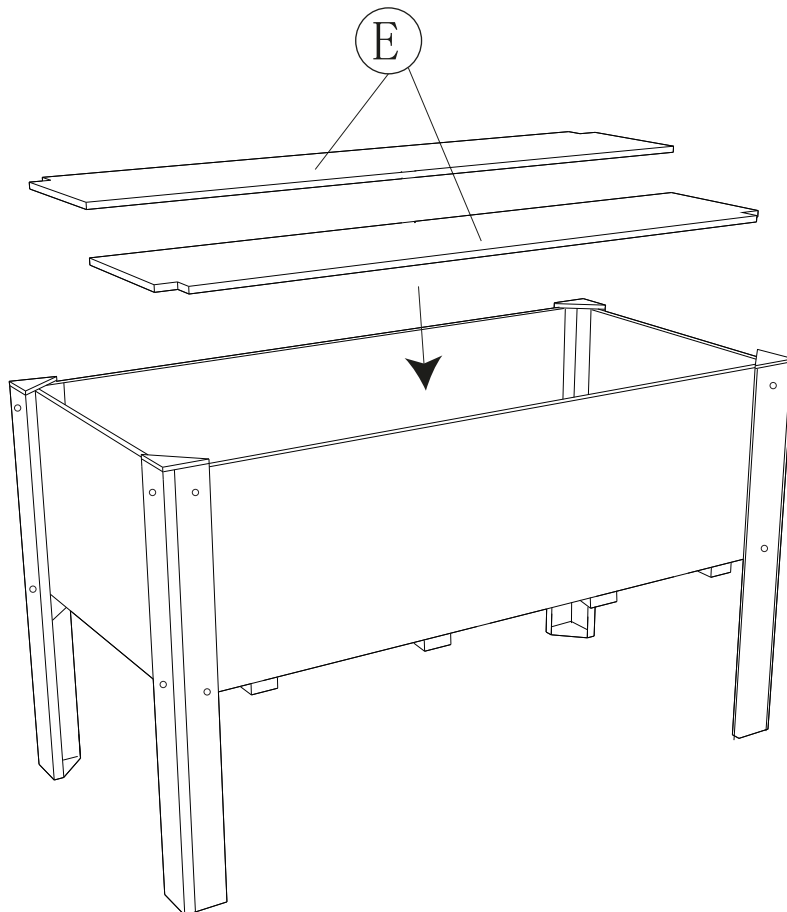
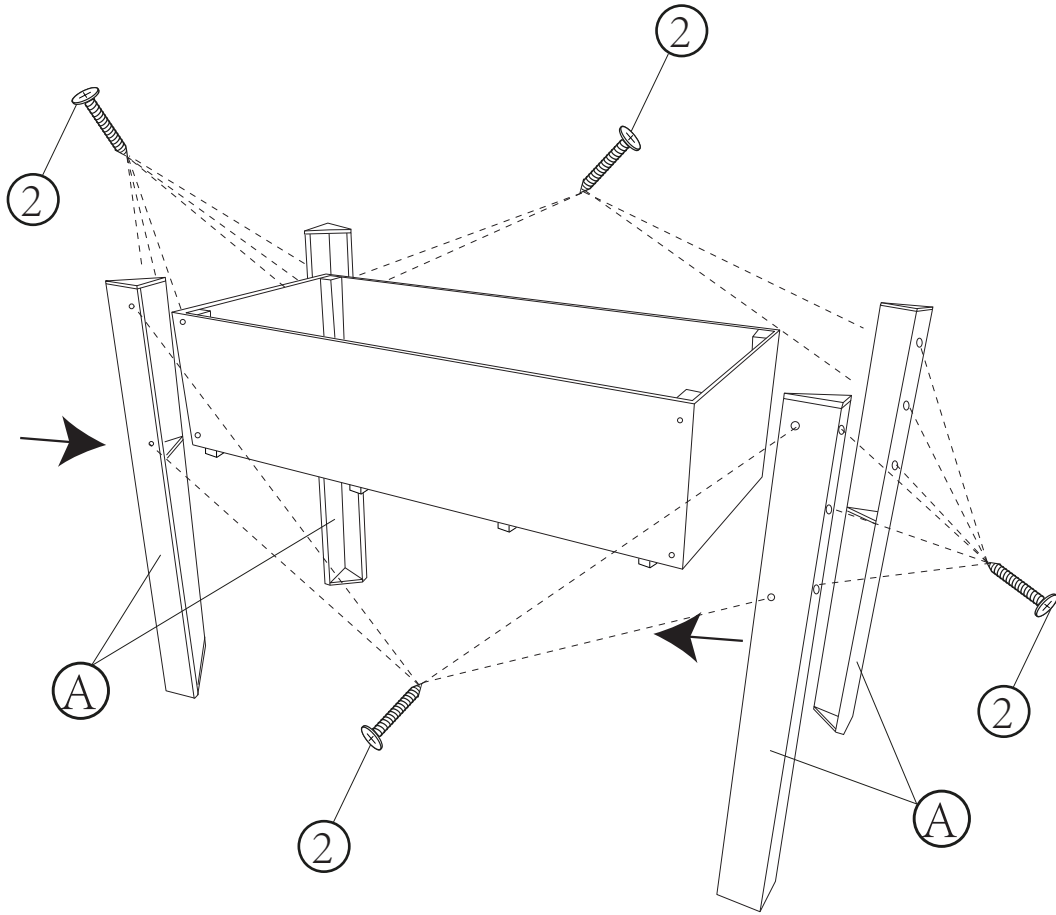
① x 8
M4*30

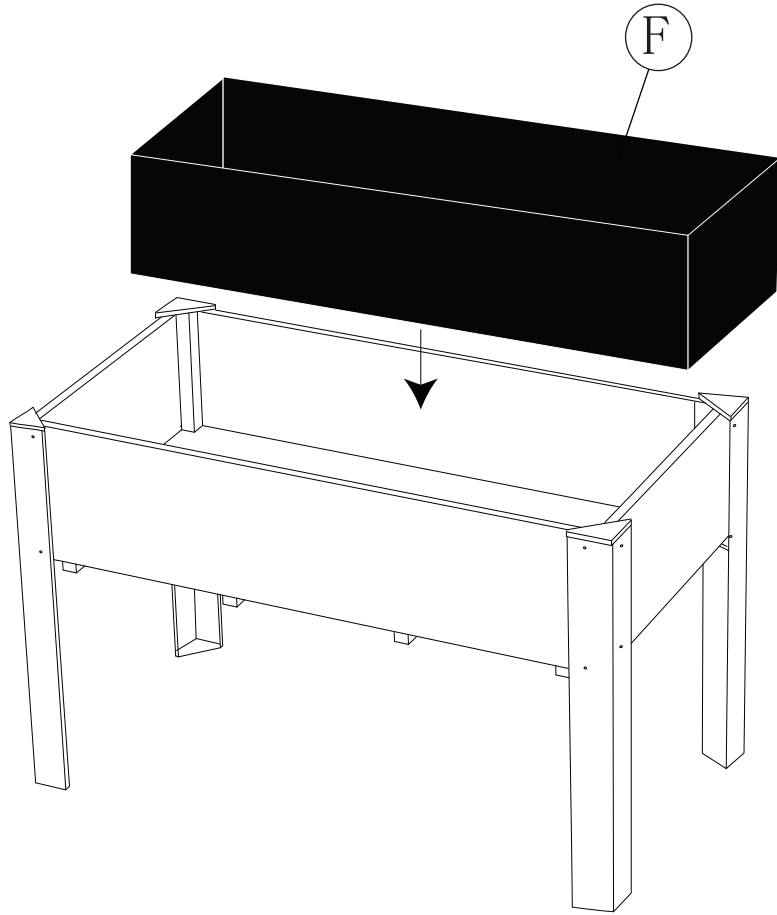


② x 16
M4*25

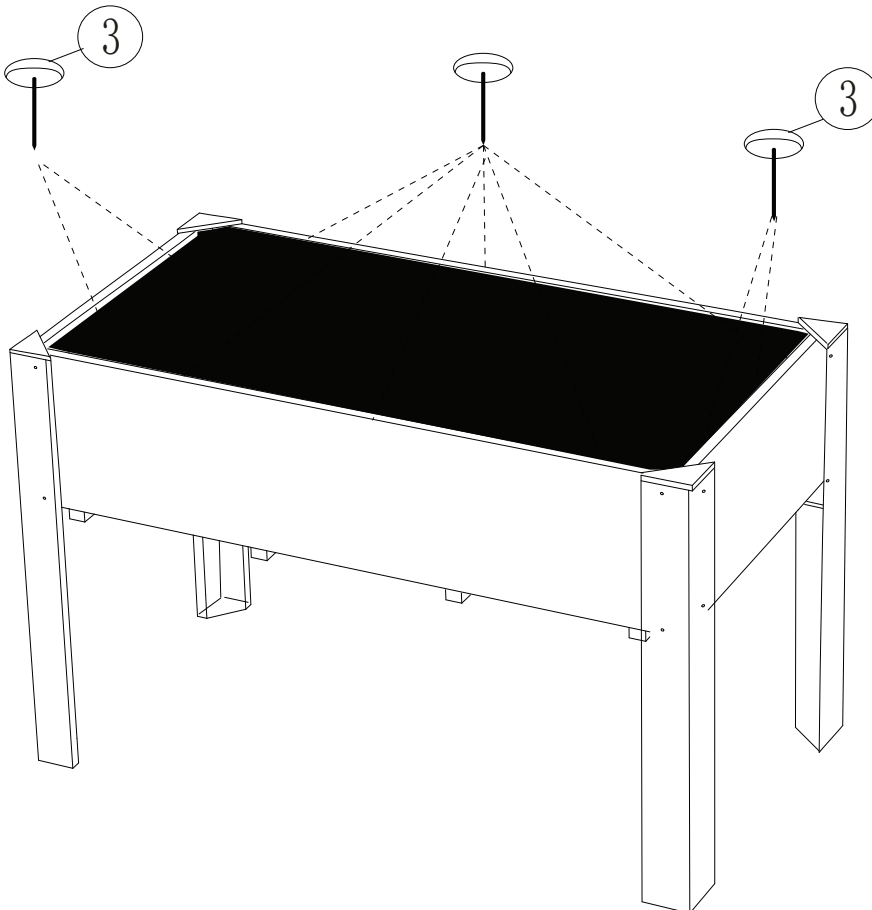


2 x16
M4*25





3 x10



Done