



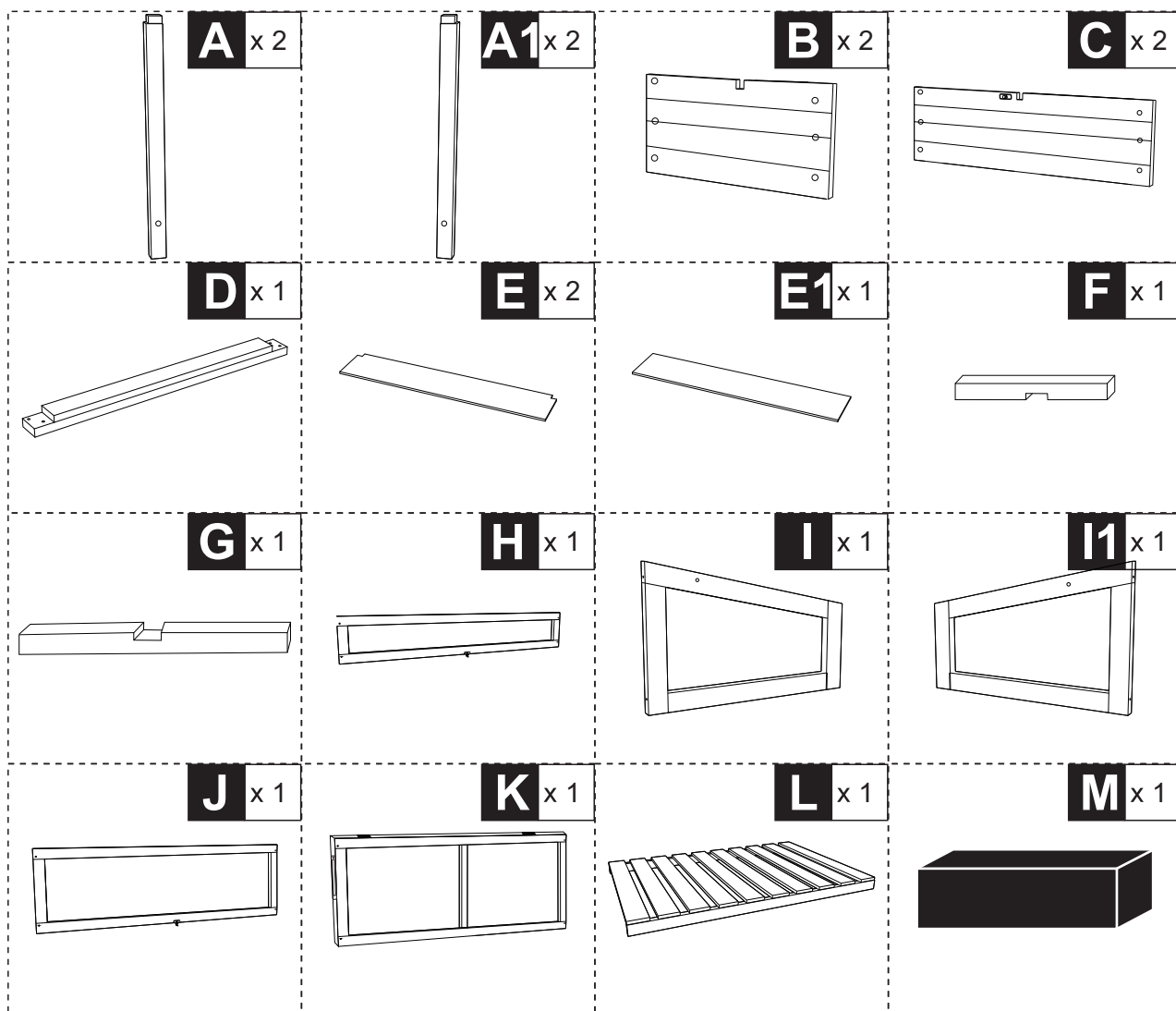
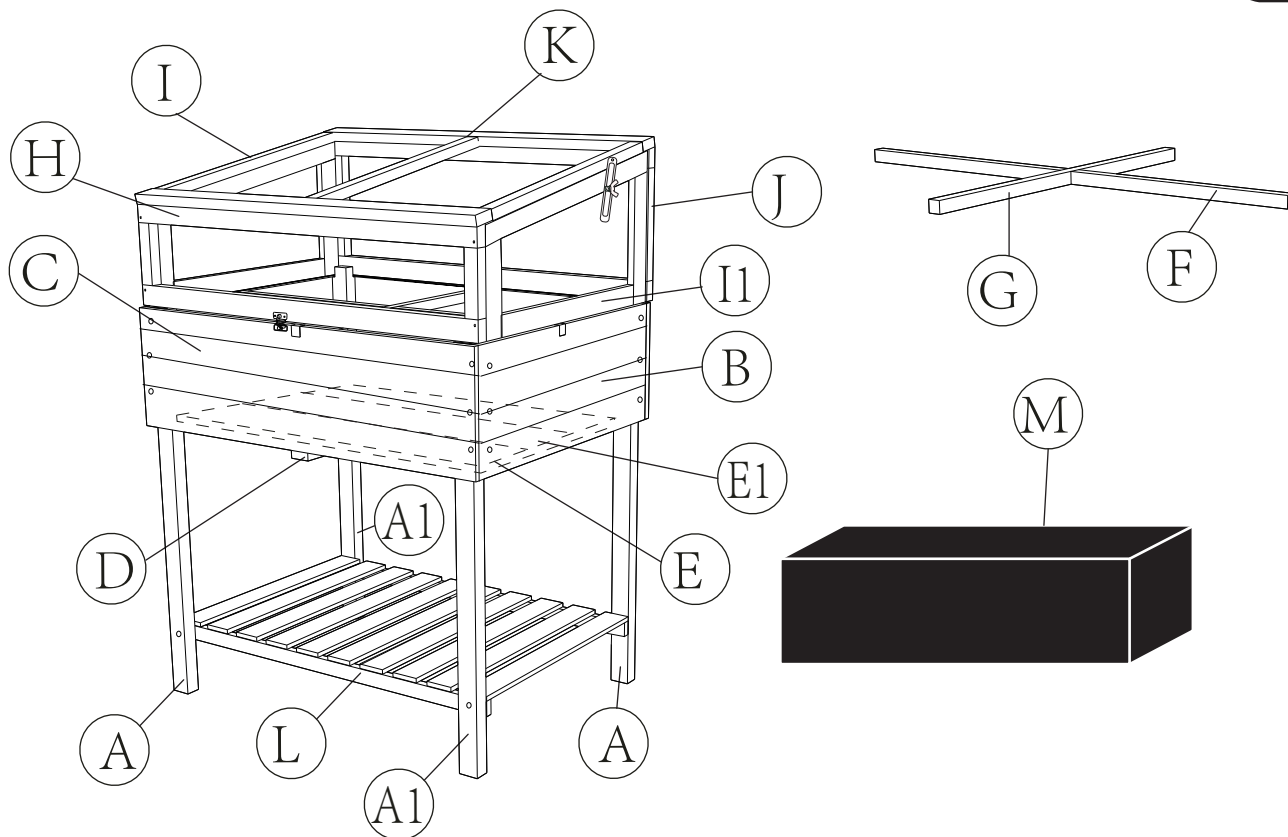
INbmb110_GL

845-679

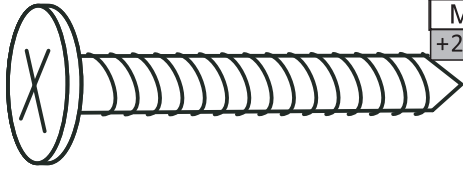


IMPORTANT, RETAIN FOR FUTURE REFERENCE: READ CAREFULLY

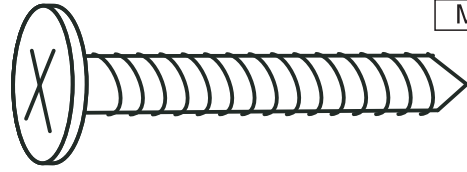
ASSEMBLY & INSTRUCTION MANUAL



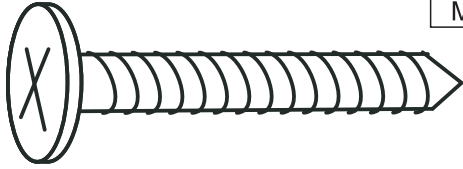
① x36
M4*40
+2(spare)



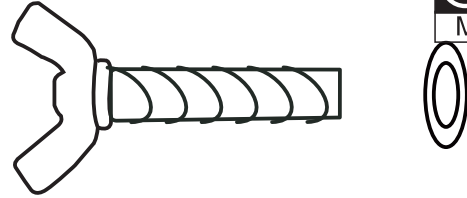
② x 4
M4*25



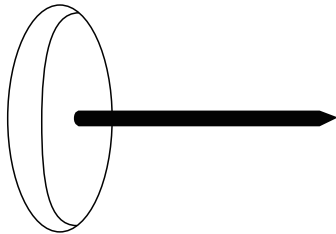
③ x 4
M3*14



④ x 2
M6*12



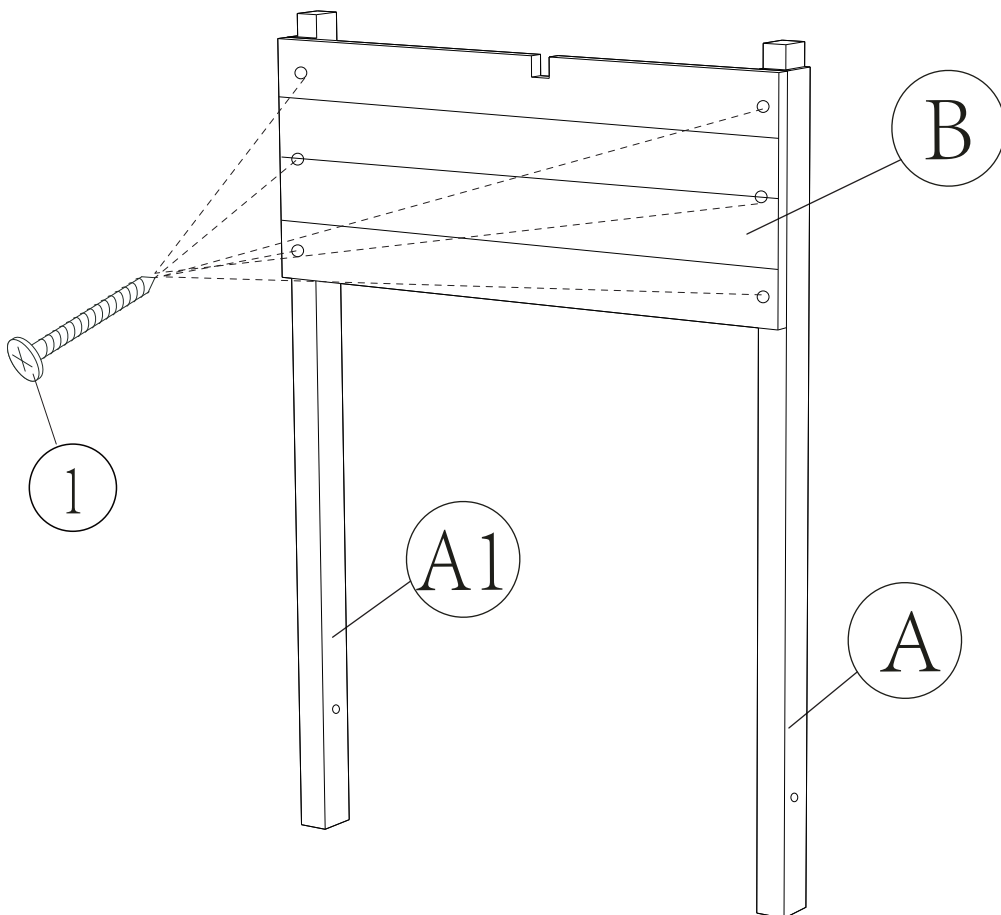
⑤ x 8



⑥ x 1

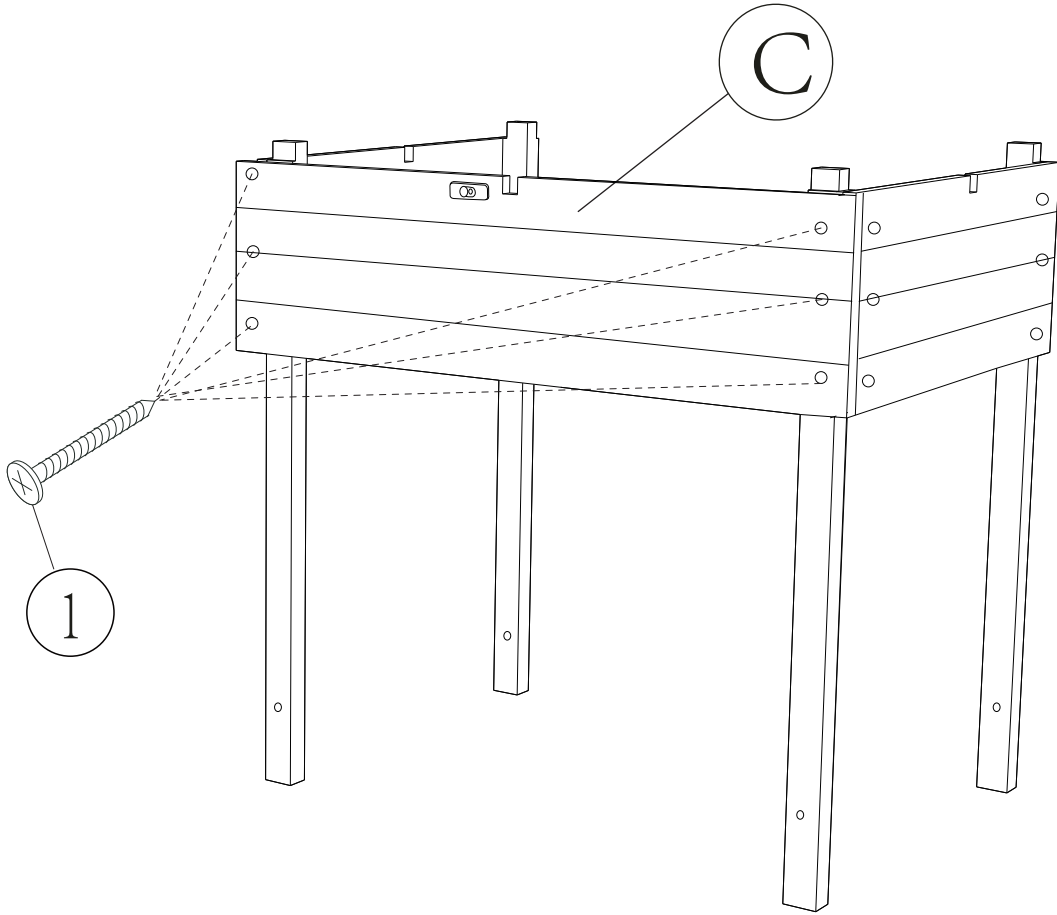


① x 6
M4*40

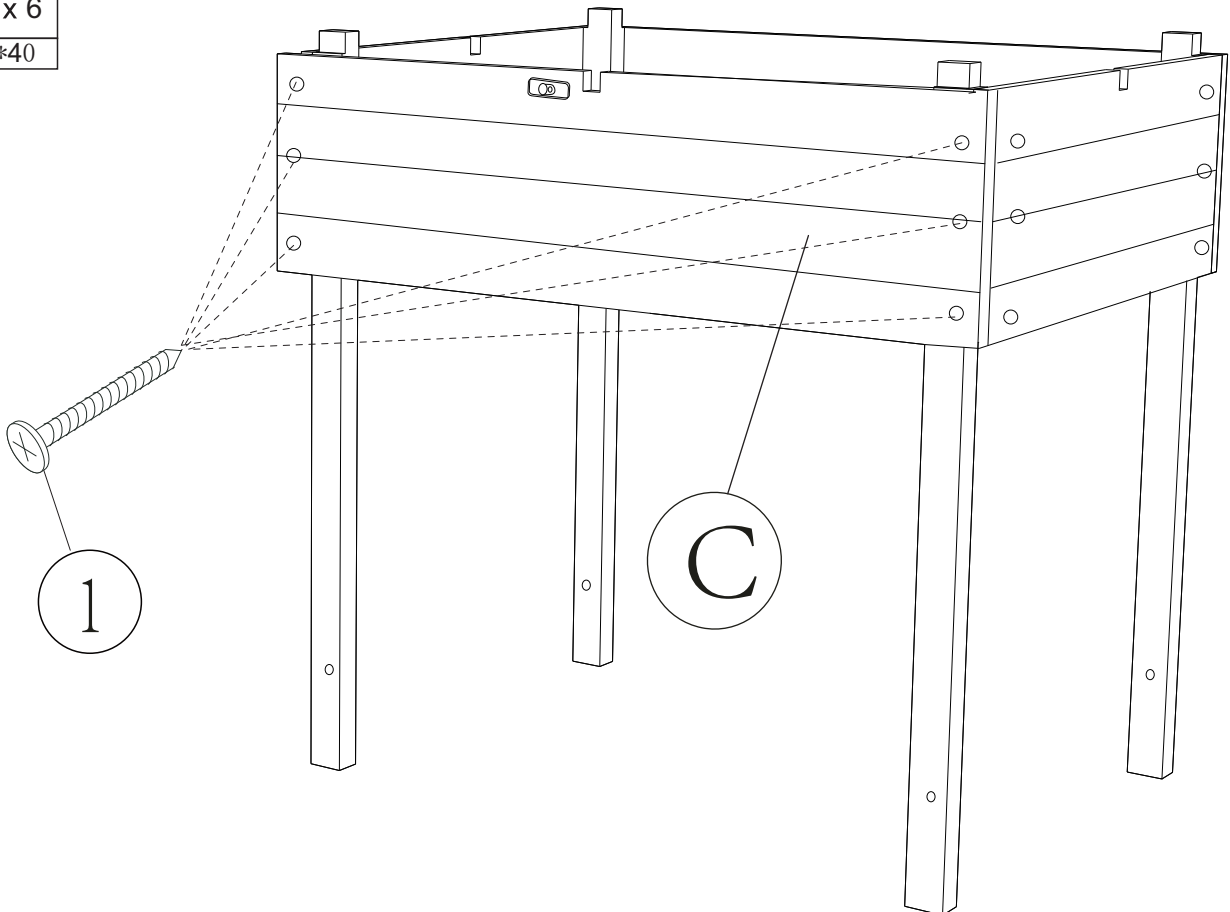


x2

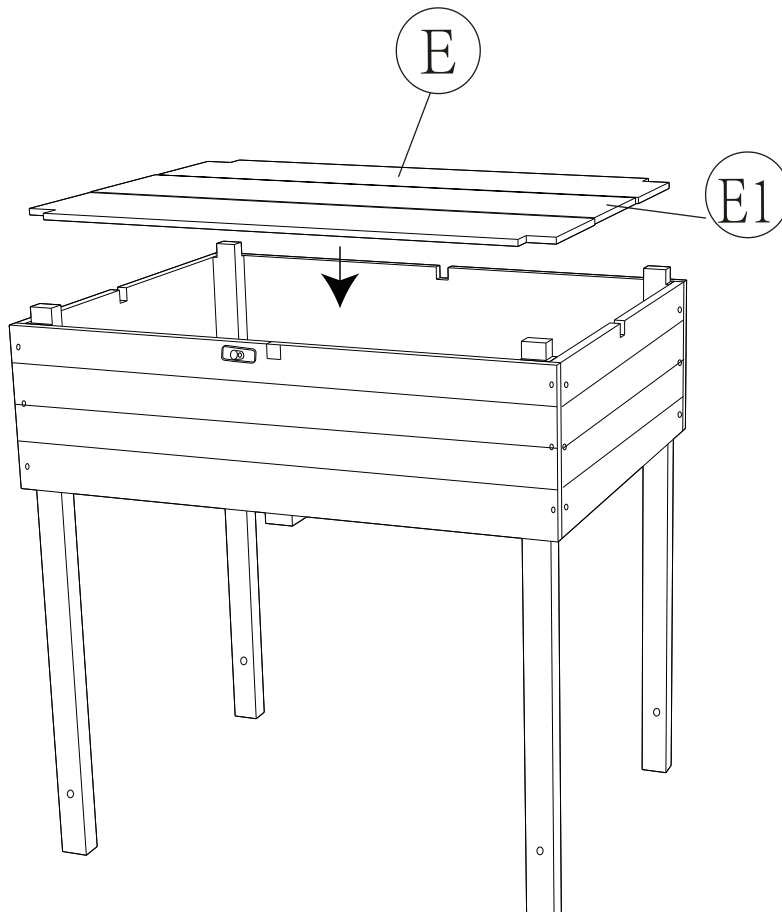
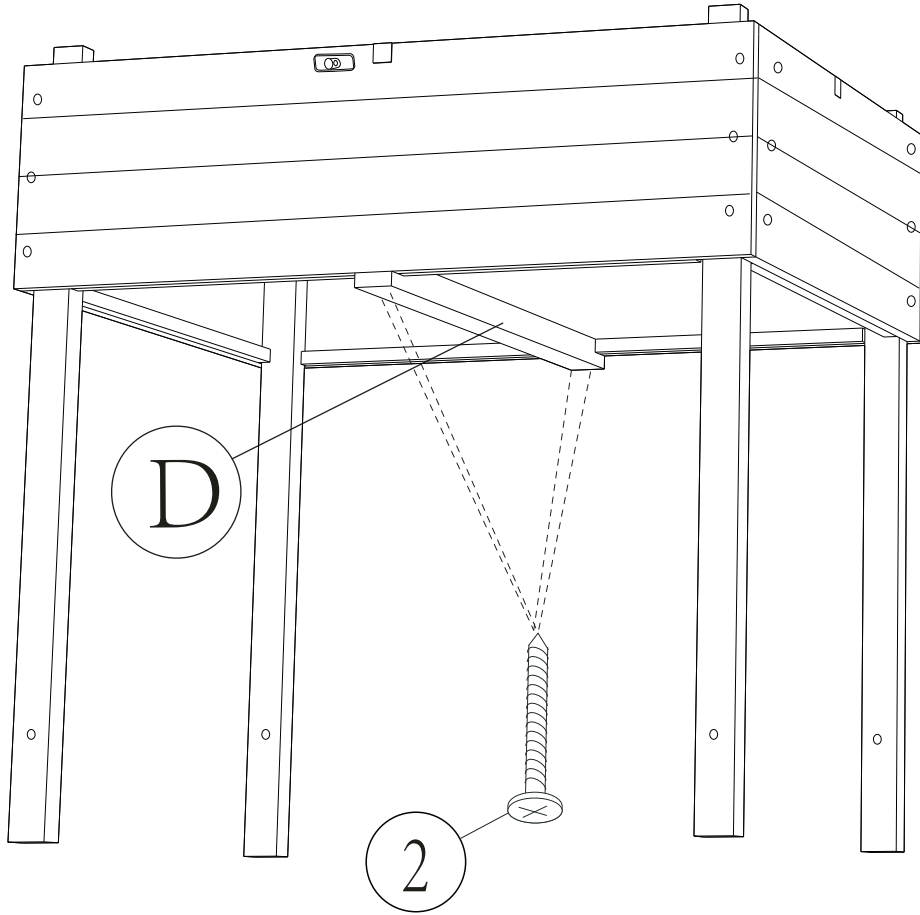
1 x 6
M4*40



1 x 6
M4*40

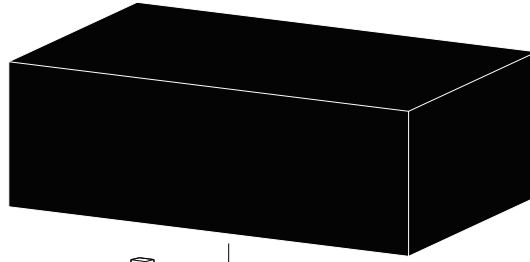
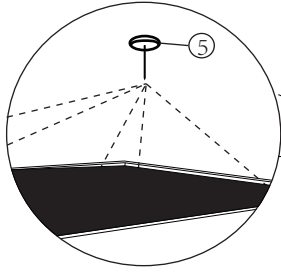


2 x 4
M4*25

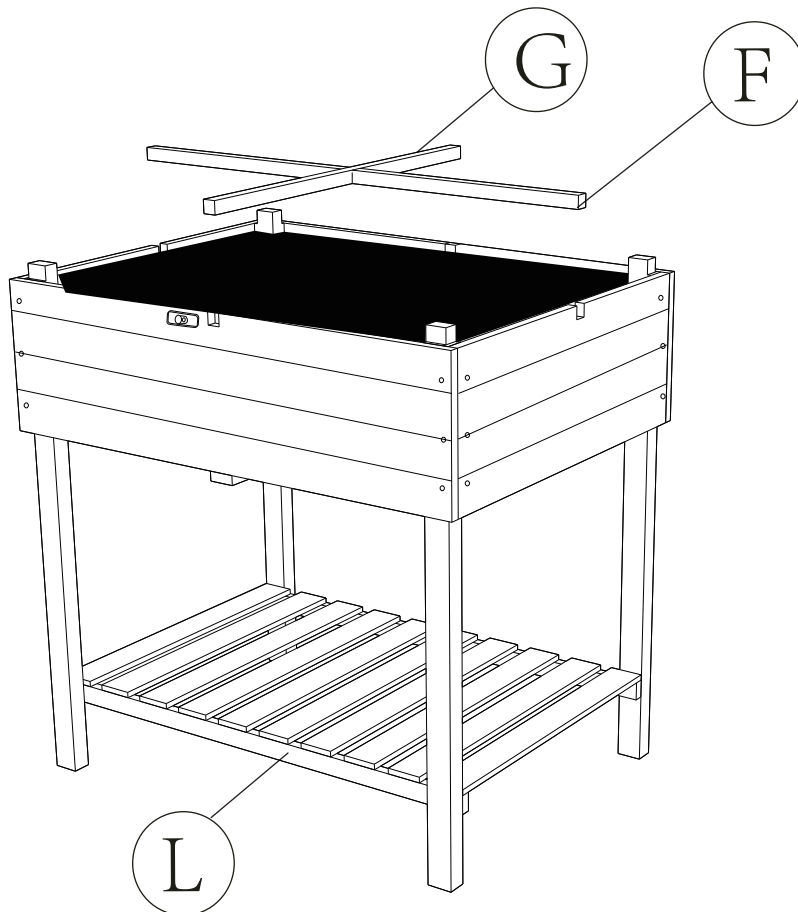
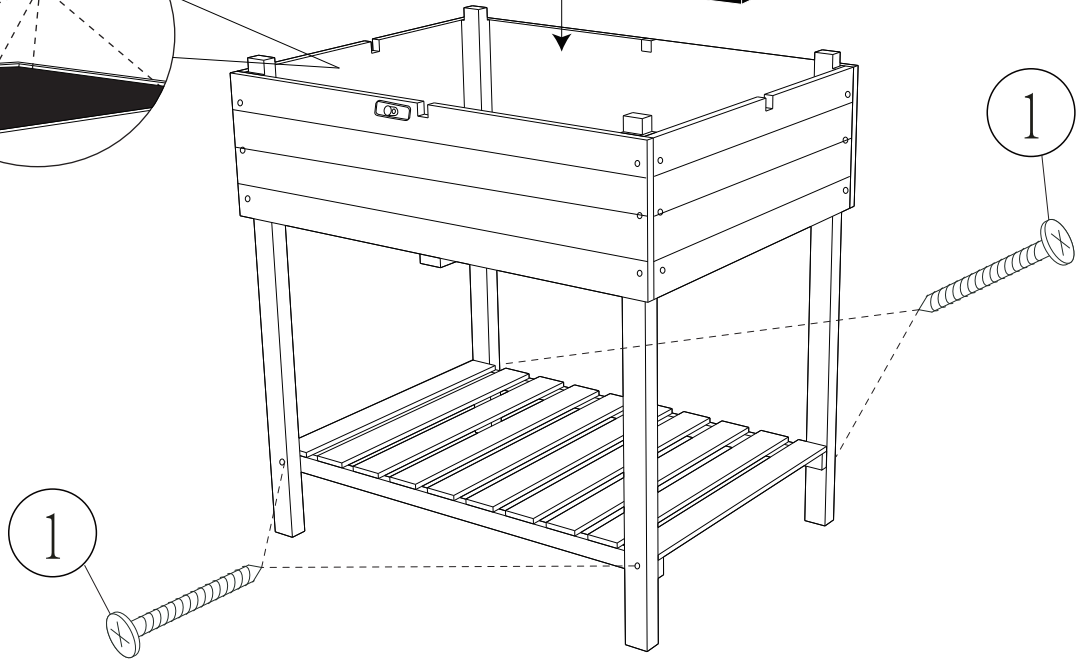


1 x 4
M4*40

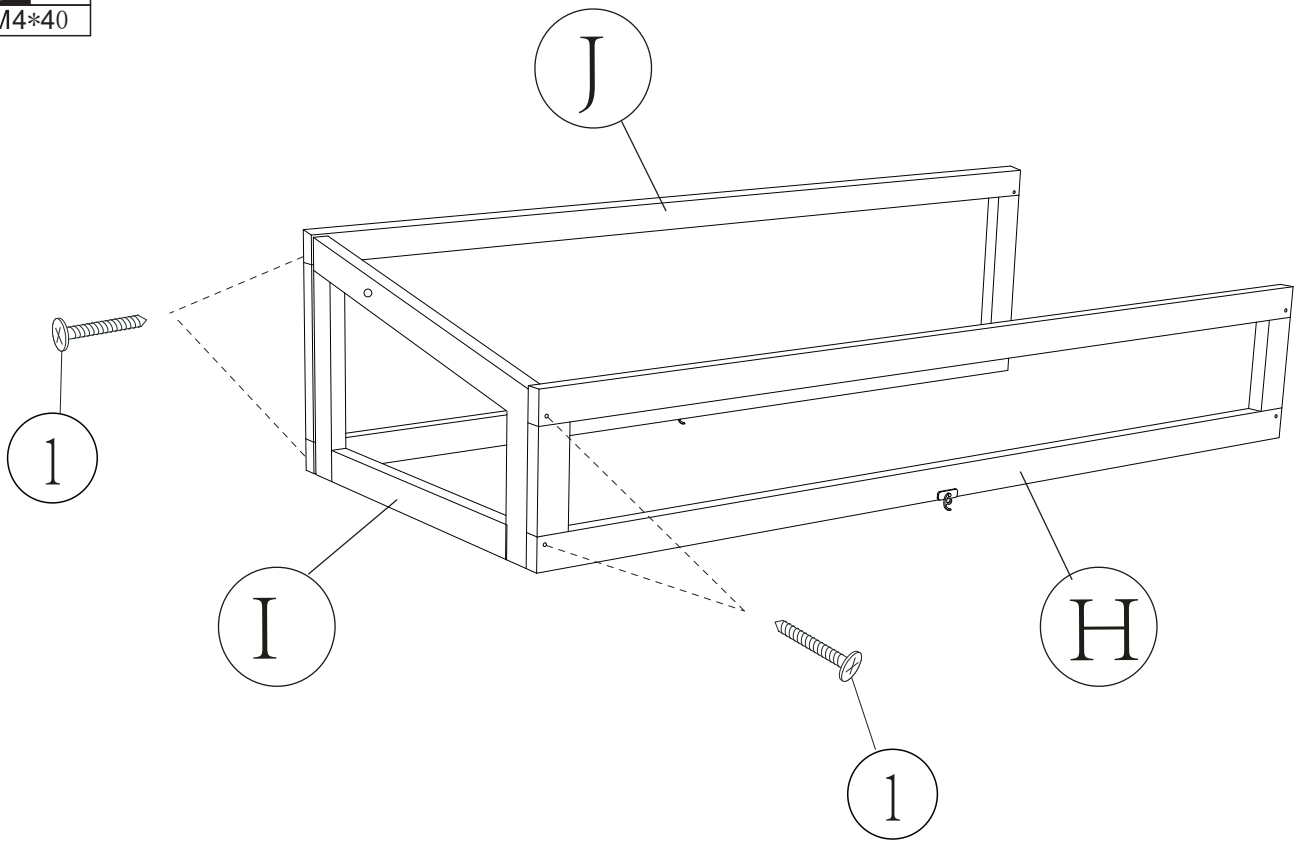
5 x 8



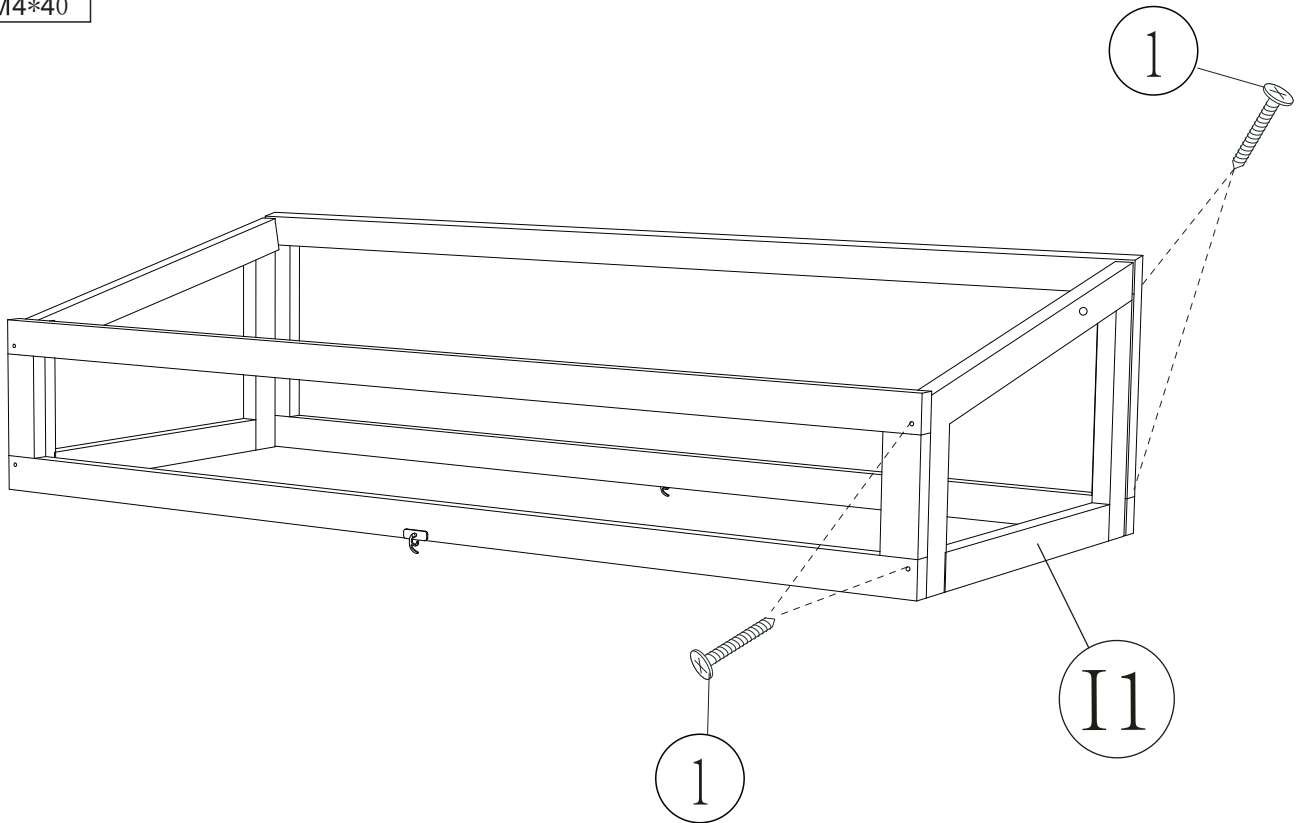
M



1 x 4
M4*40



1 x 4
M4*40



3 x 4
M3*14

4 x 2
M6*12

