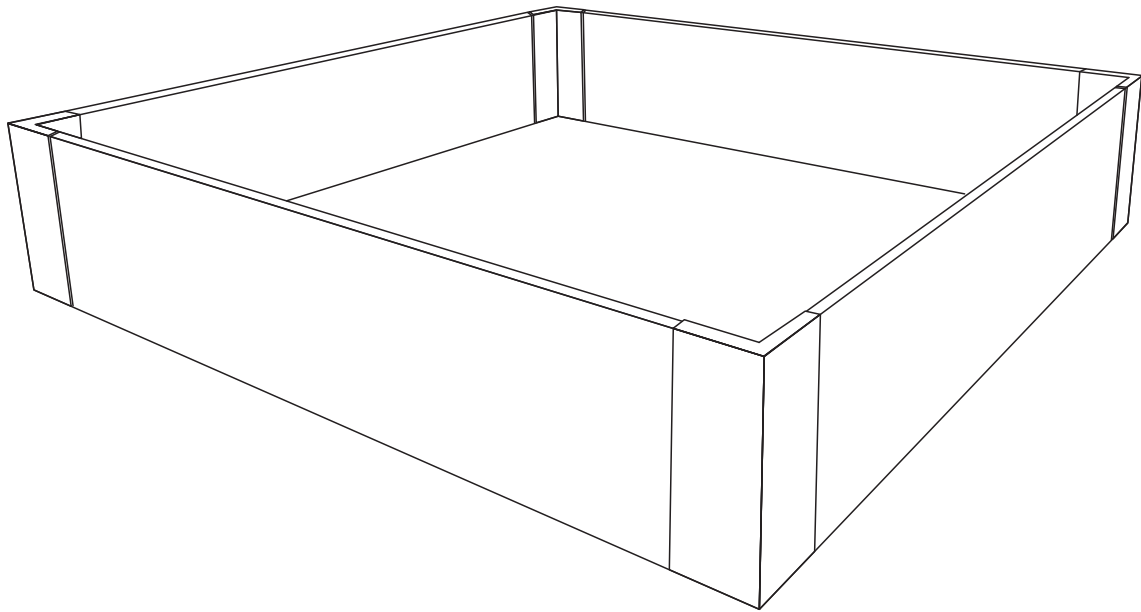




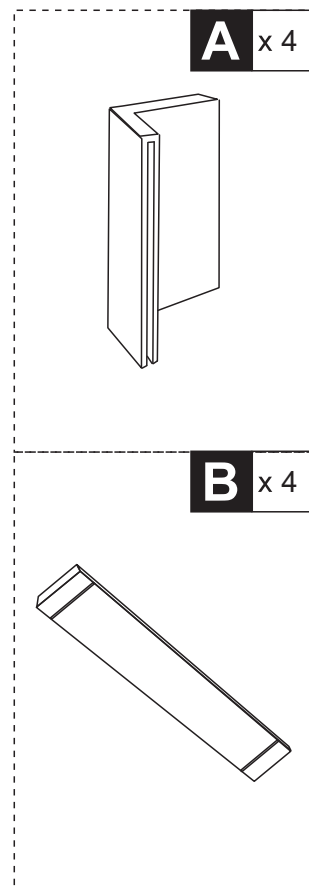
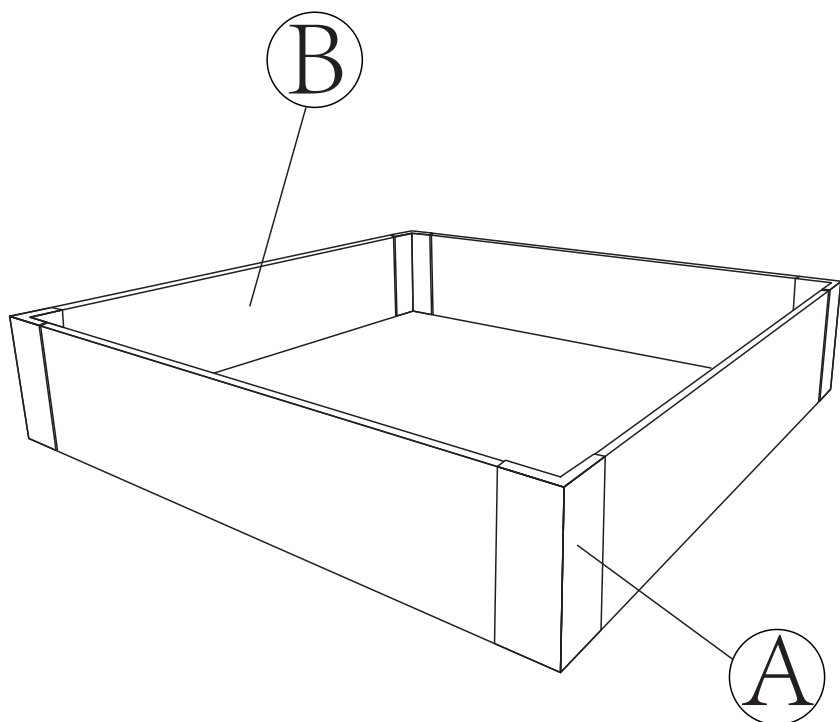
INbmb112_GL

845-684_845-684V02



IMPORTANT, RETAIN FOR FUTURE REFERENCE: READ CAREFULLY

ASSEMBLY & INSTRUCTION MANUAL



A x 4

B x 4

