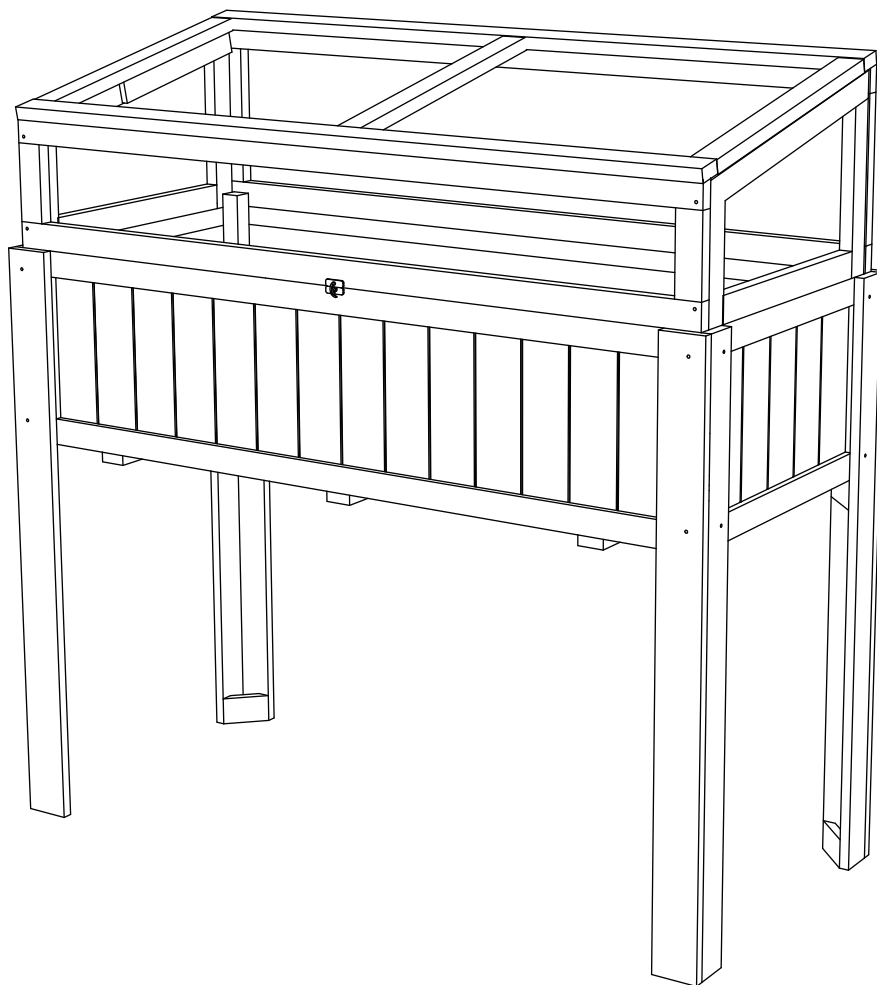




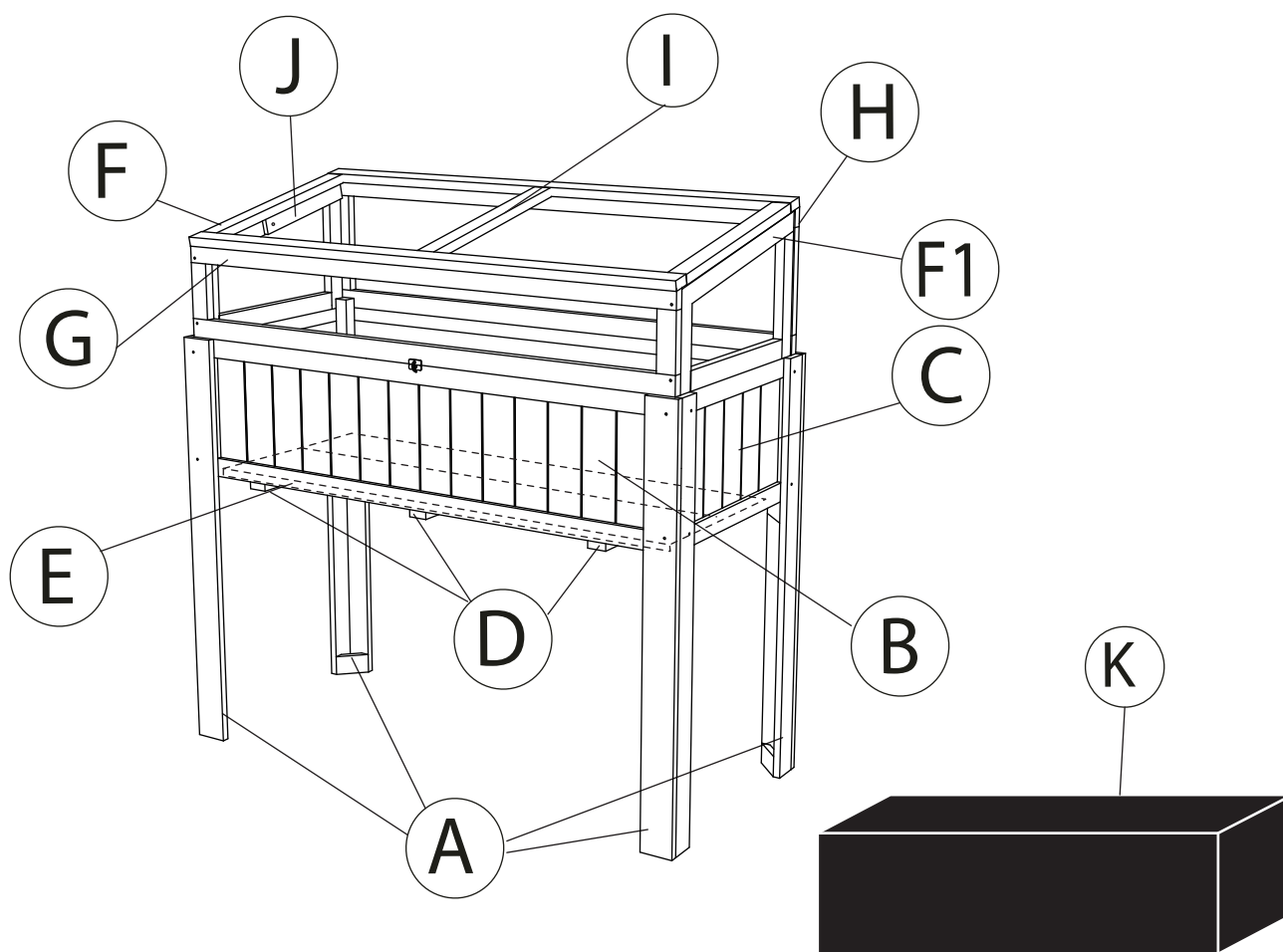
INbmb115_GL

845-655

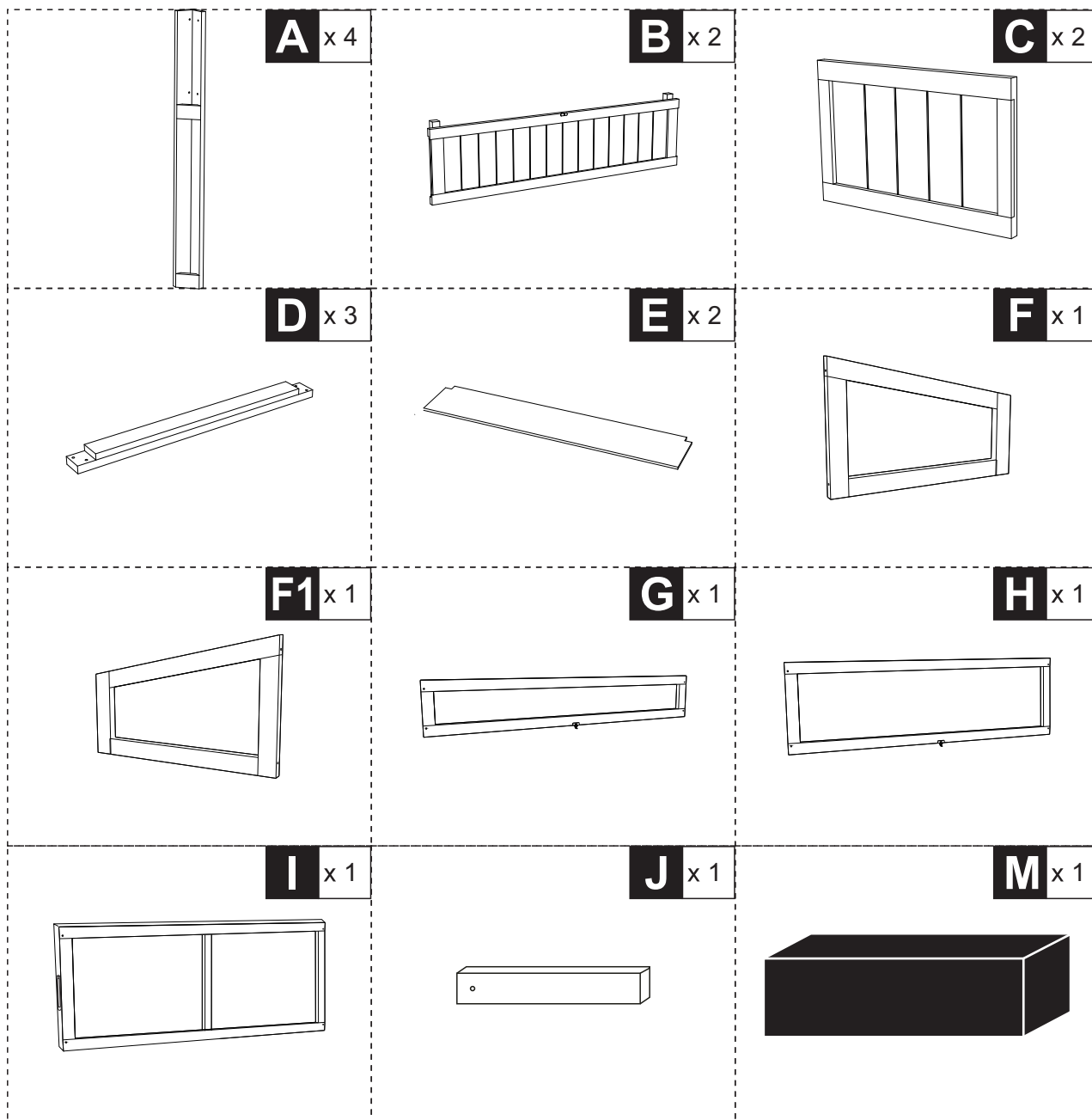


IMPORTANT, RETAIN FOR FUTURE REFERENCE: READ CAREFULLY

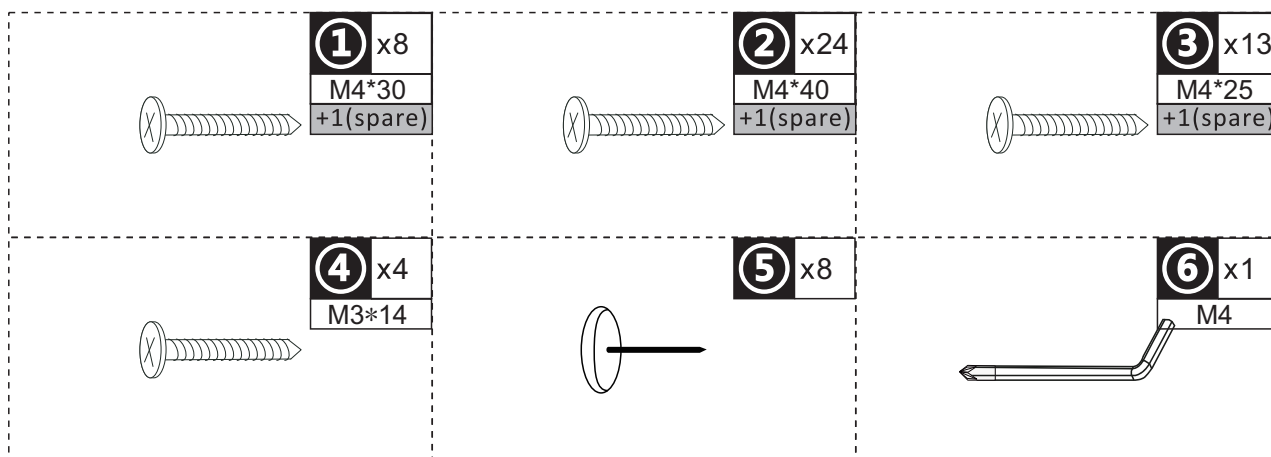
ASSEMBLY & INSTRUCTION MANUAL



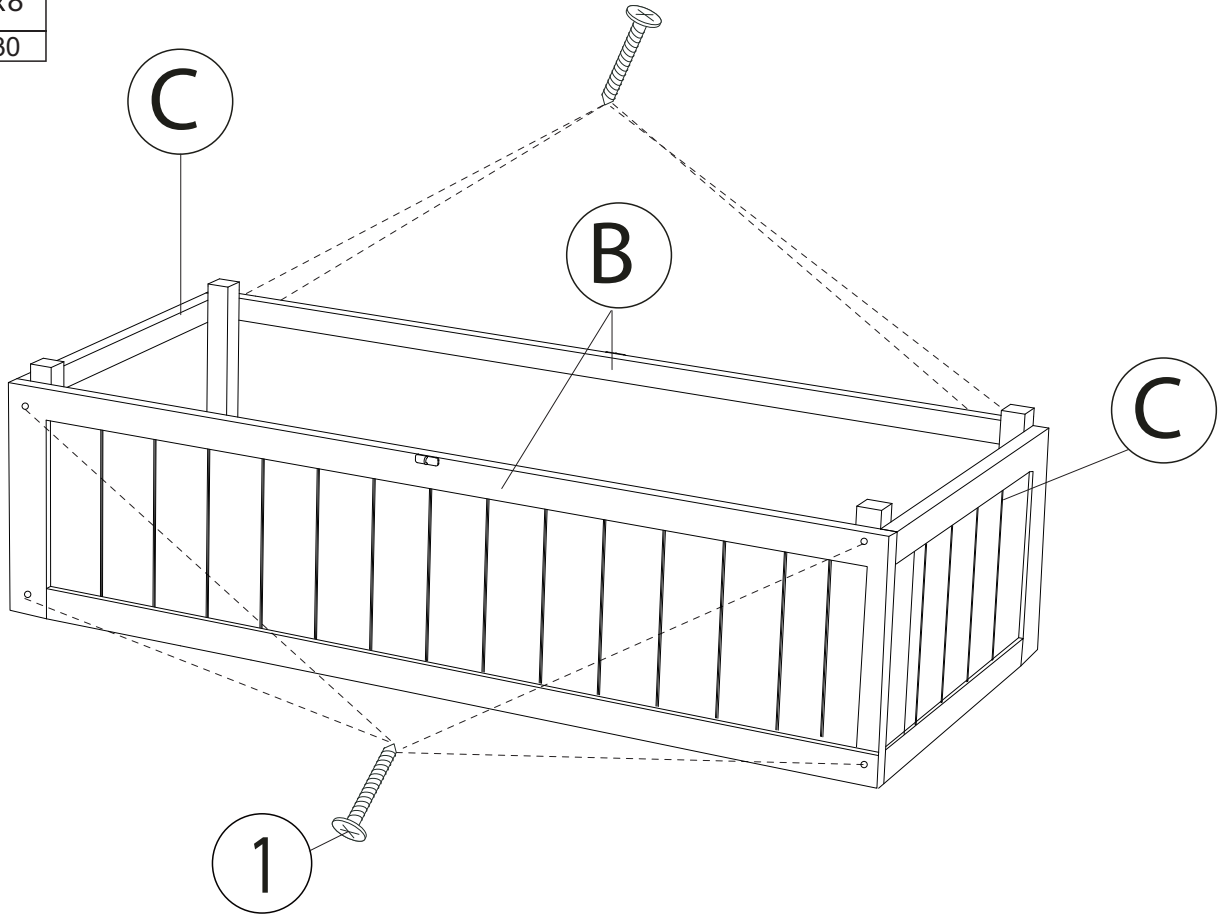
PARTS



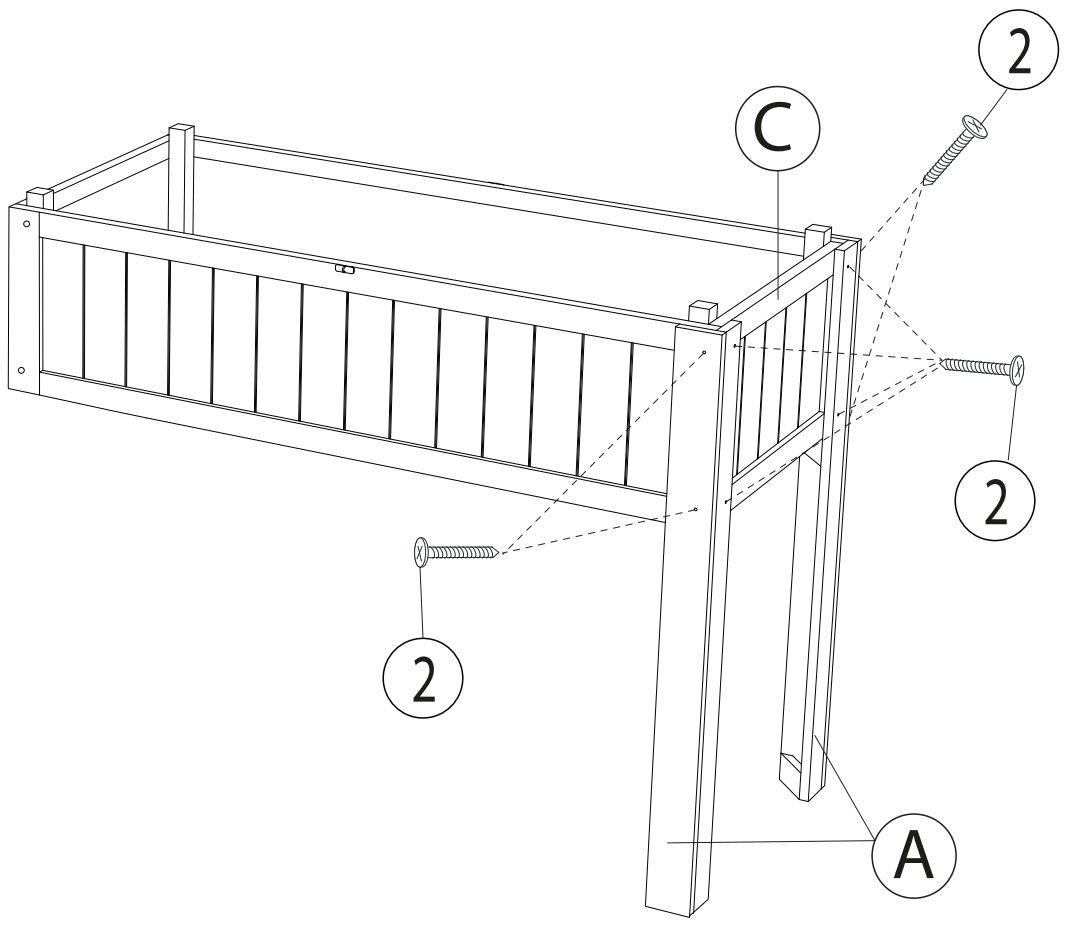
HARDWARE



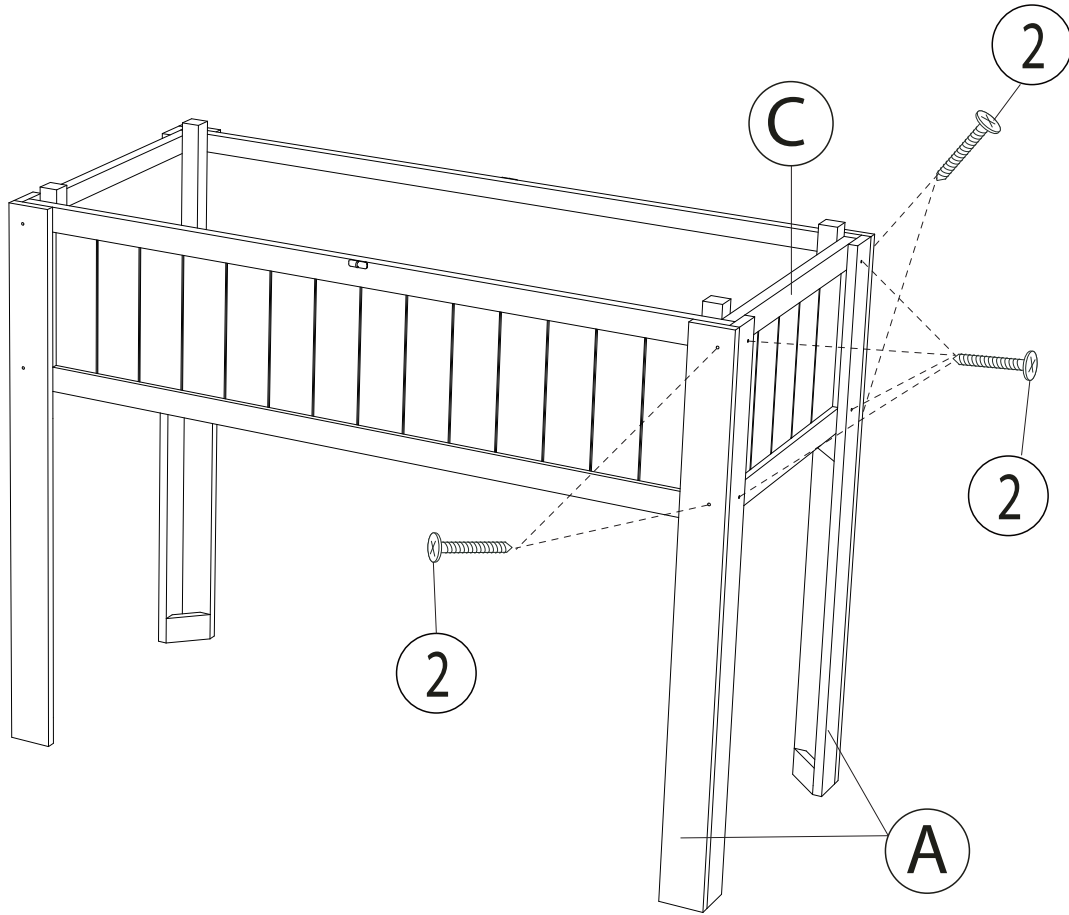
1 x8
M4*30



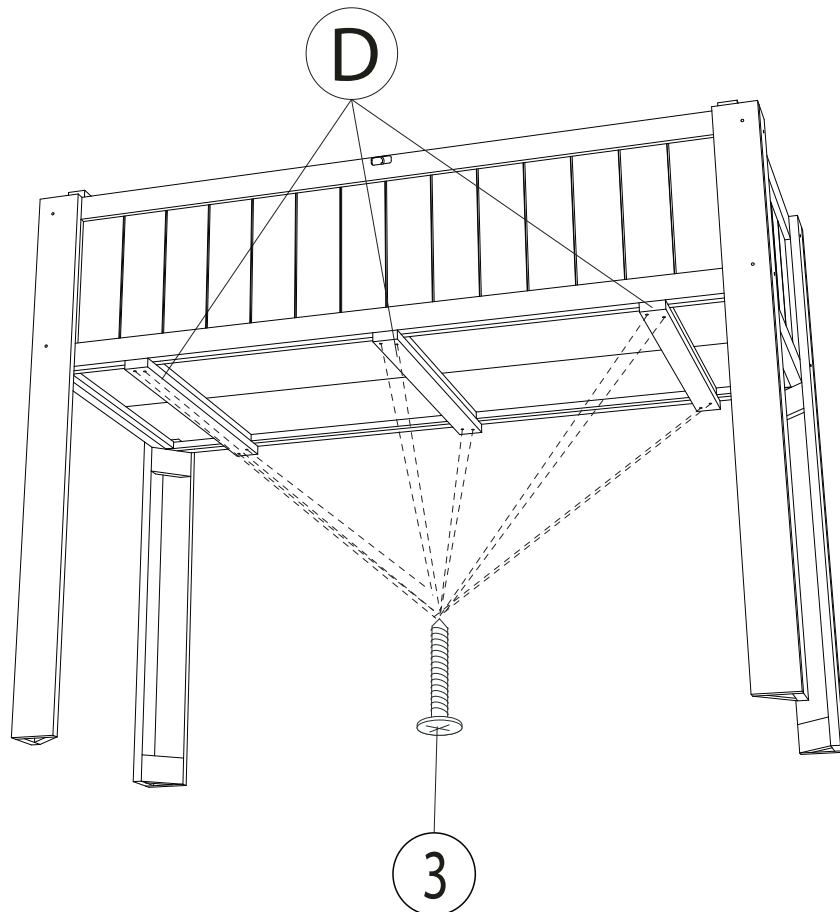
2 x8
M4*40

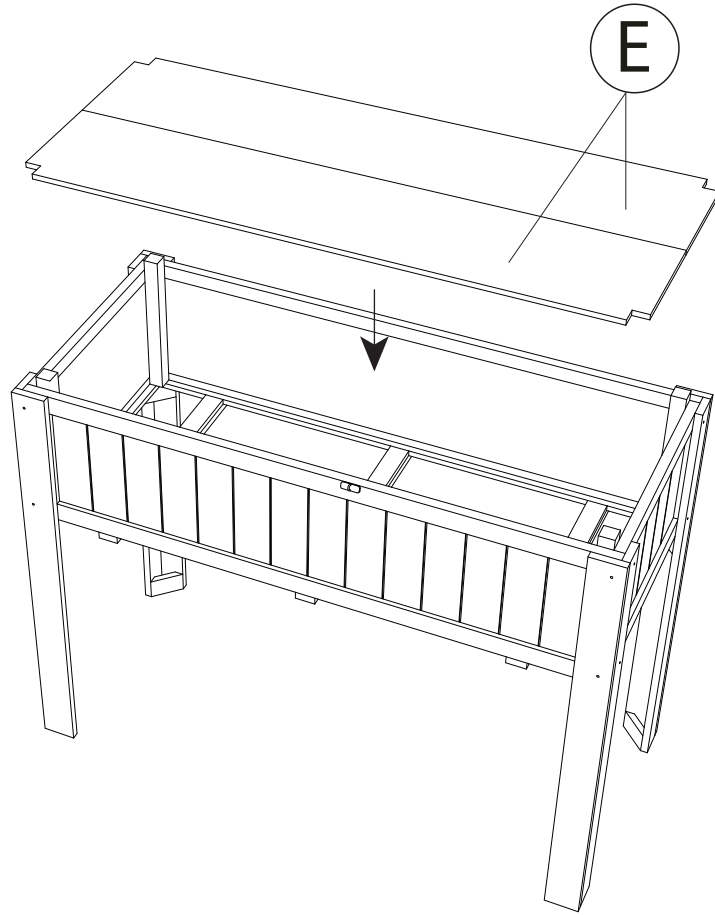


2 x8
M4*40

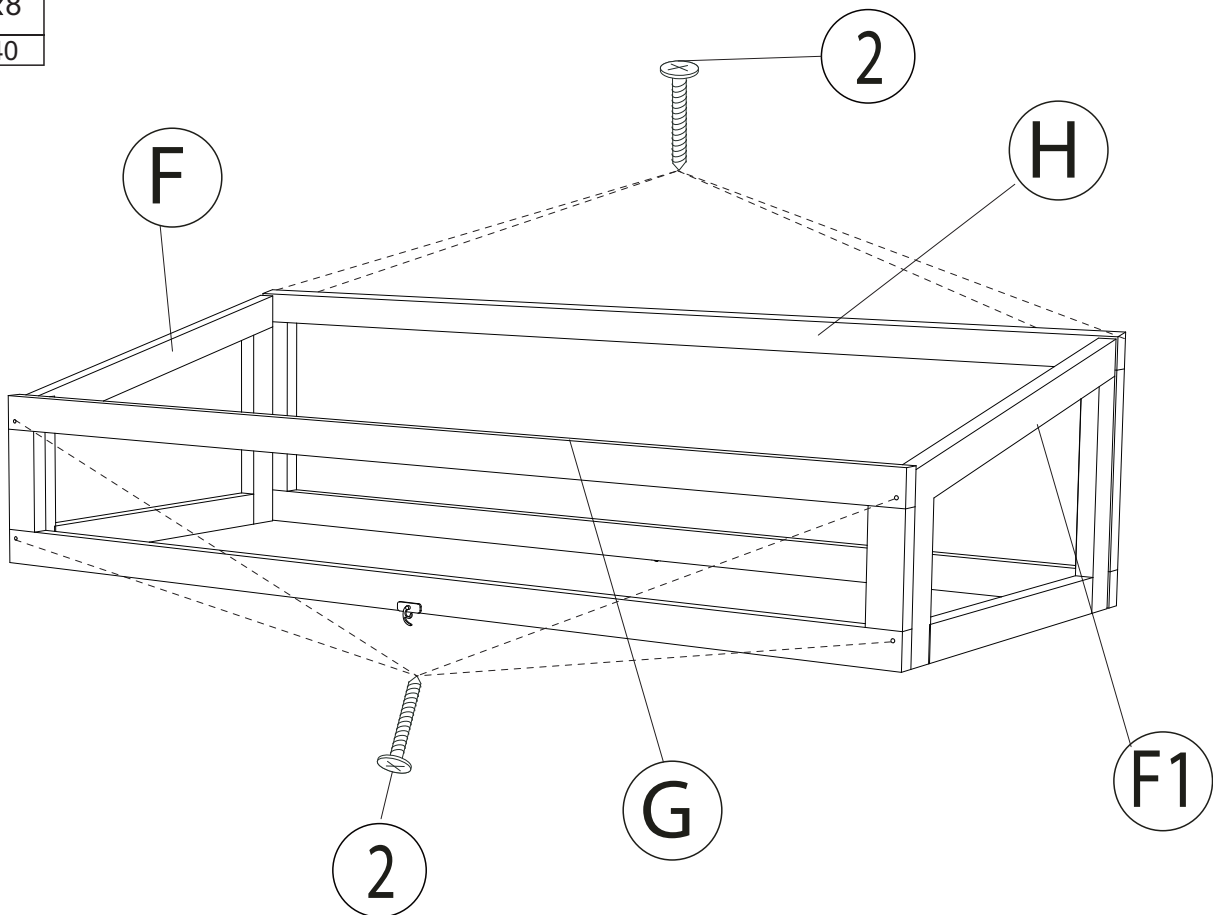


3 x12
M4*25

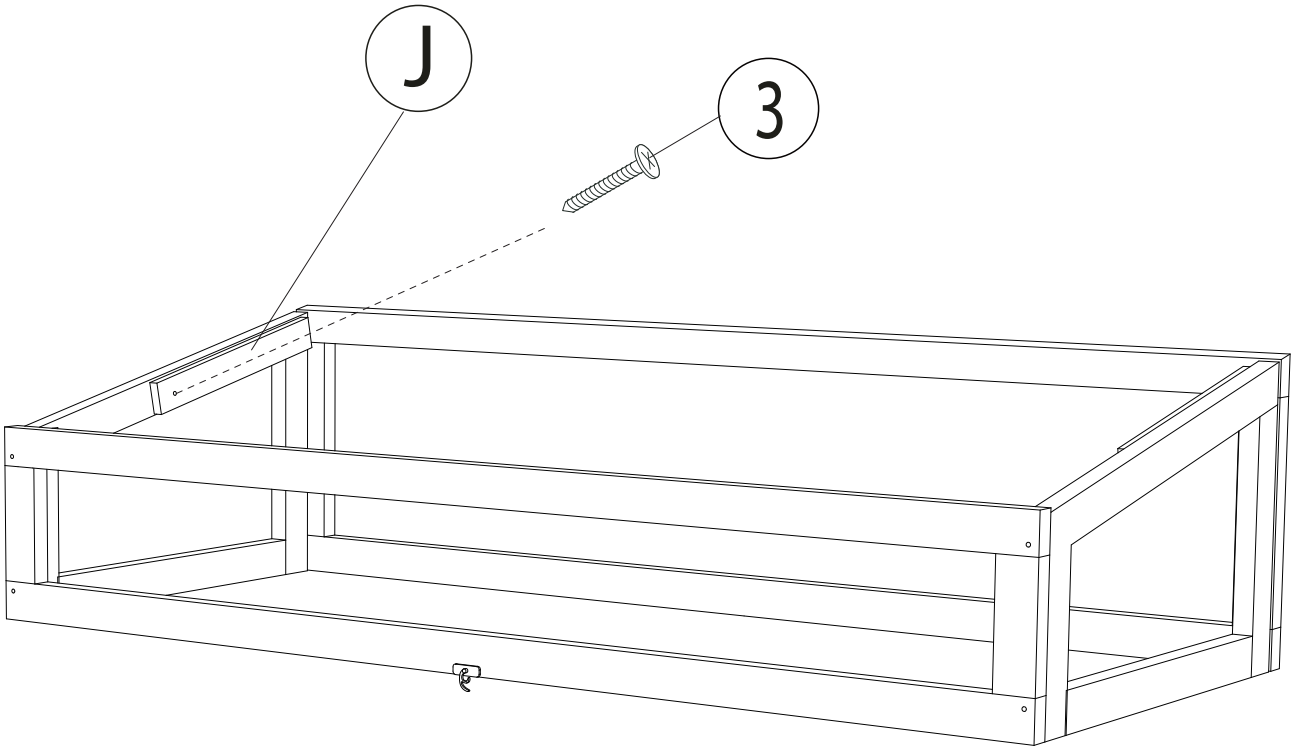




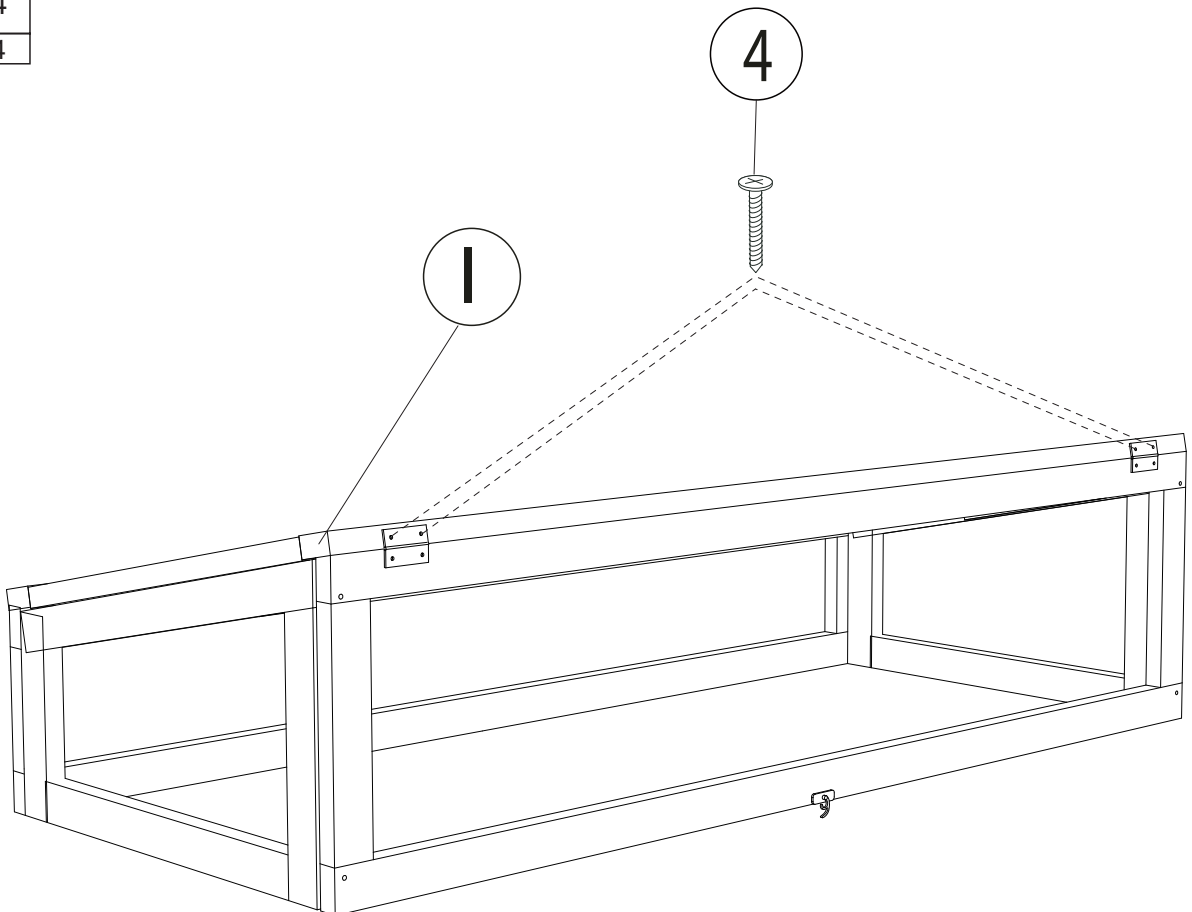
2 x8
M4*40



3 x1
M4*25



4 x4
M3*14



5 x8

