



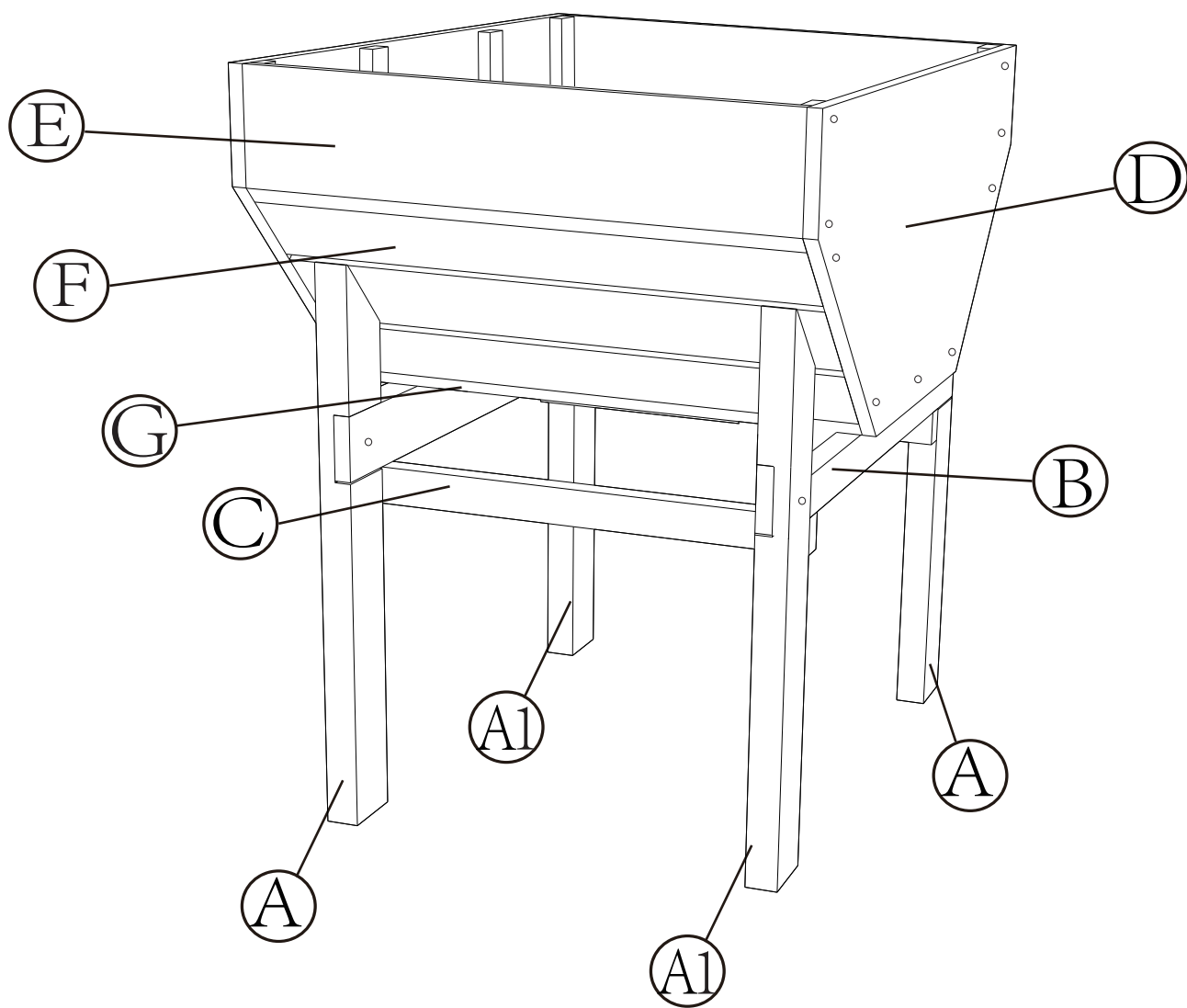
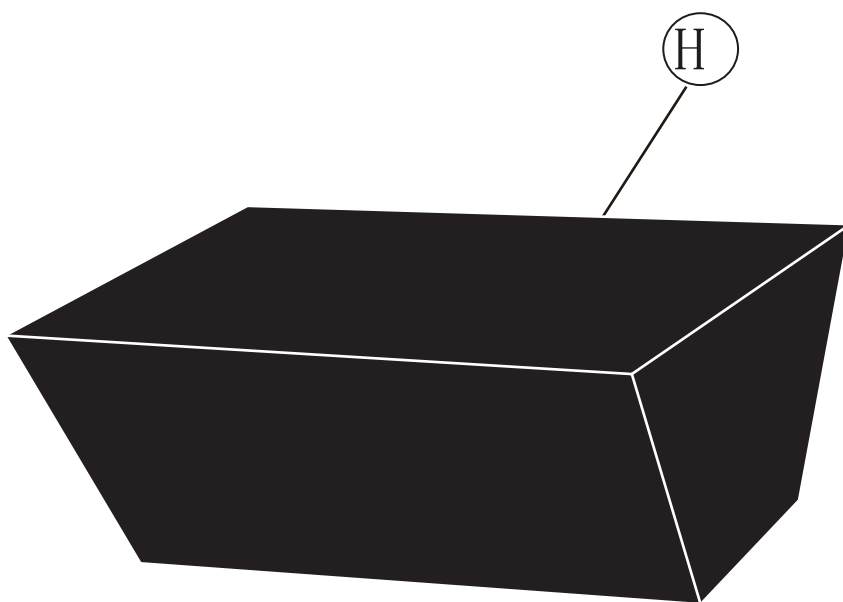
INbmb118_GL

845-657V01

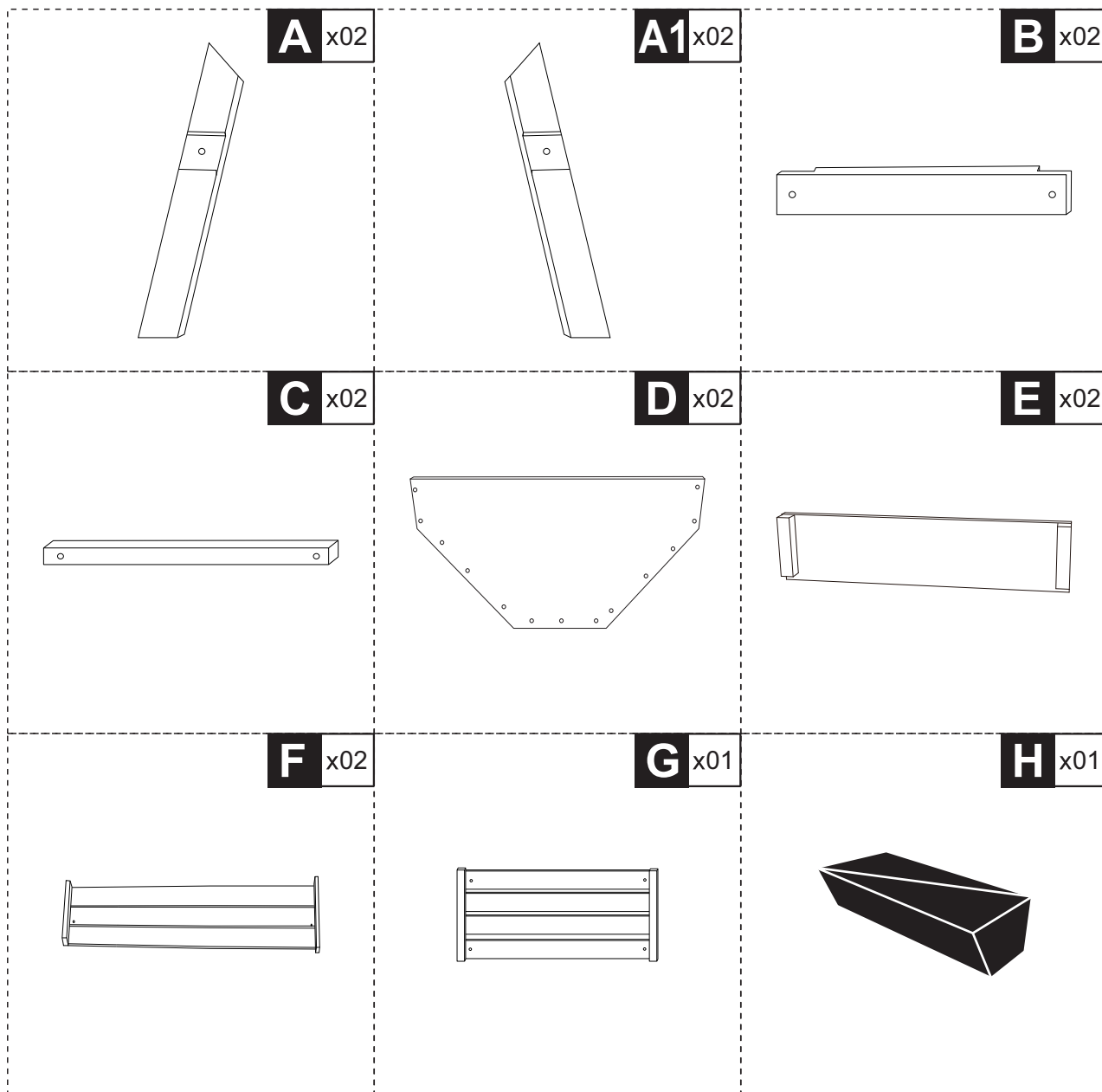


IMPORTANT, RETAIN FOR FUTURE REFERENCE: READ CAREFULLY

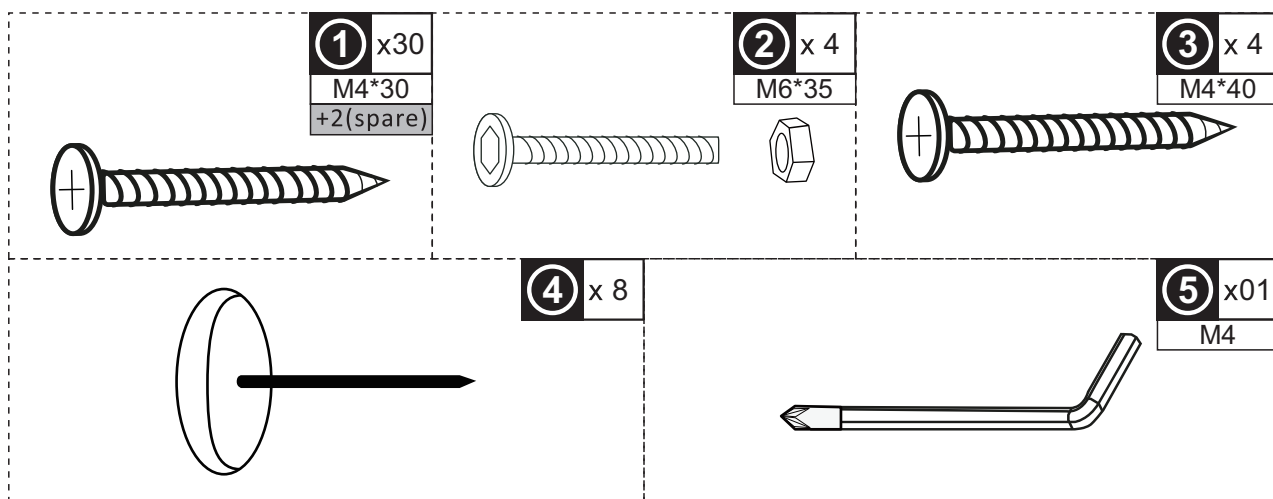
ASSEMBLY & INSTRUCTION MANUAL



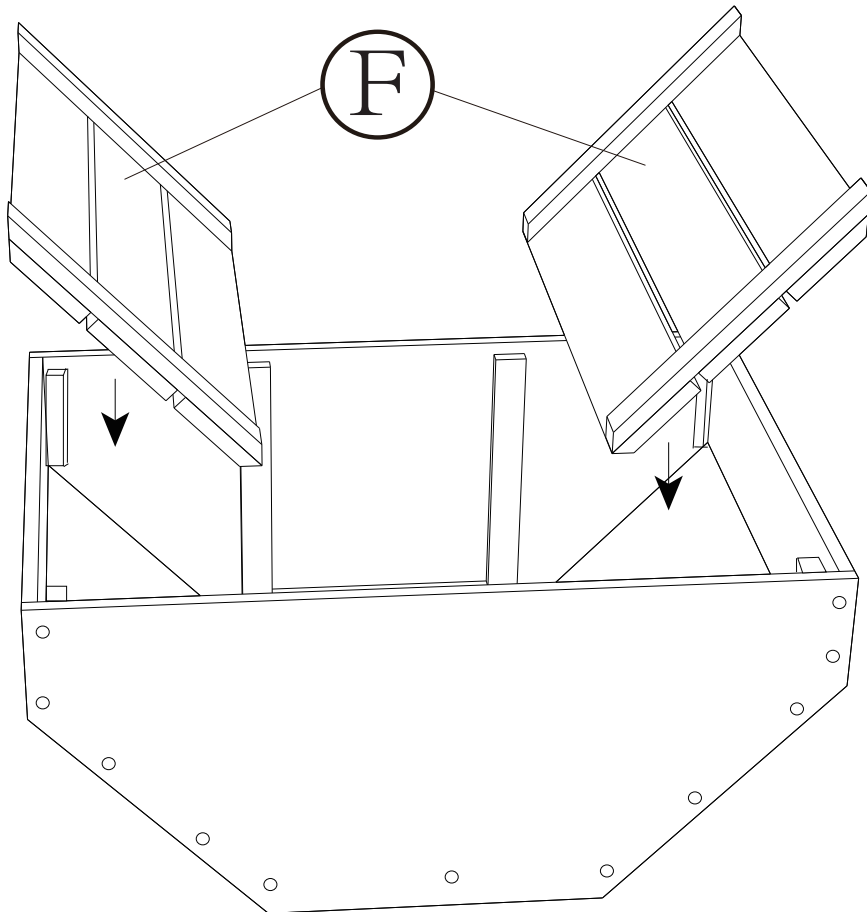
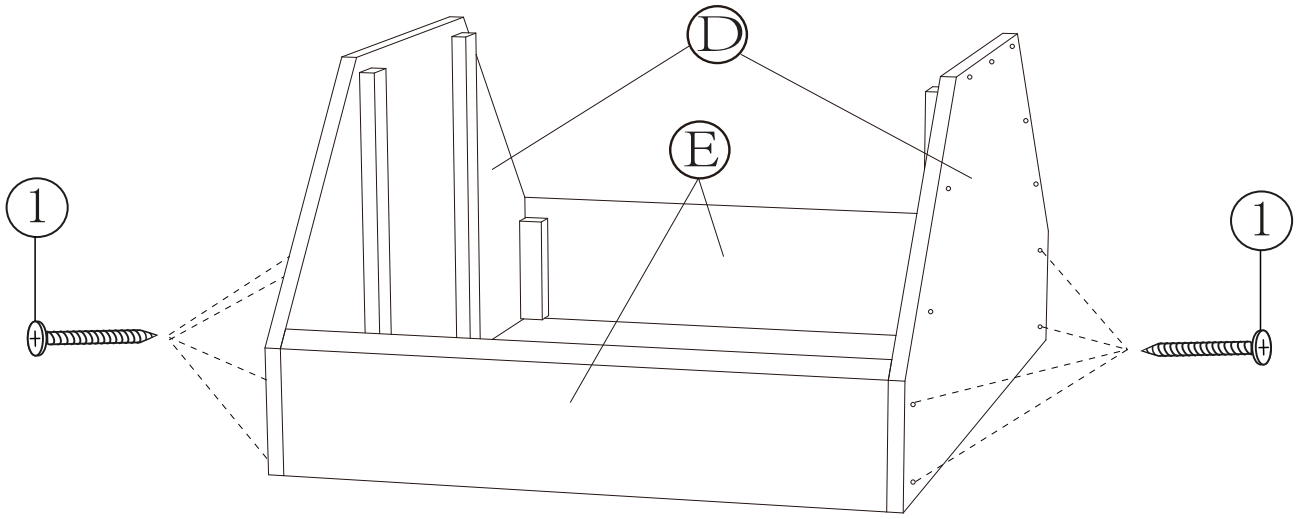
PARTS



HARDWARE

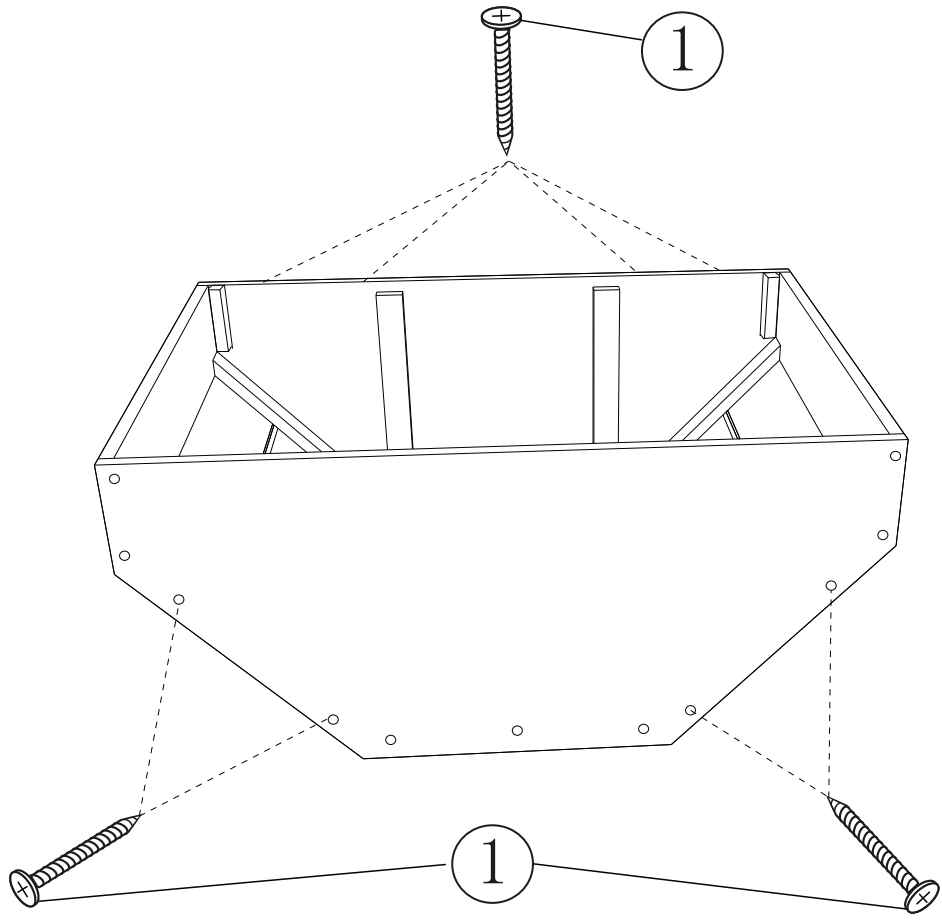


1 x08
M4*30

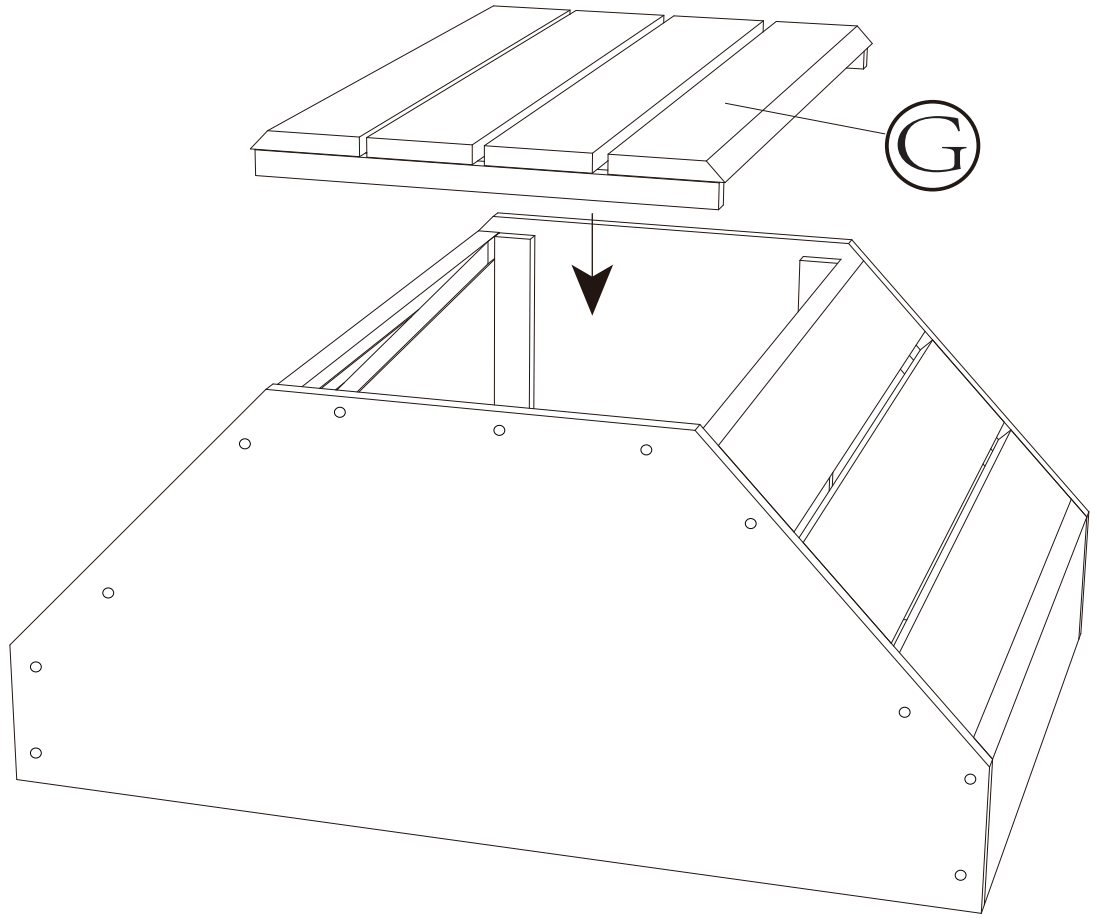


1 x 8
M4*30

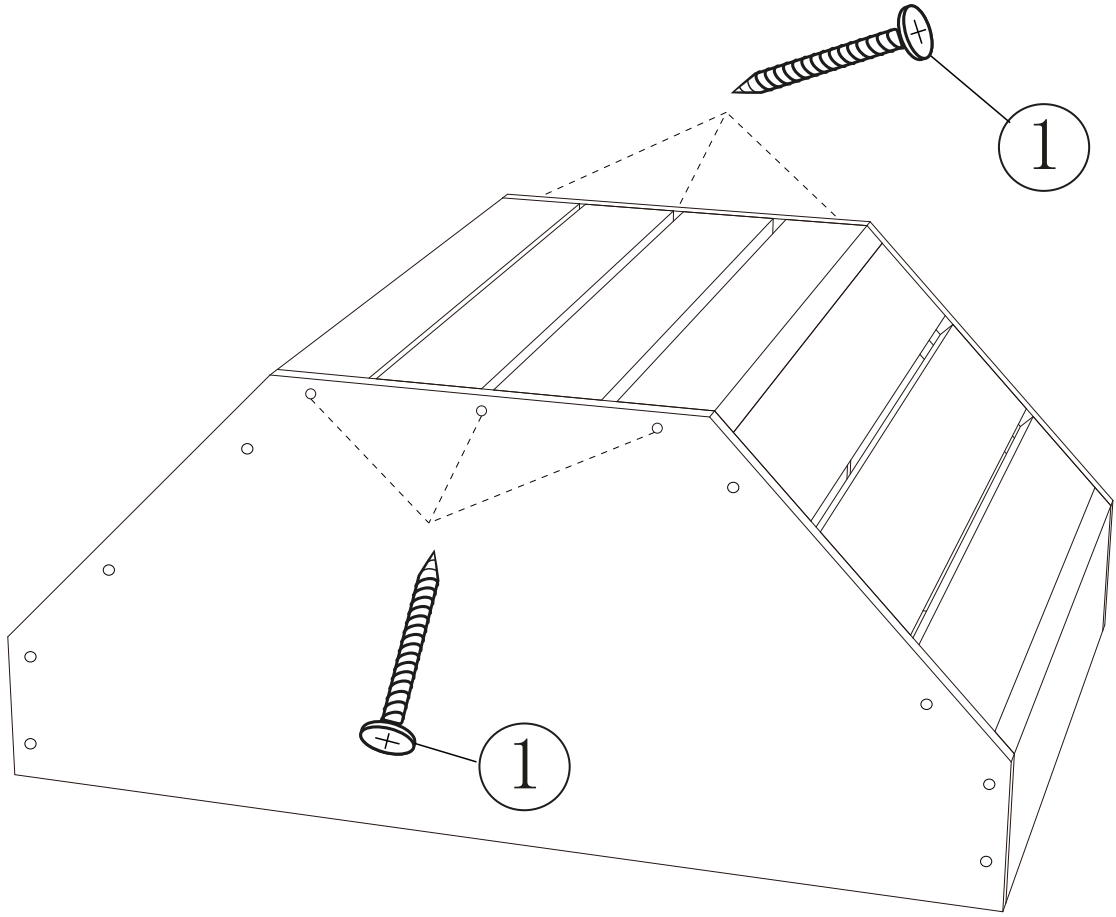
03



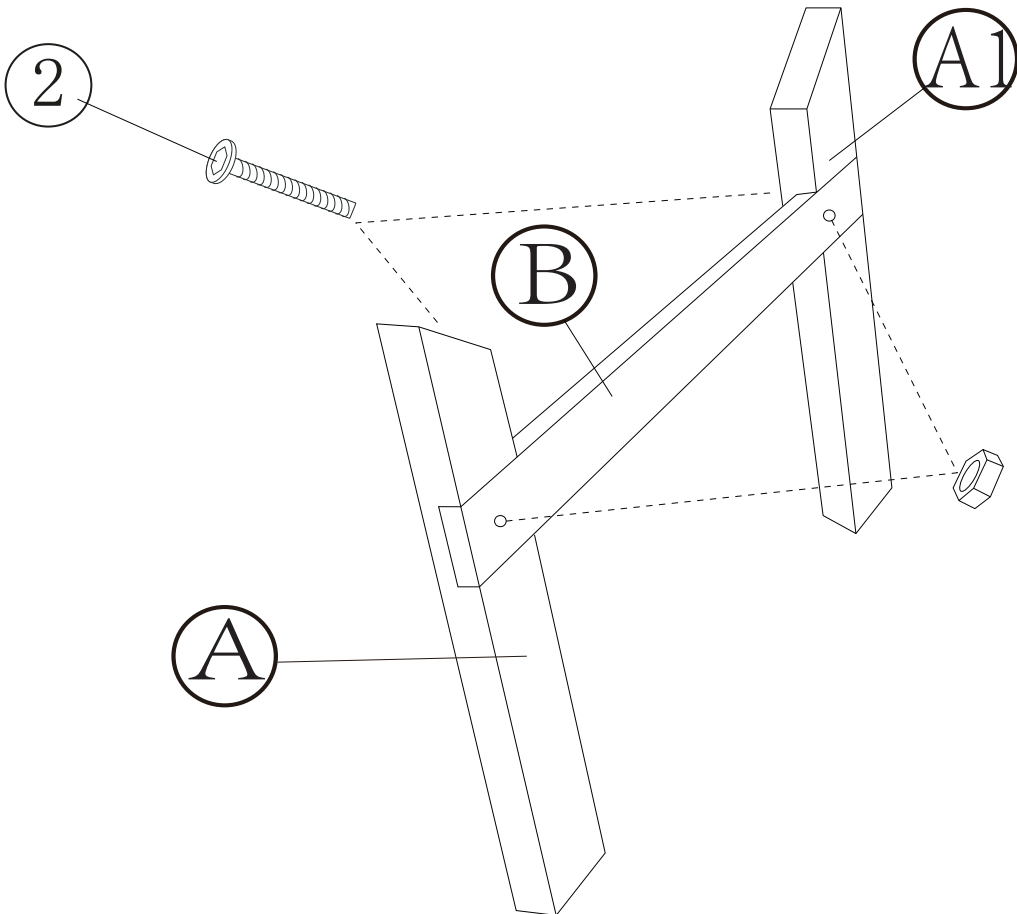
04



1 x 6
M4*30

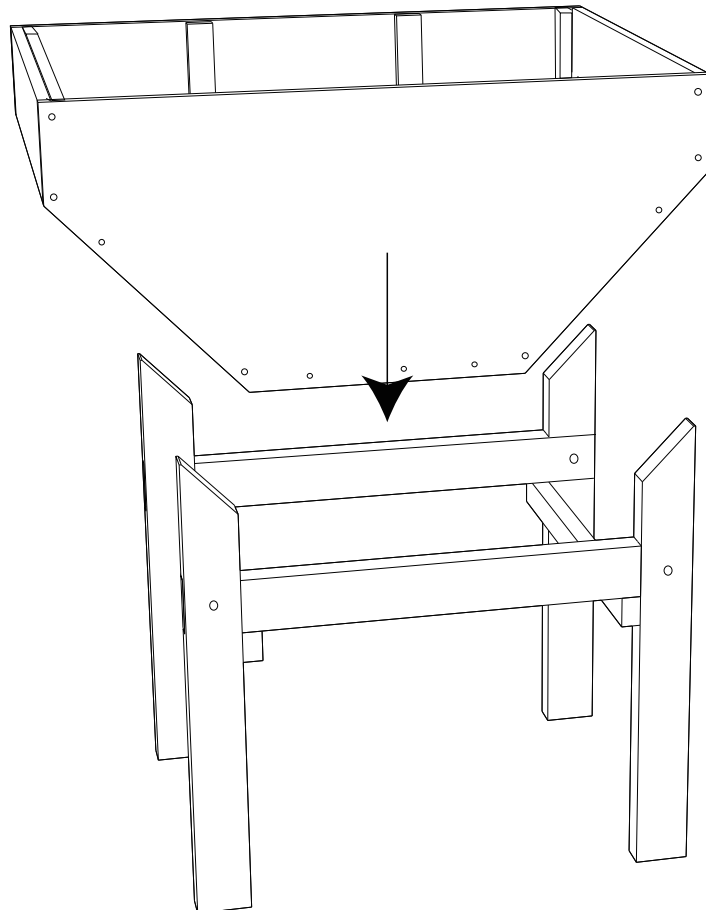
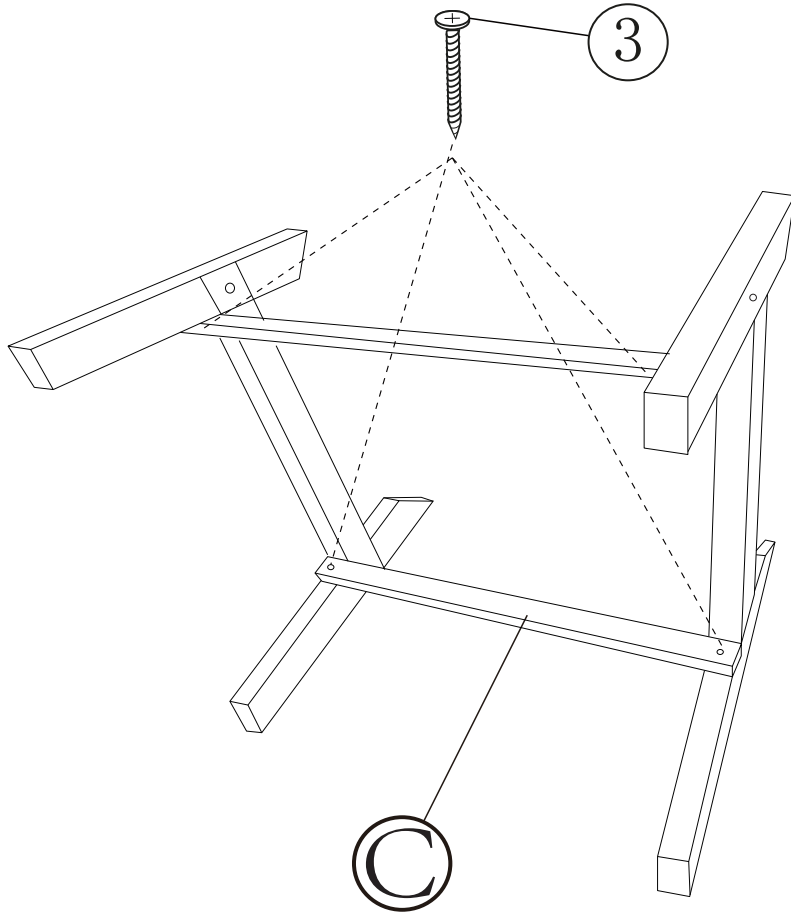


2 x 4
M6*35

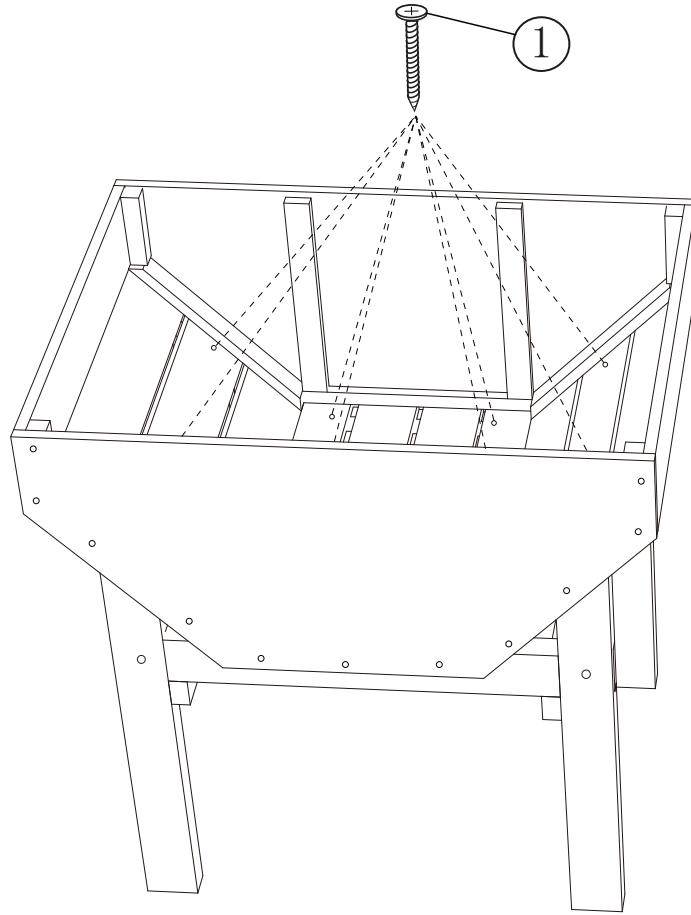


x2

3 x 4
M4*40



1 x 8
M4*30



4 x 8

