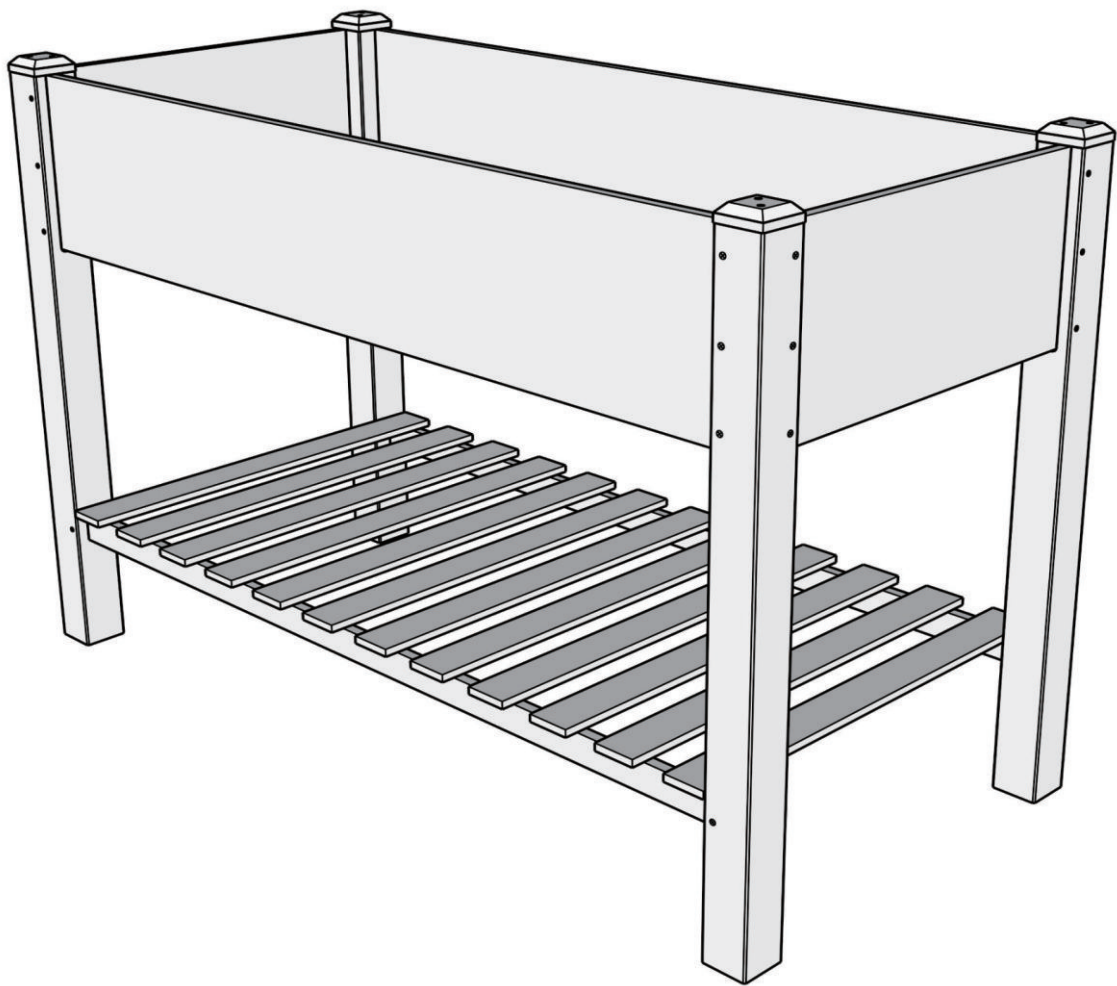




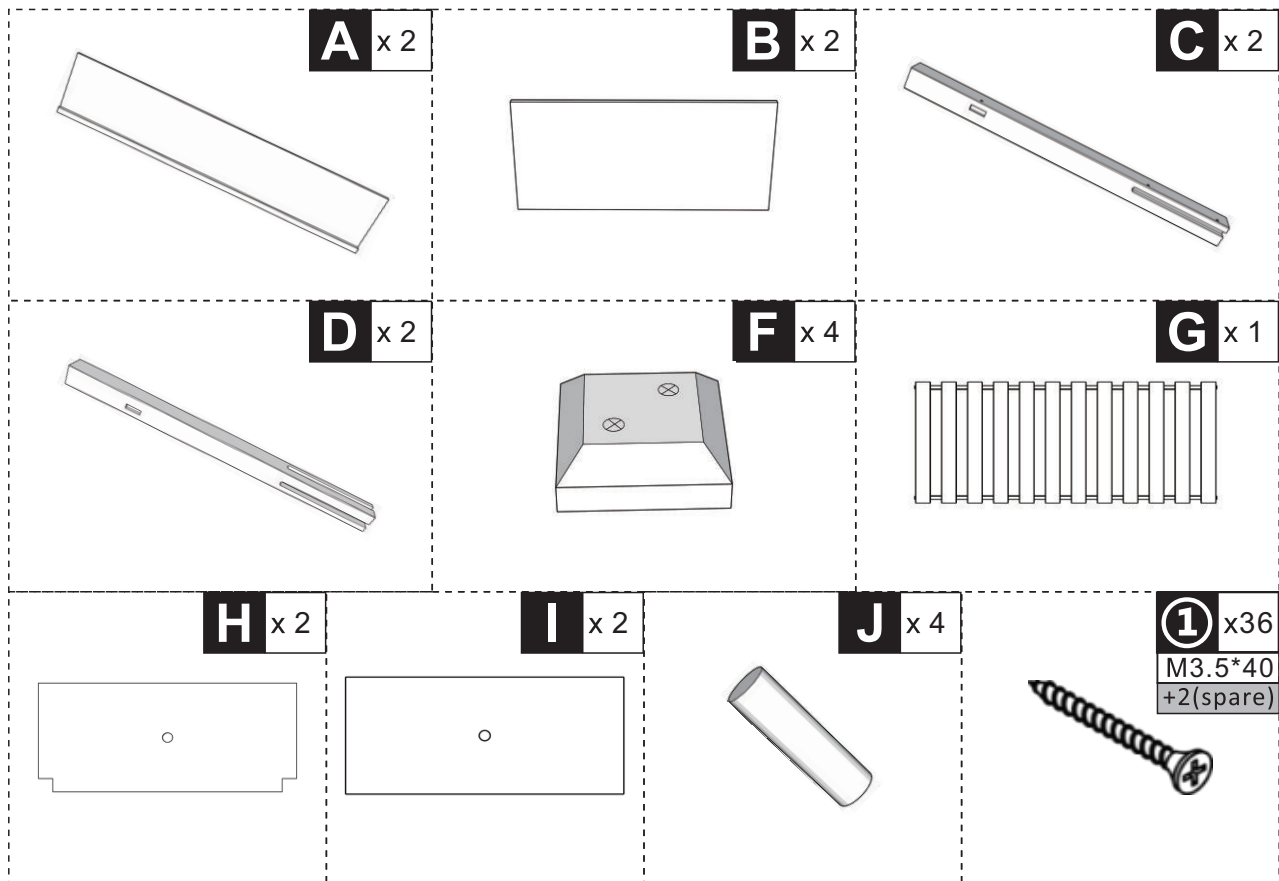
INbmb123_GL

845-661



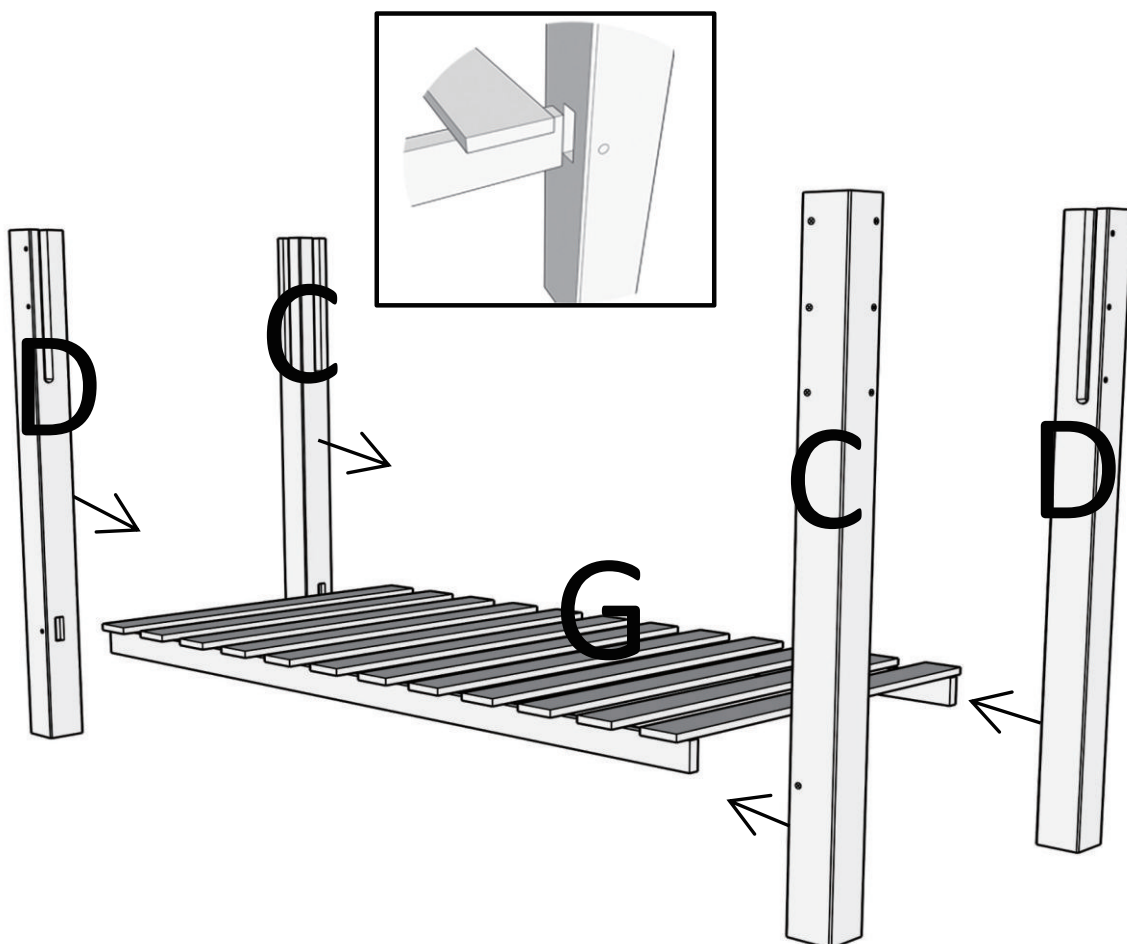
IMPORTANT, RETAIN FOR FUTURE REFERENCE: READ CAREFULLY

ASSEMBLY & INSTRUCTION MANUAL



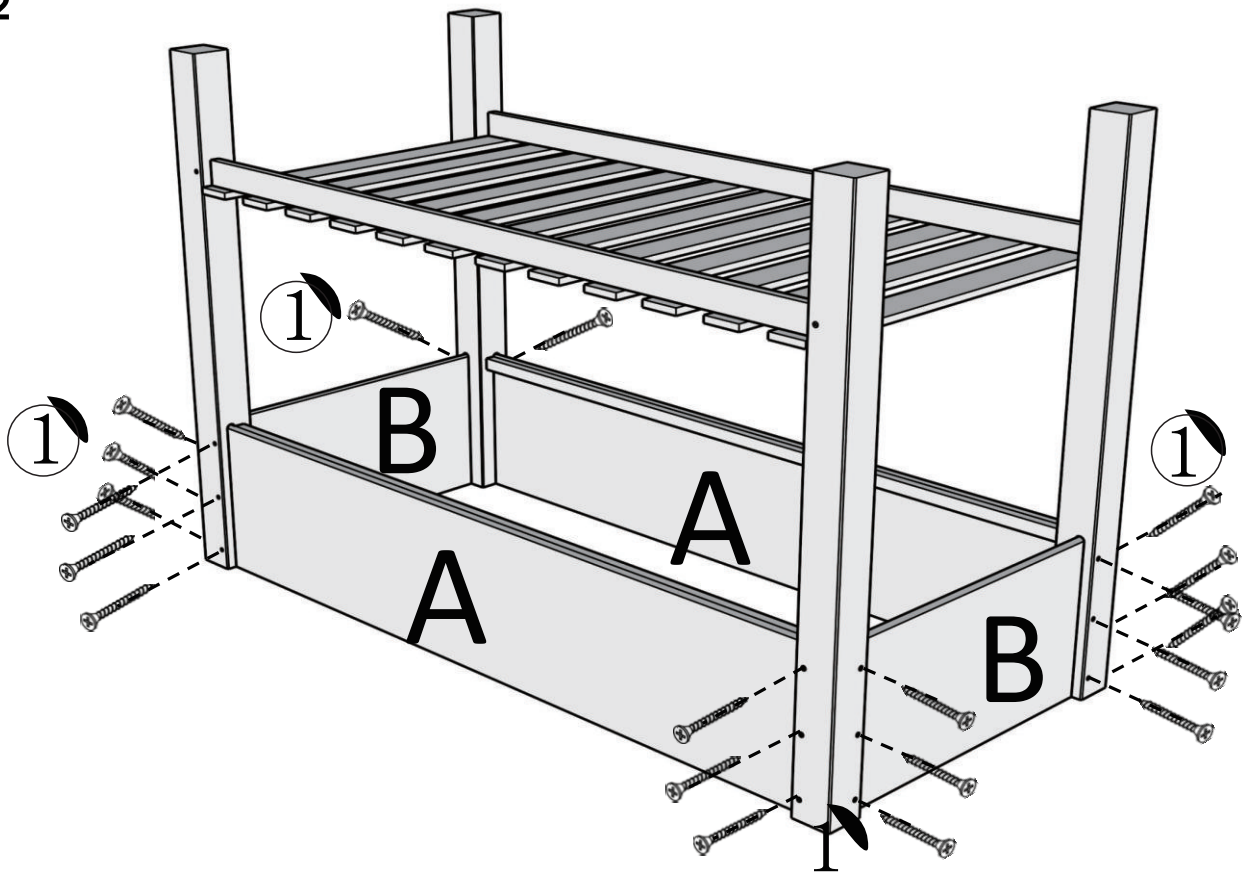
C x2
D x2
G x1

01



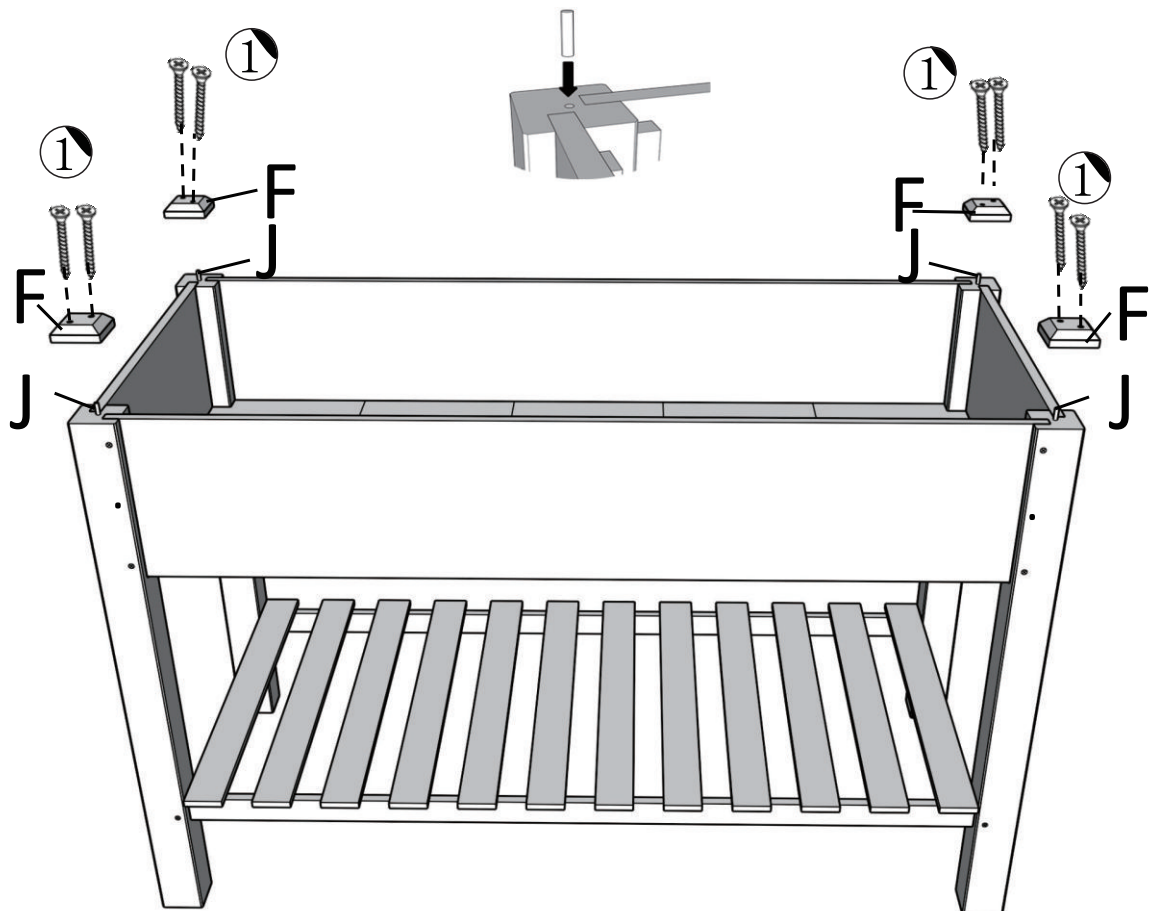
A×2 ①×24
B×2

02



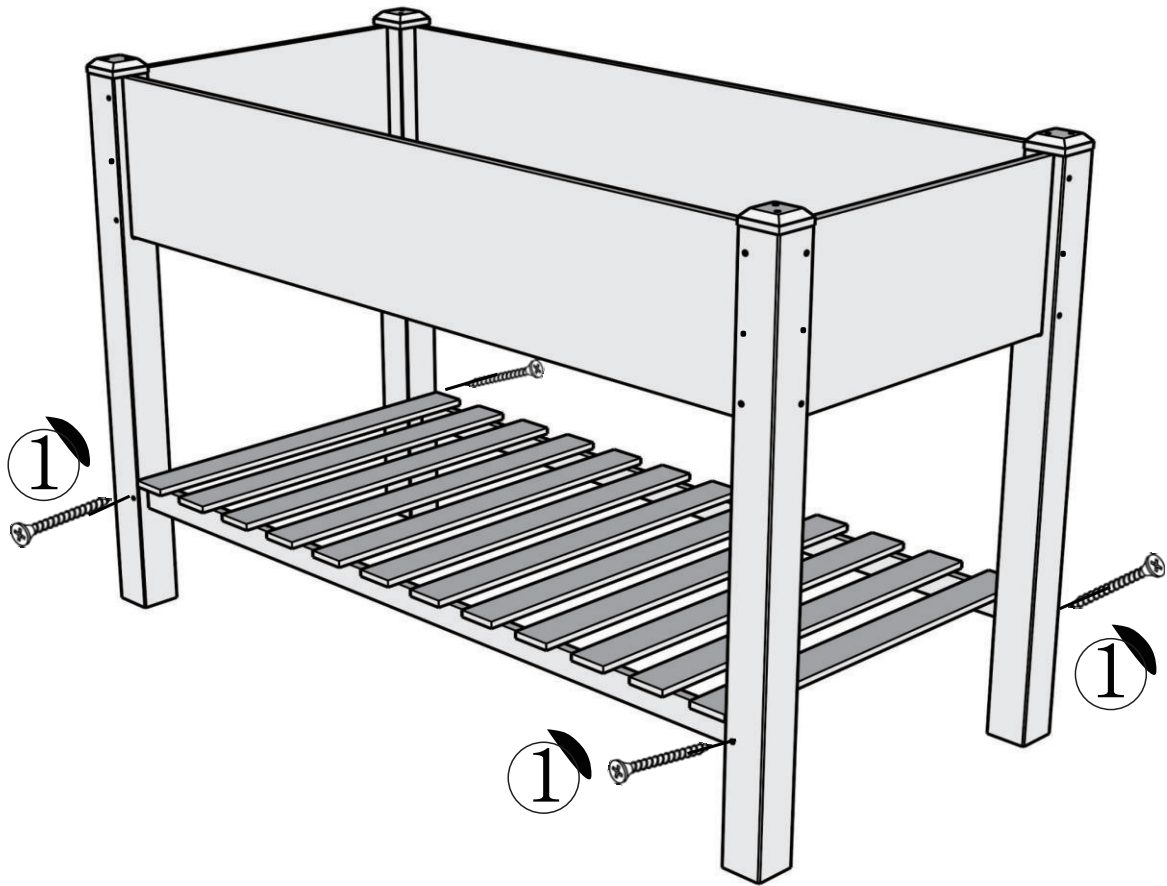
F×4 ①×8
J×4

03



1x4

04



Ix2
Hx2

Done

