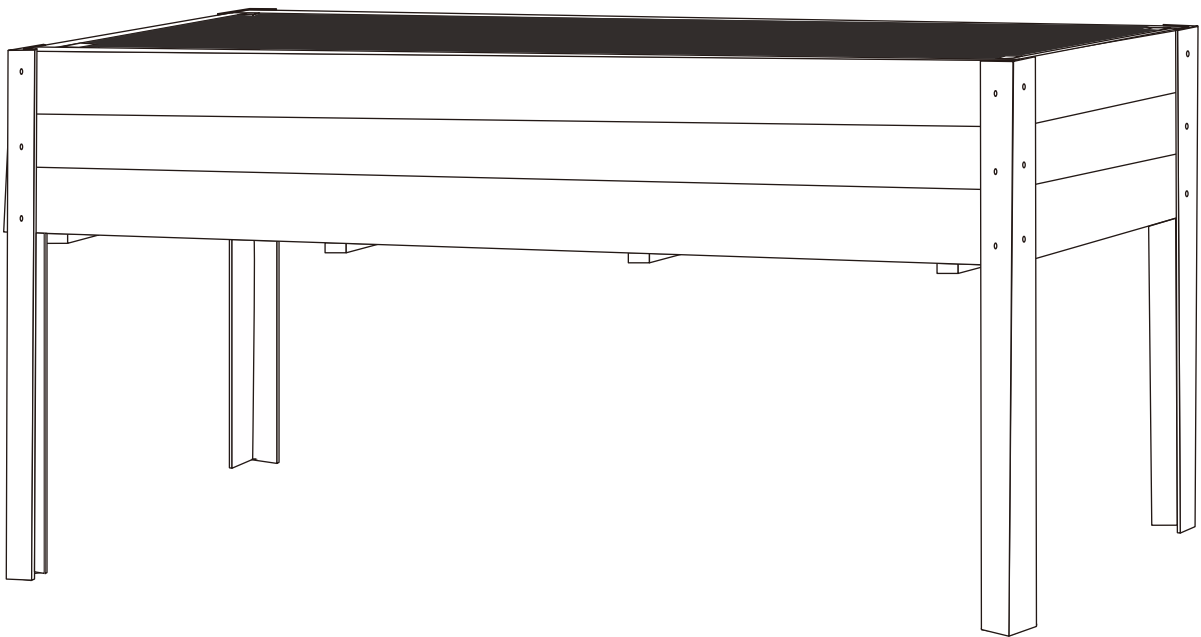




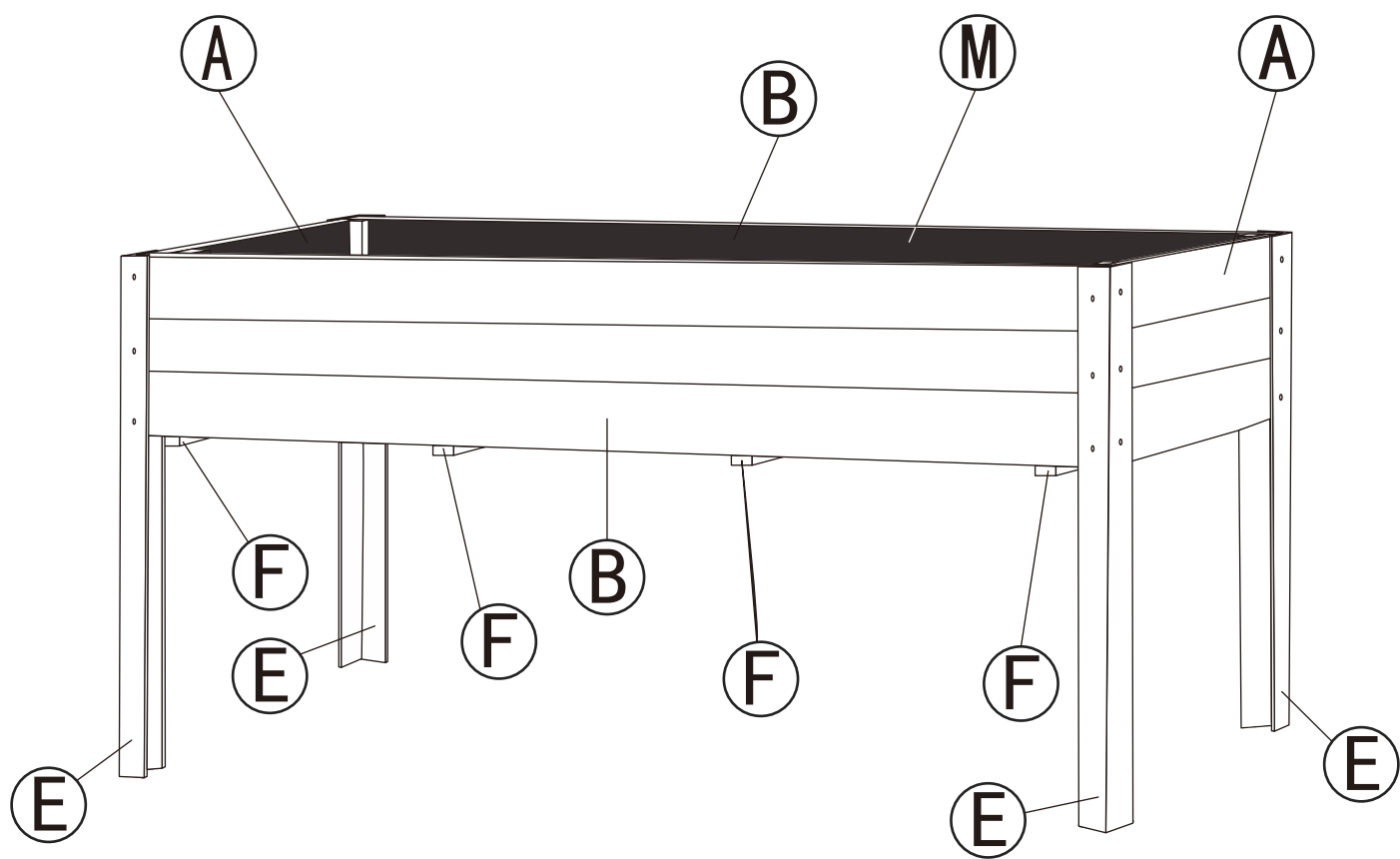
INbmb137_GL

845-630



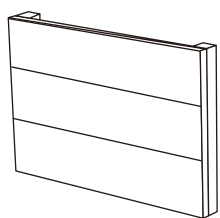
IMPORTANT, RETAIN FOR FUTURE REFERENCE: READ CAREFULLY

ASSEMBLY & INSTRUCTION MANUAL

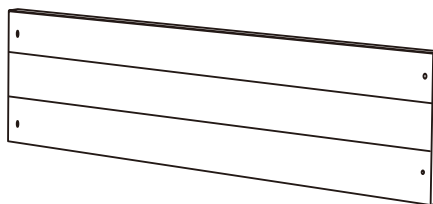


PARTS

A x 2



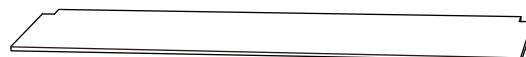
B x 2



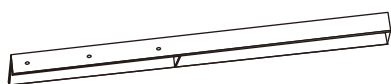
C x 1



D x 1



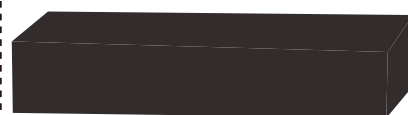
E x 4



F x 4



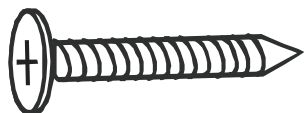
M x 4



HARDWARE

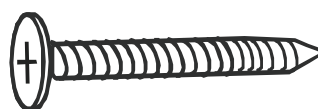
1 x 32

M4*30
+1(spare)



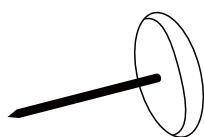
2 x 8

M4*40
+1(spare)



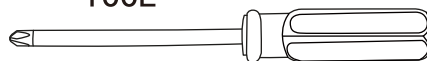
3 x 8

+1(spare)



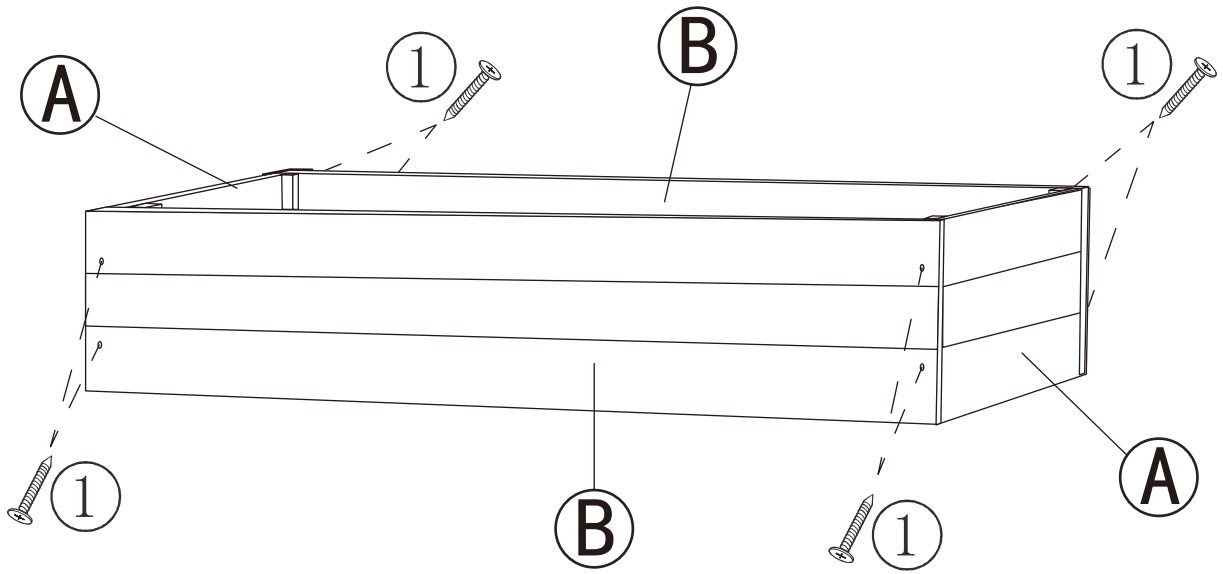
4 x 1

TOOL



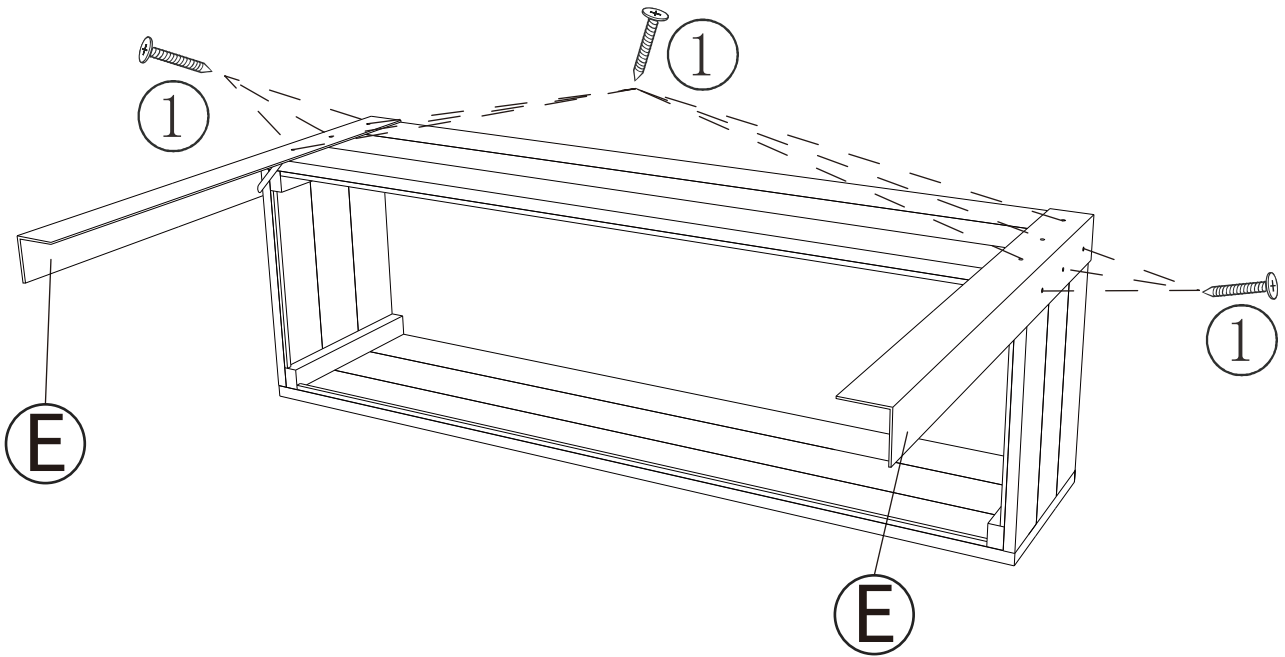
① M4 x 30 mm x 8 Pieces 

01



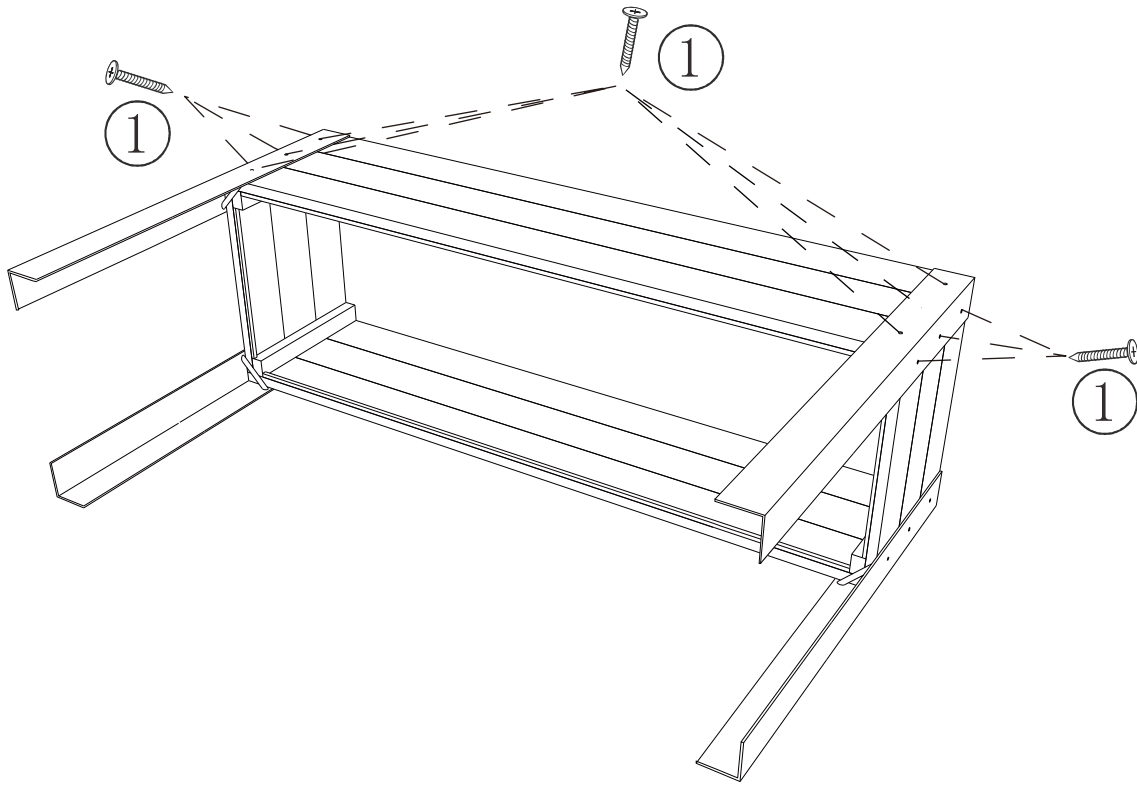
① M4 x 30 mm x 12 Pieces 

02



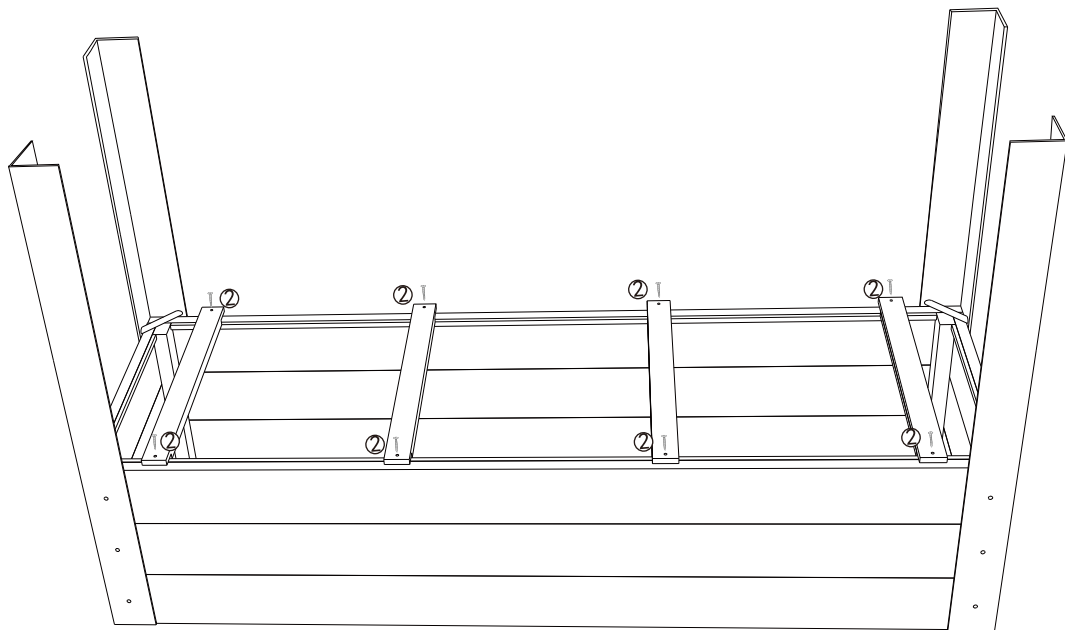
① M4 x 30 mm x 12 Pieces 

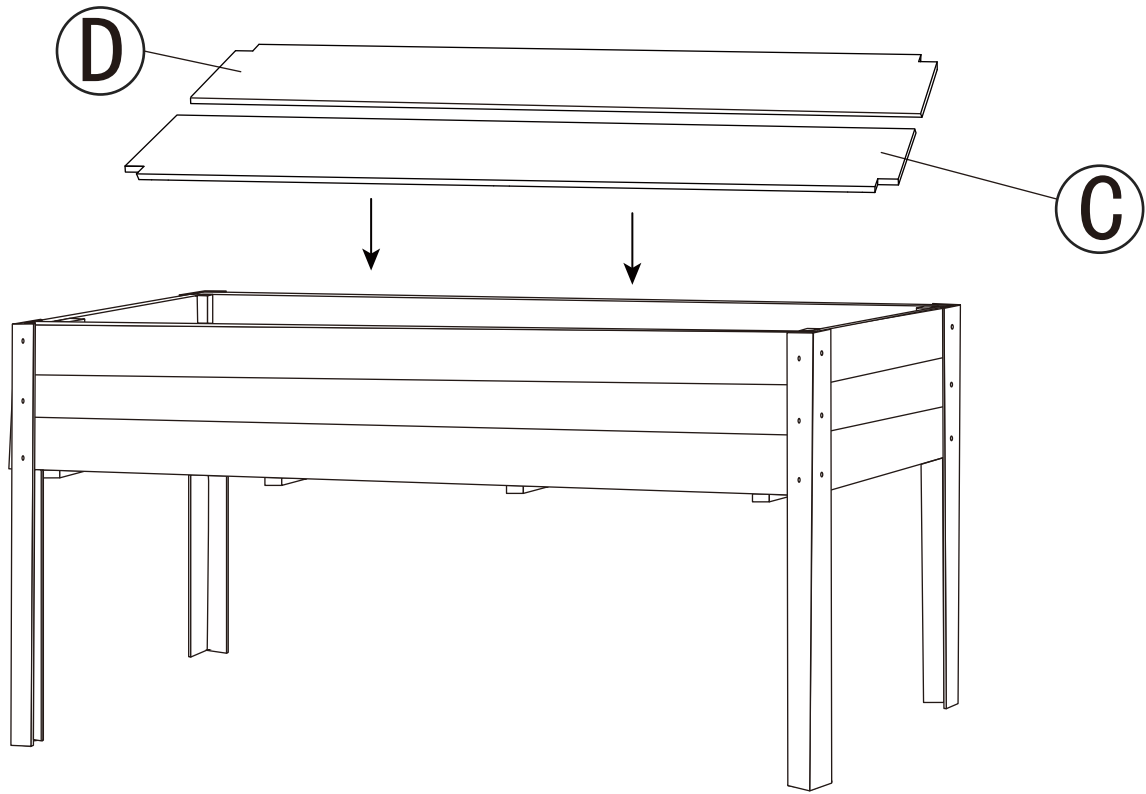
03



② M4 x 40 mm x 8 Pieces 

04





③ x 10 Pieces 

Done

