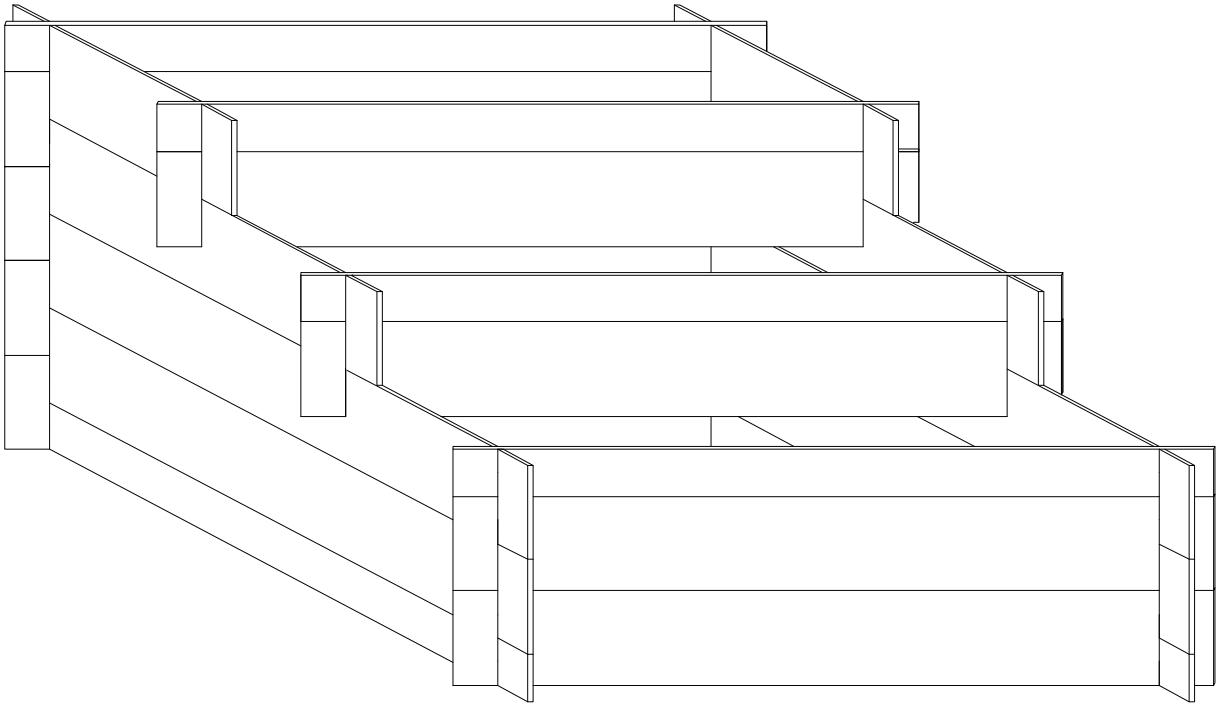




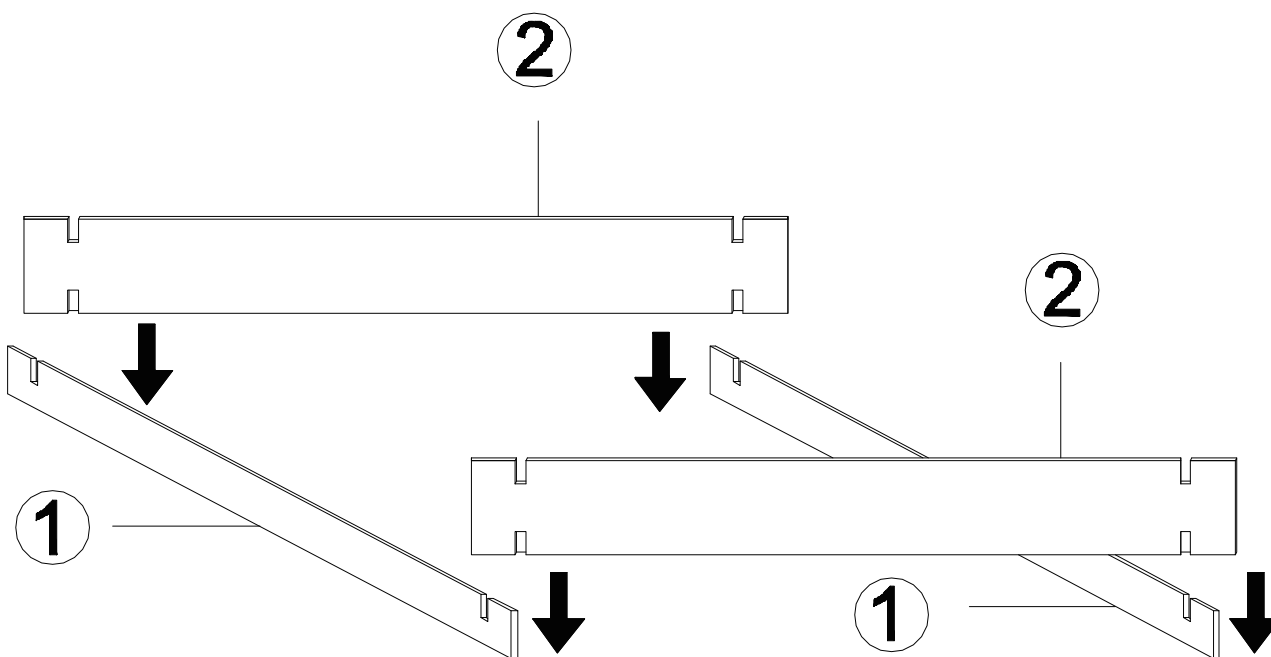
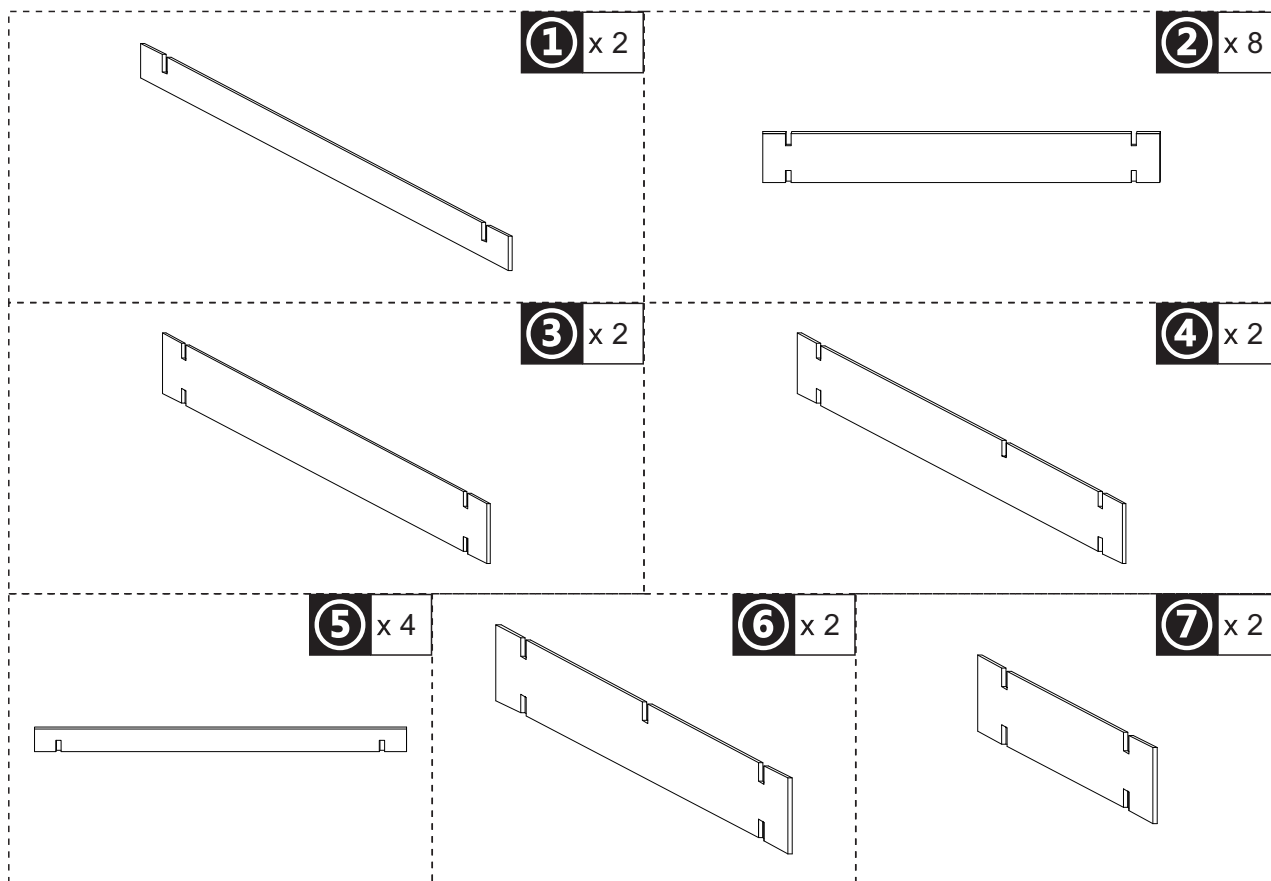
INbmb152V01\_GL

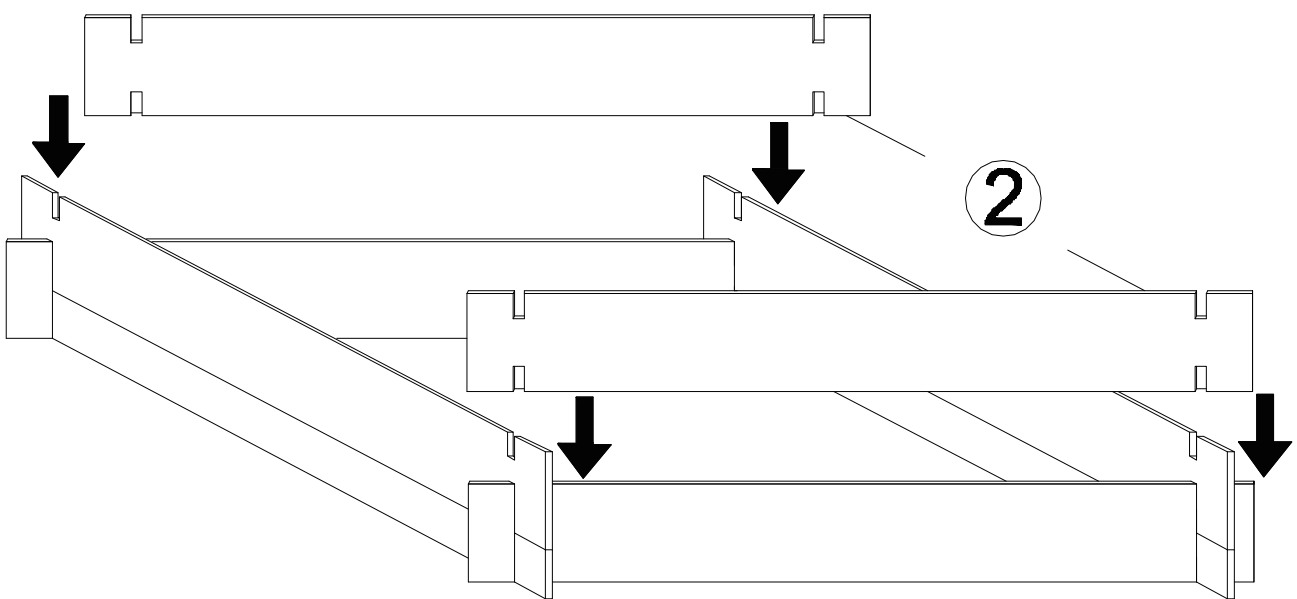
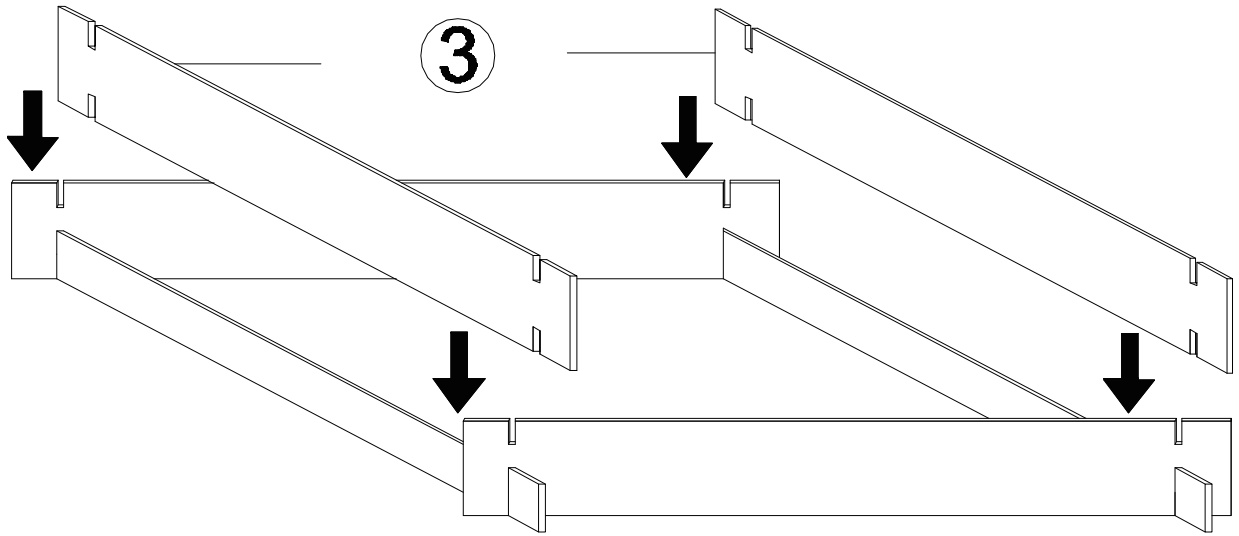
**845-535**

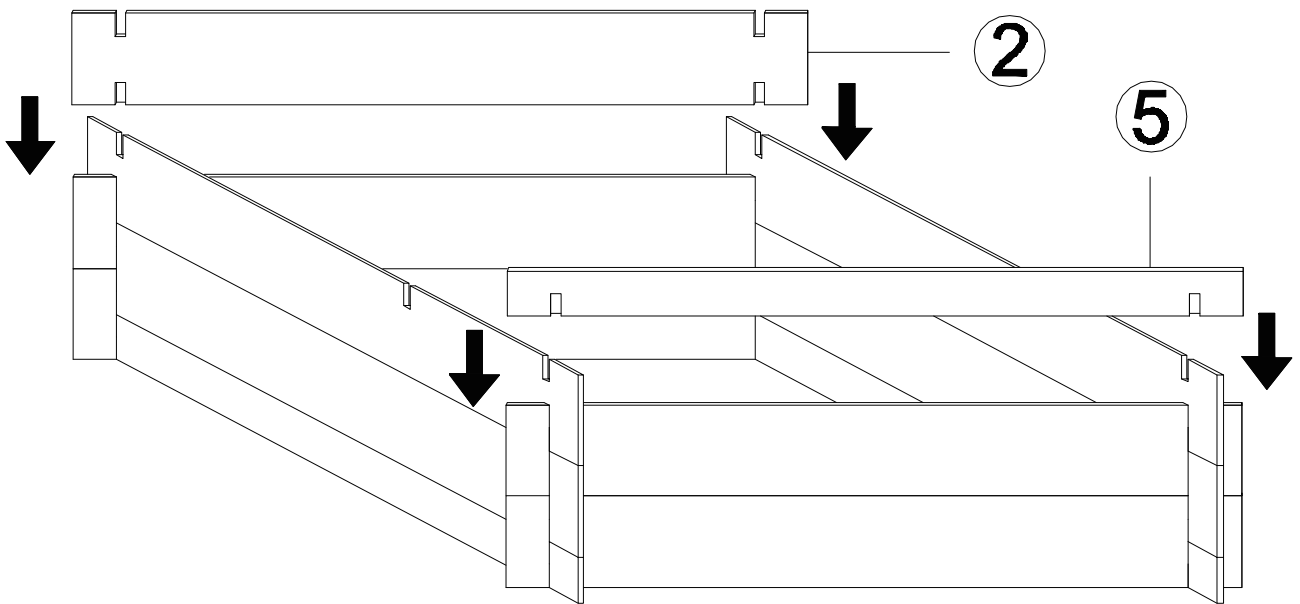
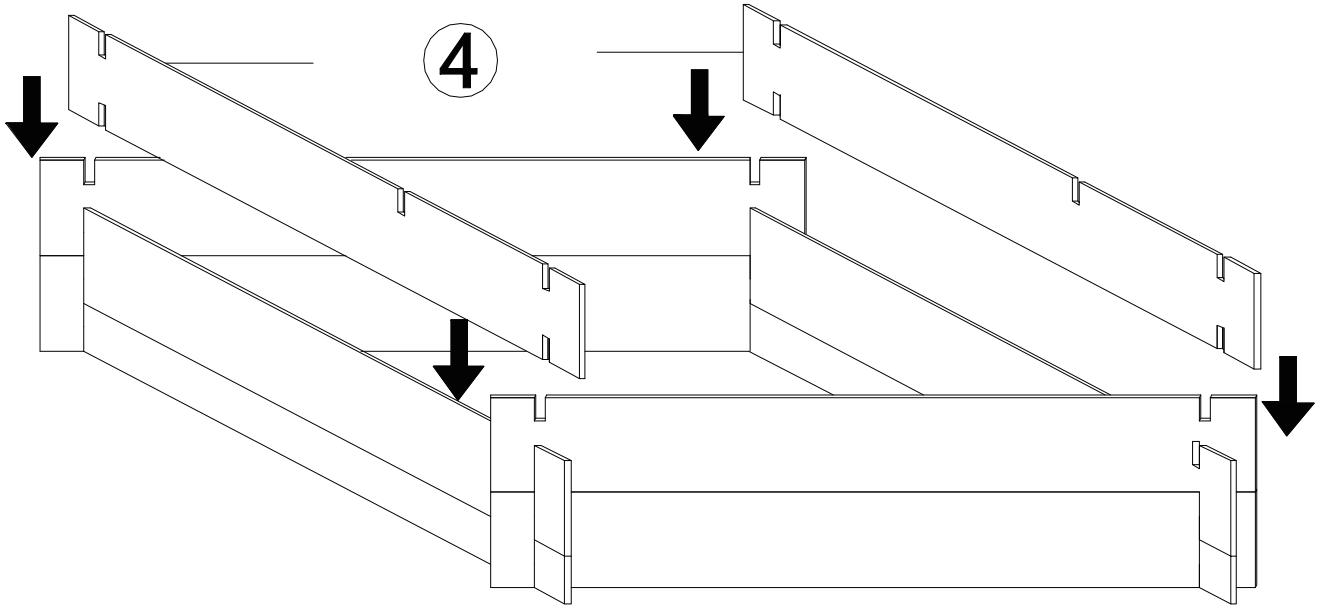


IMPORTANT, RETAIN FOR FUTURE REFERENCE: READ CAREFULLY

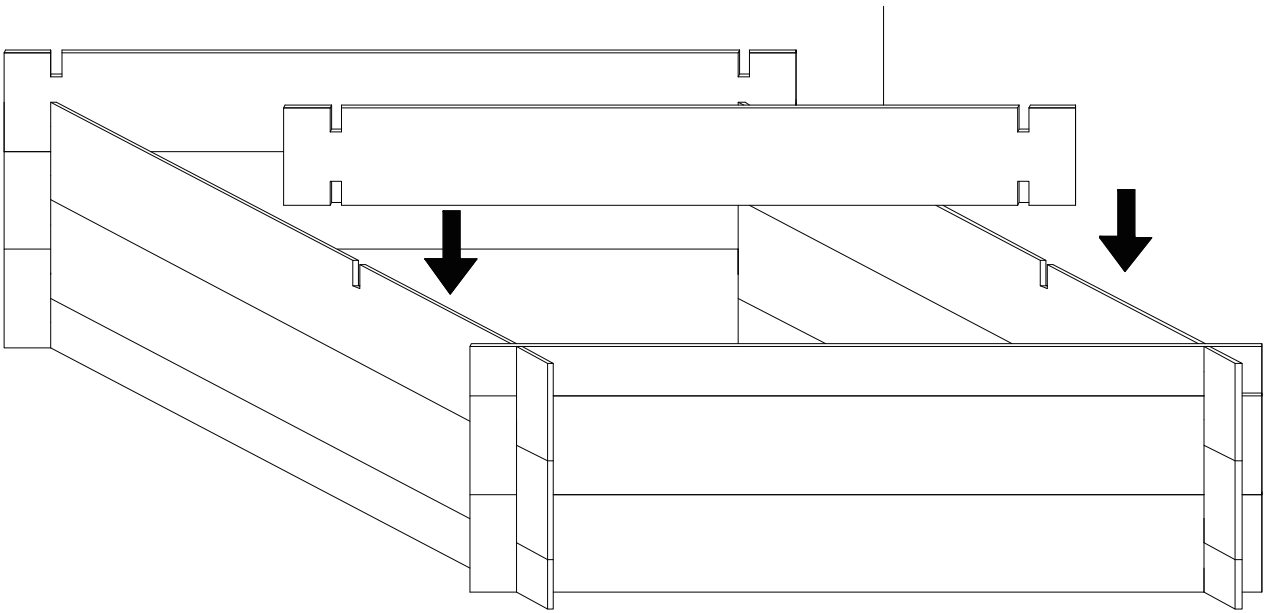
# ASSEMBLY & INSTRUCTION MANUAL



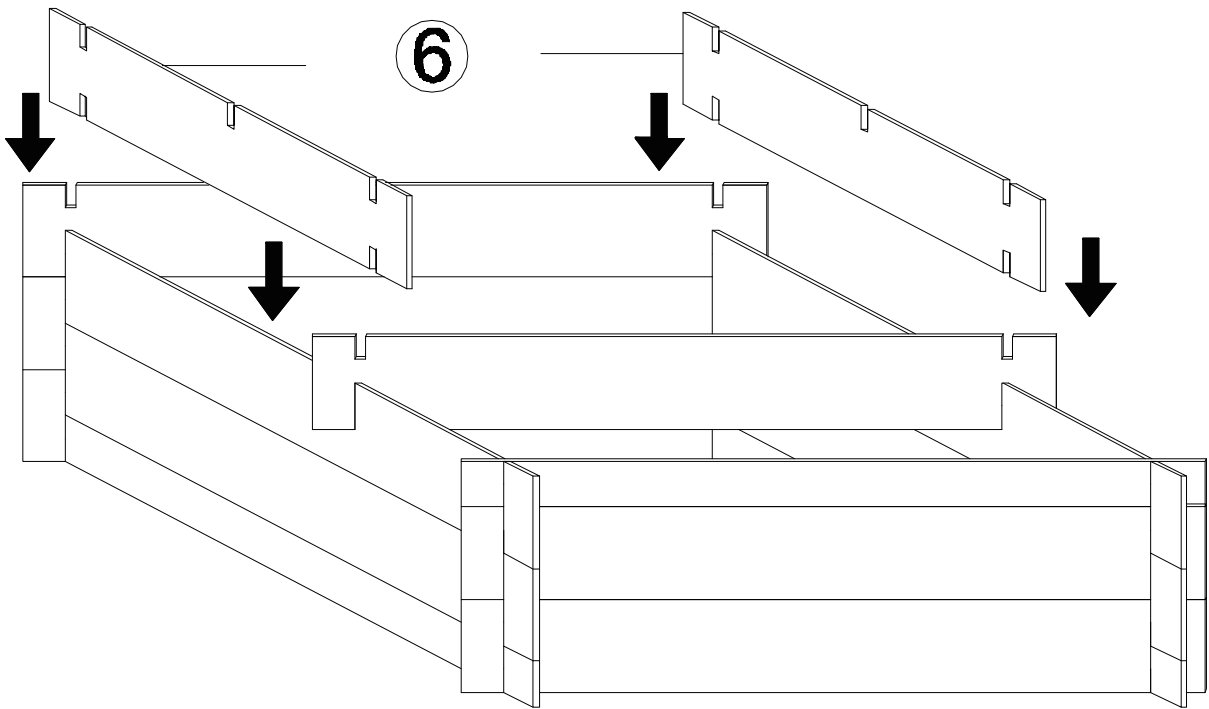


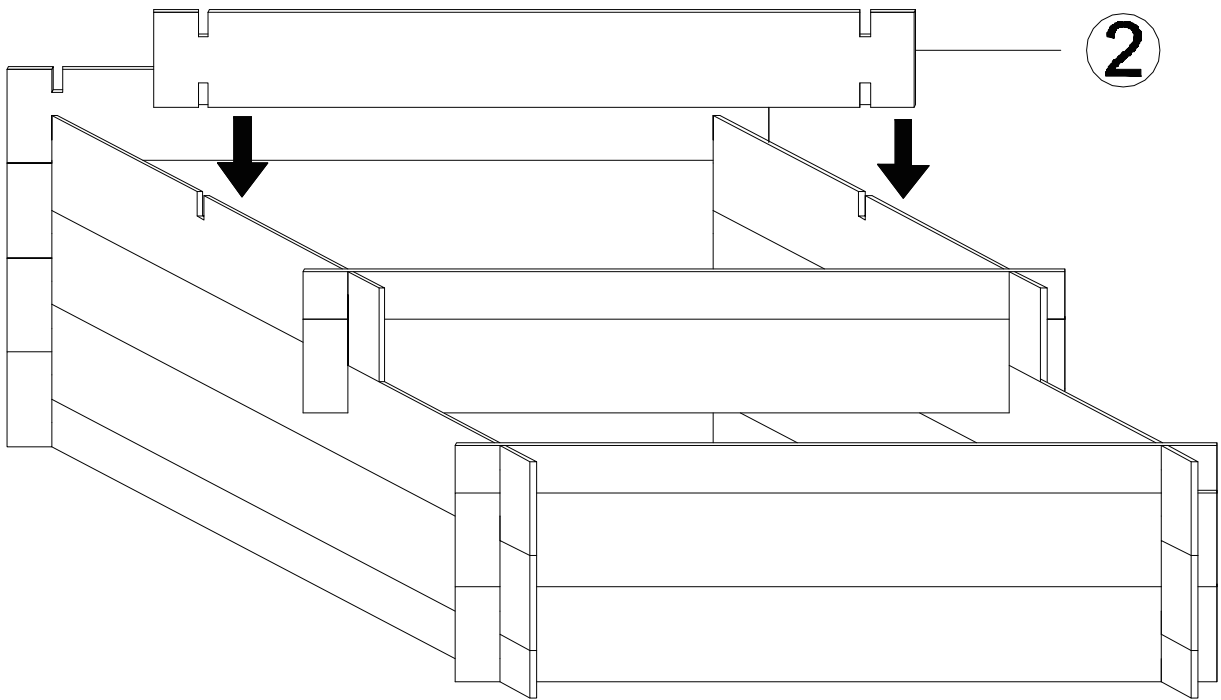
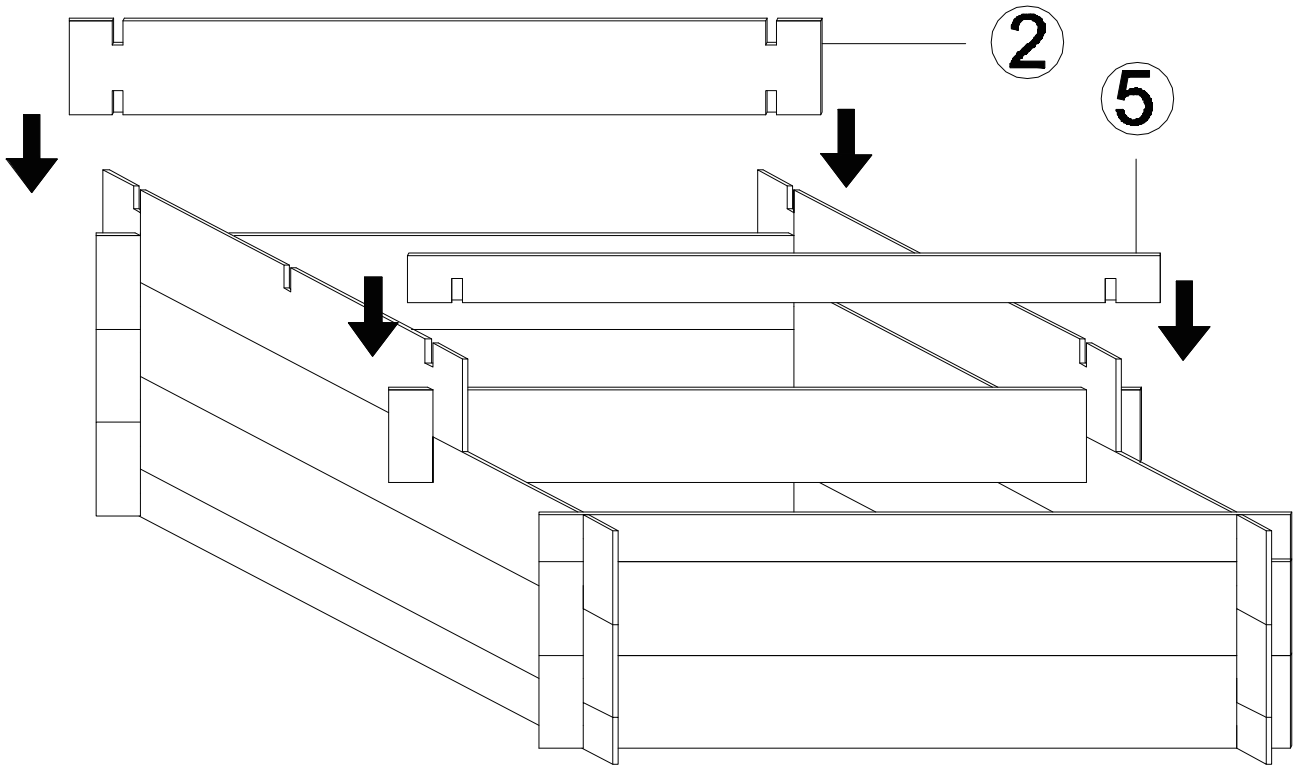


2

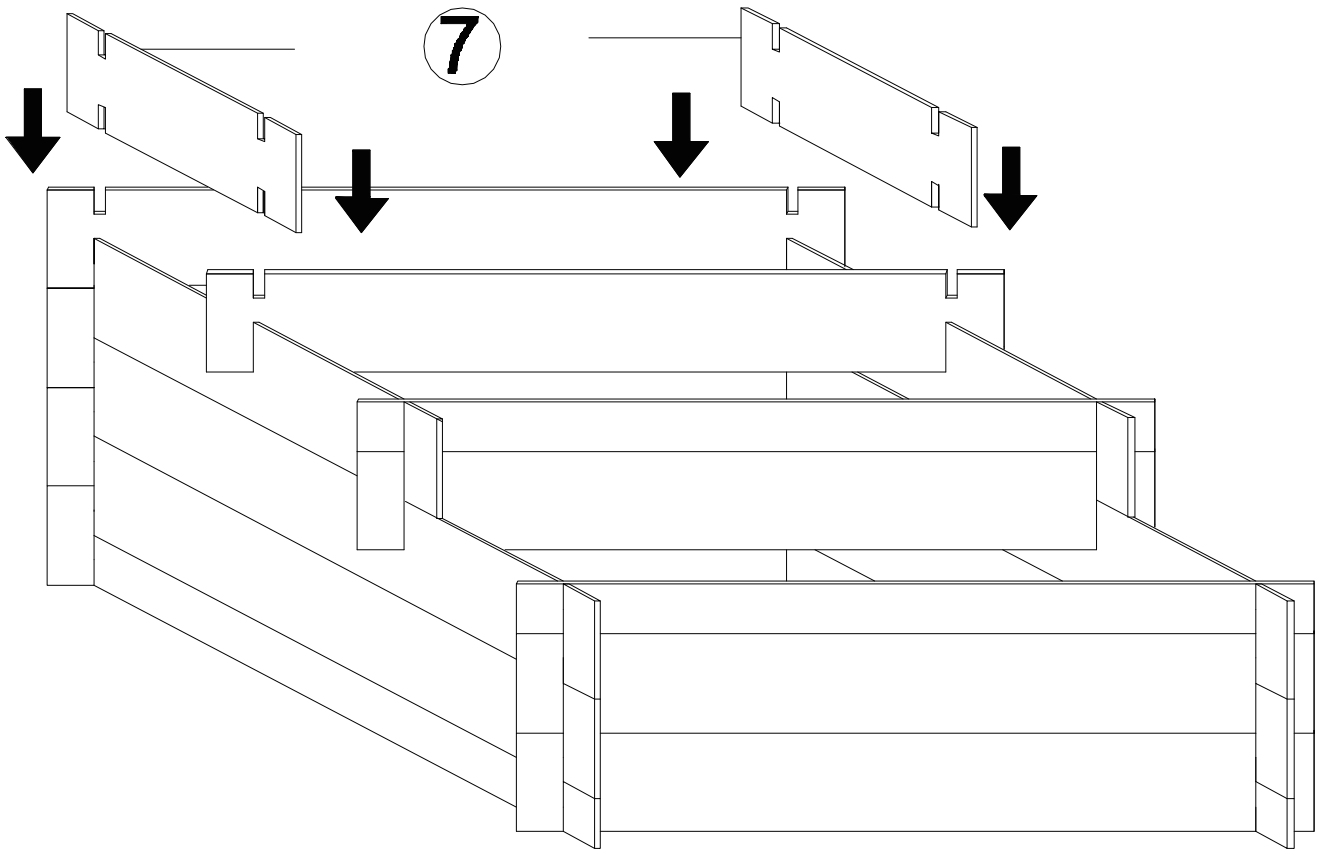


6





7



5

