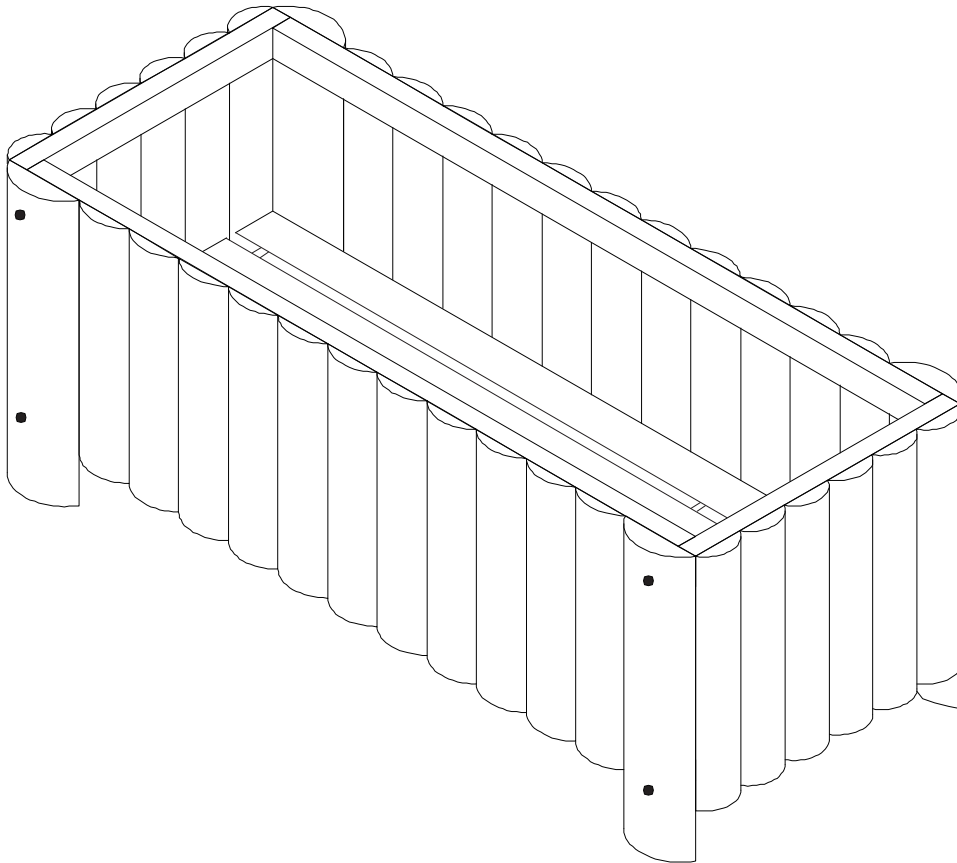




INbmb159\_GL

845-100\_845-101\_845-102

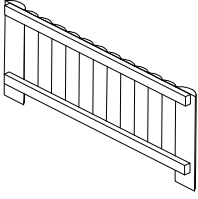


IMPORTANT, RETAIN FOR FUTURE REFERENCE: READ CAREFULLY

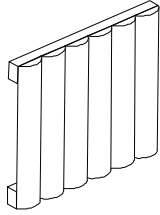
# ASSEMBLY & INSTRUCTION MANUAL

**PARTS**

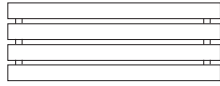
**A** x 2



**B** x 2



**C** x 1



**HARDWARE**

**S1** x 8  
M3.5\*30  
+1(spare)



**A** x01



**B** x02



**C** x01

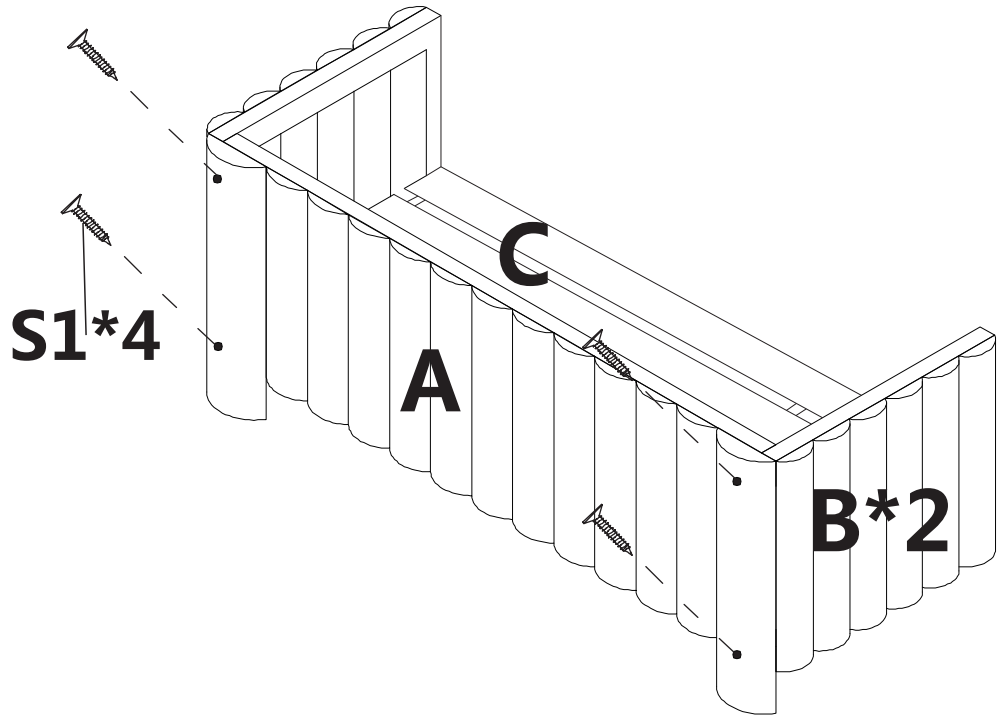


**S1** x04

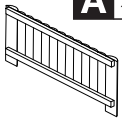


3.5\*30mm

**01**



**A** x01

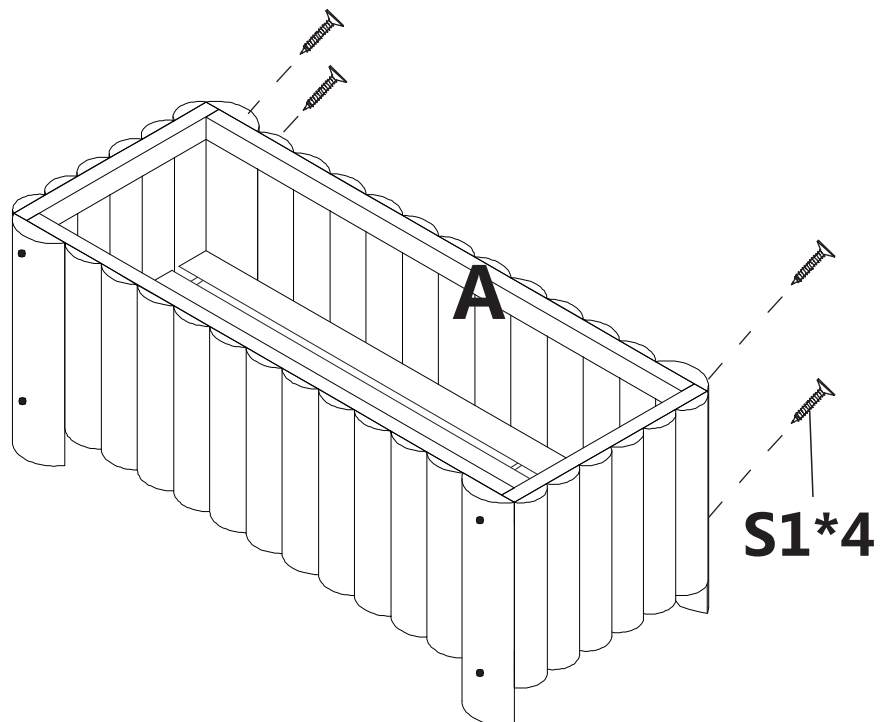


**S1** x04



3.5\*30mm

**02**



**Done**