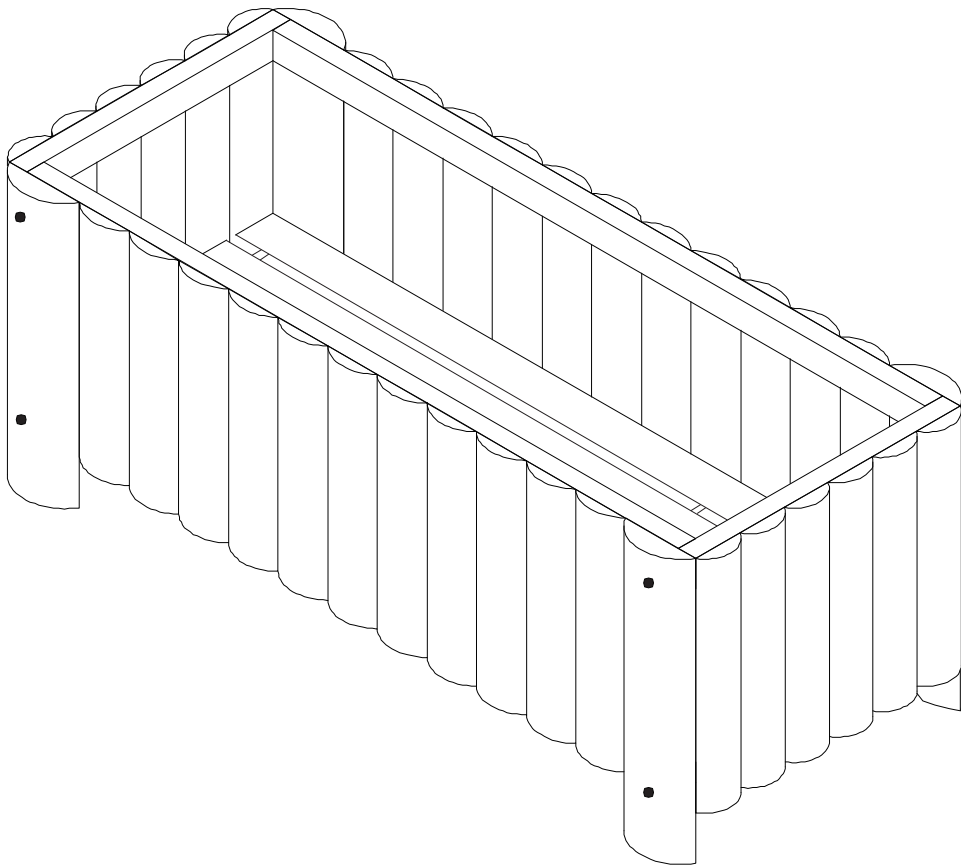




INbmb160_GL

845-103_845-104

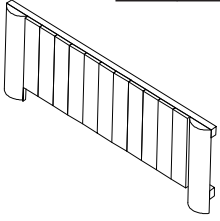


IMPORTANT, RETAIN FOR FUTURE REFERENCE: READ CAREFULLY

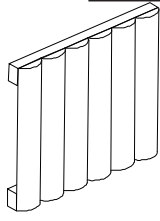
ASSEMBLY & INSTRUCTION MANUAL

PARTS

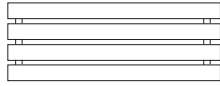
A x 2



B x 2



C x 1



HARDWARE

S1 x 8
M3.5*30
+1(spare)



01

A x01



B x02



C x01

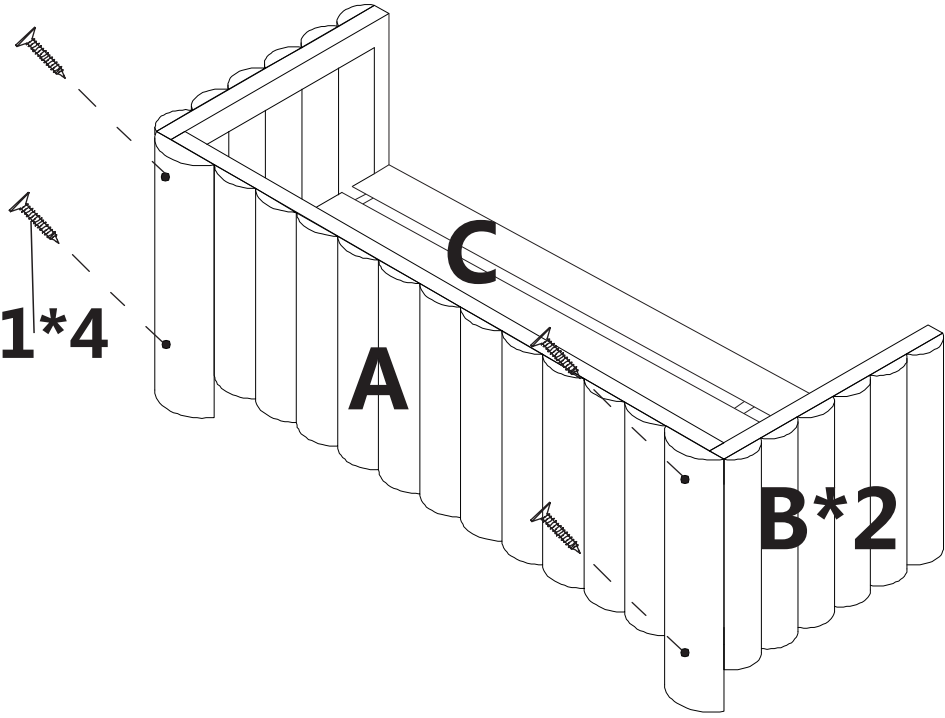


S1 x04



3.5*30mm

S1*4



02

A x01

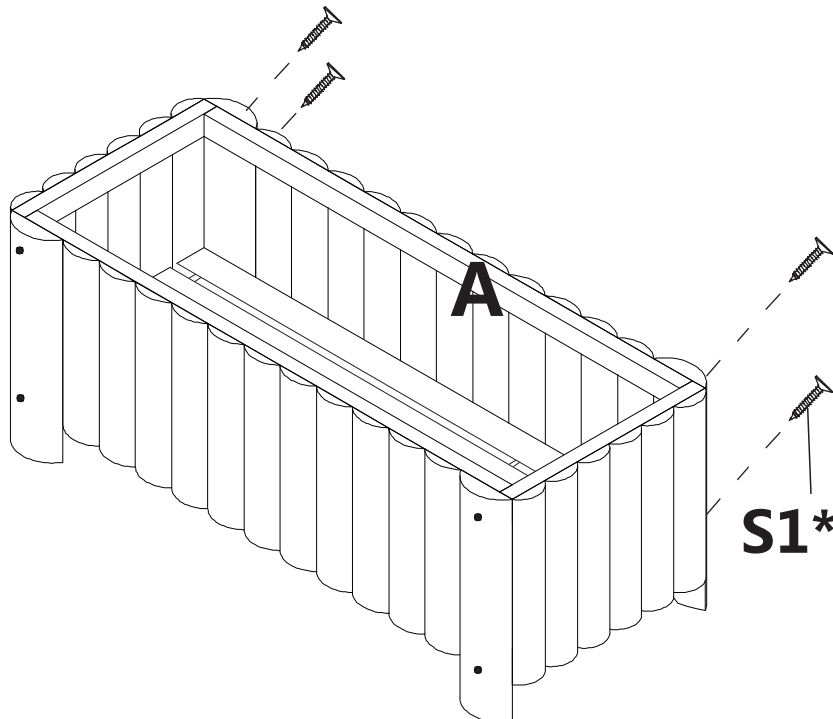


S1 x04



3.5*30mm

S1*4



Done