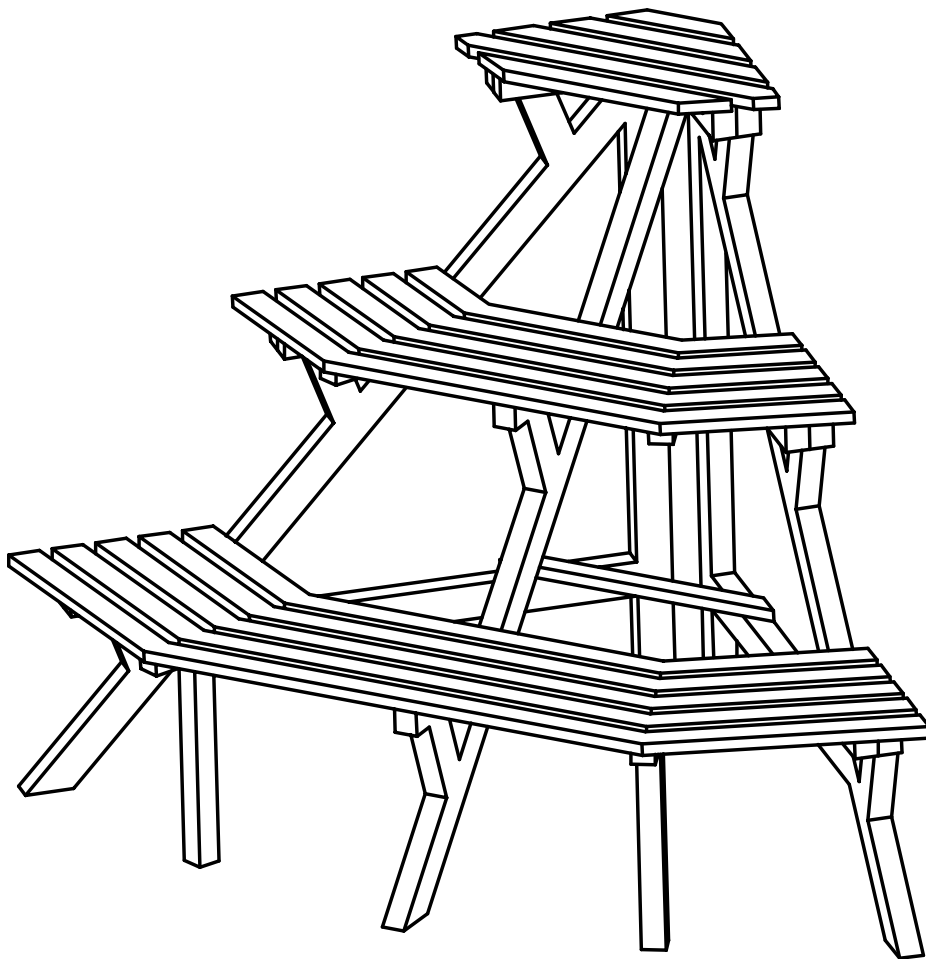




INbmc004V01_GL

845-445

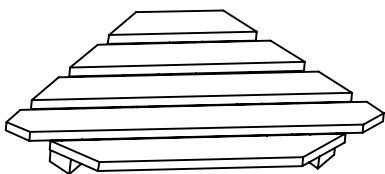


IMPORTANT, RETAIN FOR FUTURE REFERENCE: READ CAREFULLY

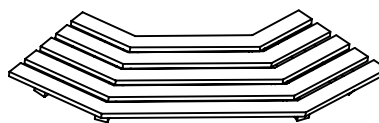
ASSEMBLY & INSTRUCTION MANUAL

PARTS

A x 1



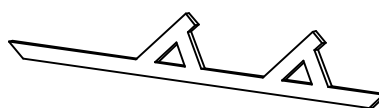
B x 1



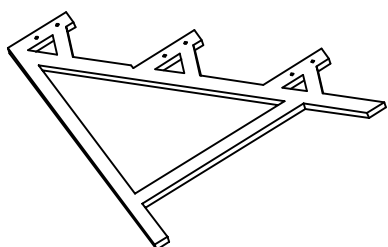
C x 1



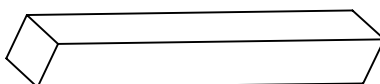
D x 1



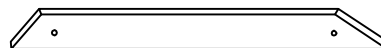
E x 2



F x 2



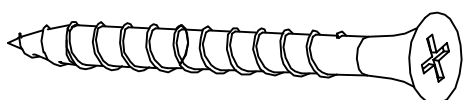
G x 1



HARDWARE

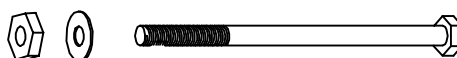
H x 9

M3.5*30
+1(spare)

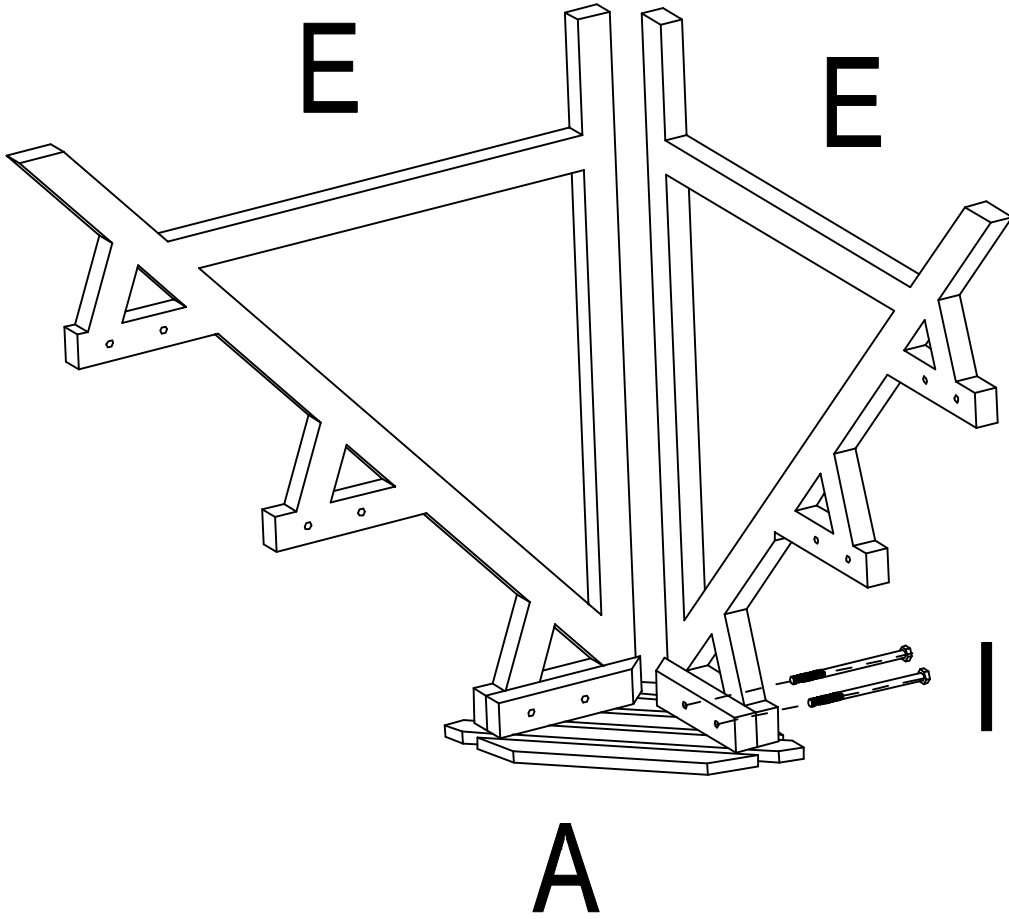


I x12

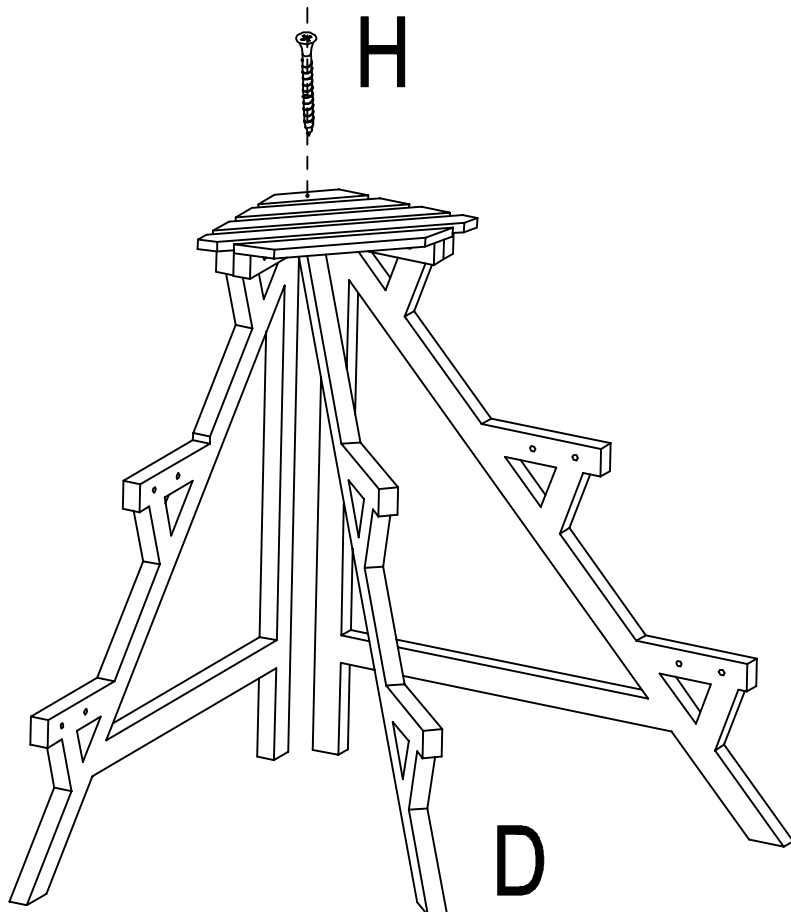
M6*40
+1(spare)



I x 4
M6*40

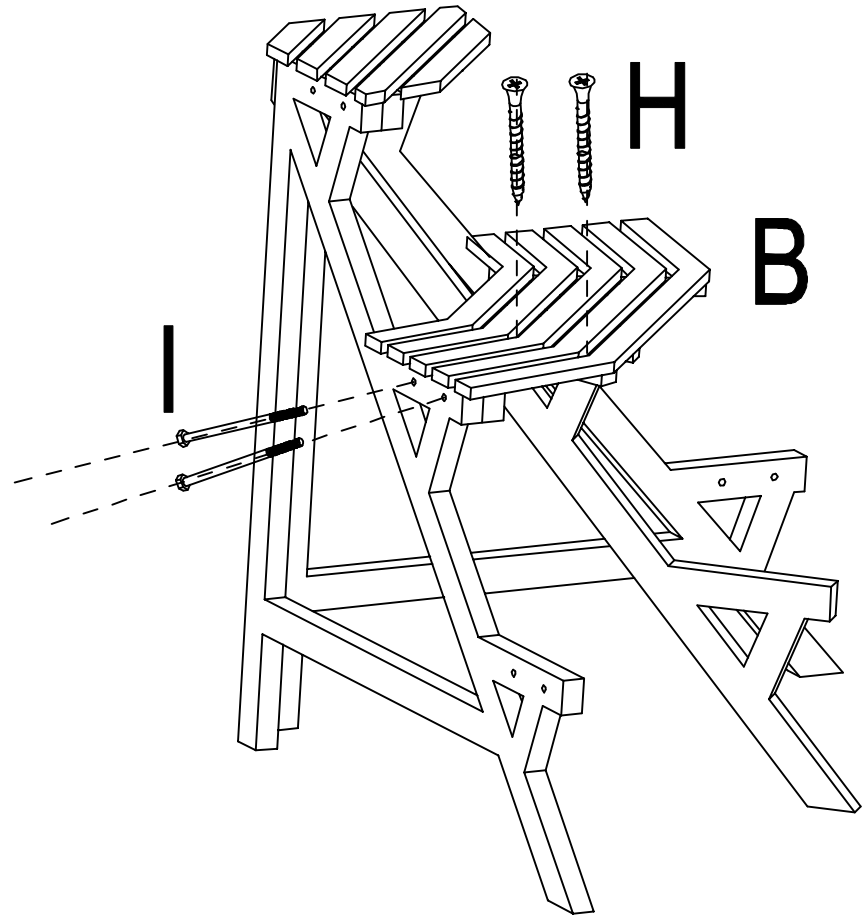


H x 1
M3.5*30



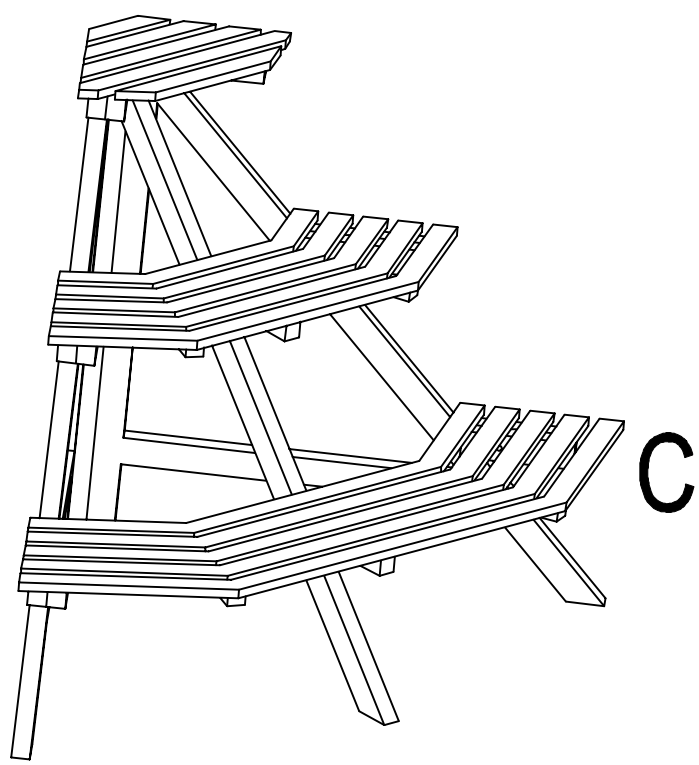
H x 2
M3.5*30

I x 4
M6*40

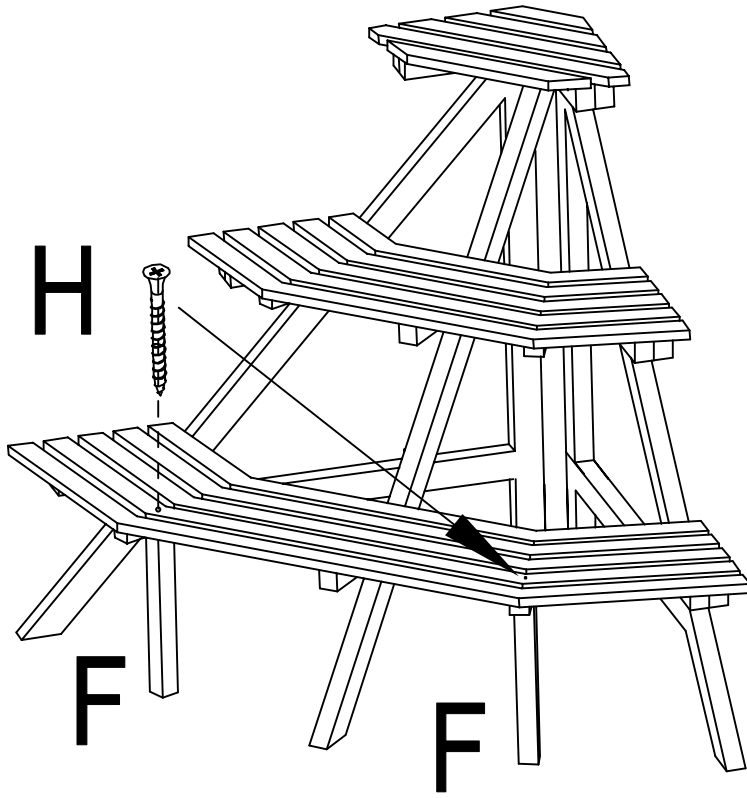


H x 2
M3.5*30

I x 4
M6*40



H x 2
M3.5*30



H x 2
M3.5*30

