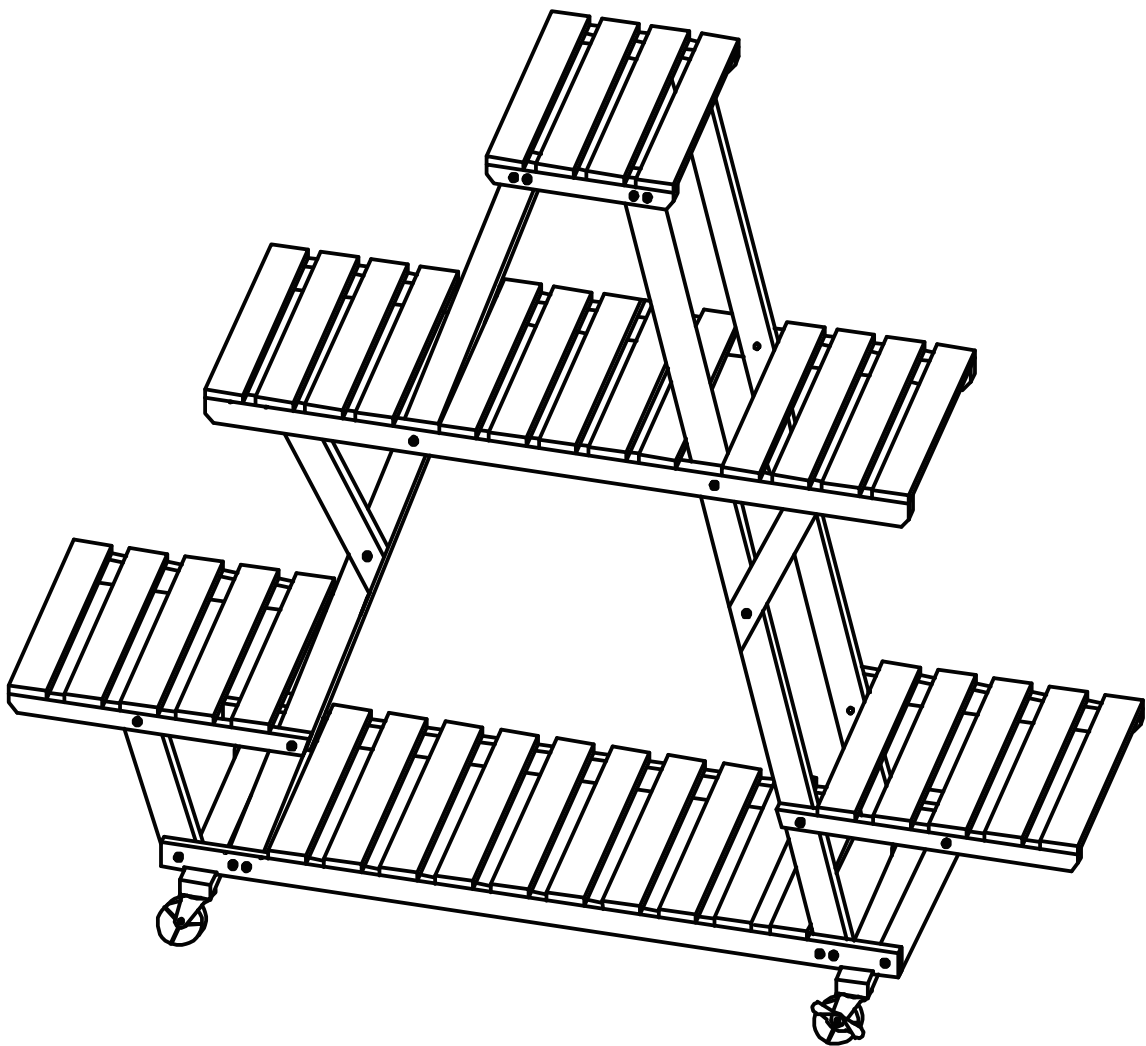




INbmc013_GL

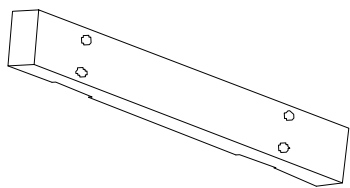
845-394



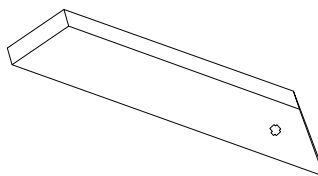
READ AND SAVE THIS INSTRUCTIONS FOR FUTURE USE

ASSEMBLY & INSTRUCTION MANUAL

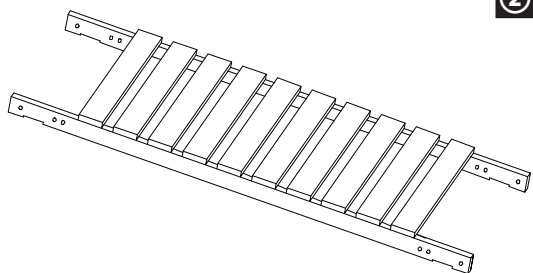
① x 2



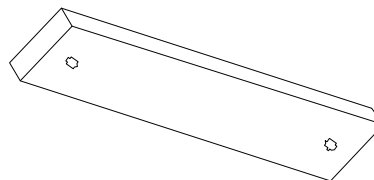
⑦ x 4



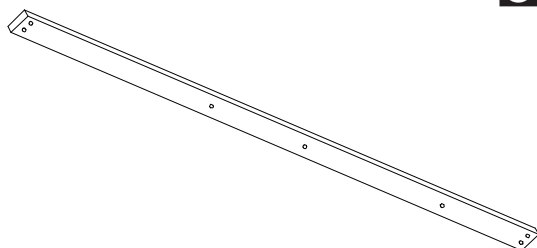
② x 1



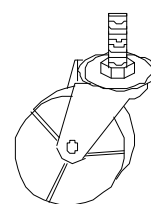
⑧ x 4



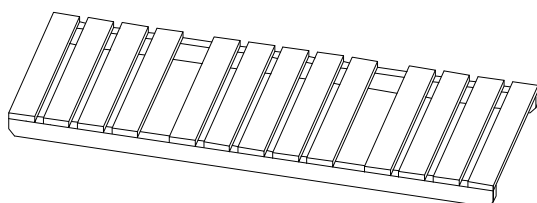
③ x 4



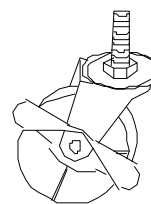
⑨ x 2



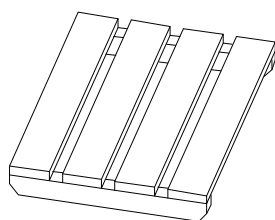
④ x 1



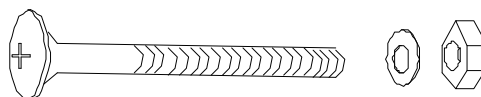
⑩ x 2



⑤ x 1

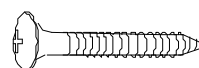


A x 36



M6*45

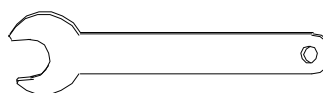
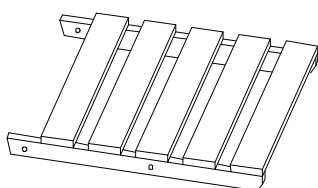
B x 12



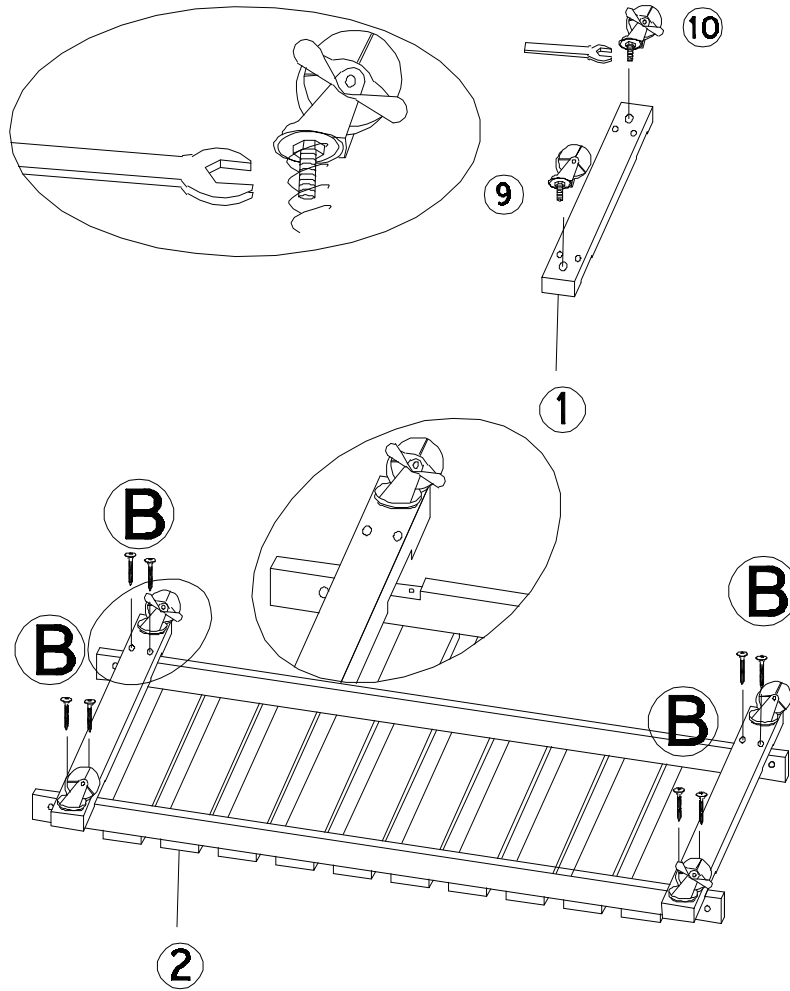
⑥ x 2

M4.2*45

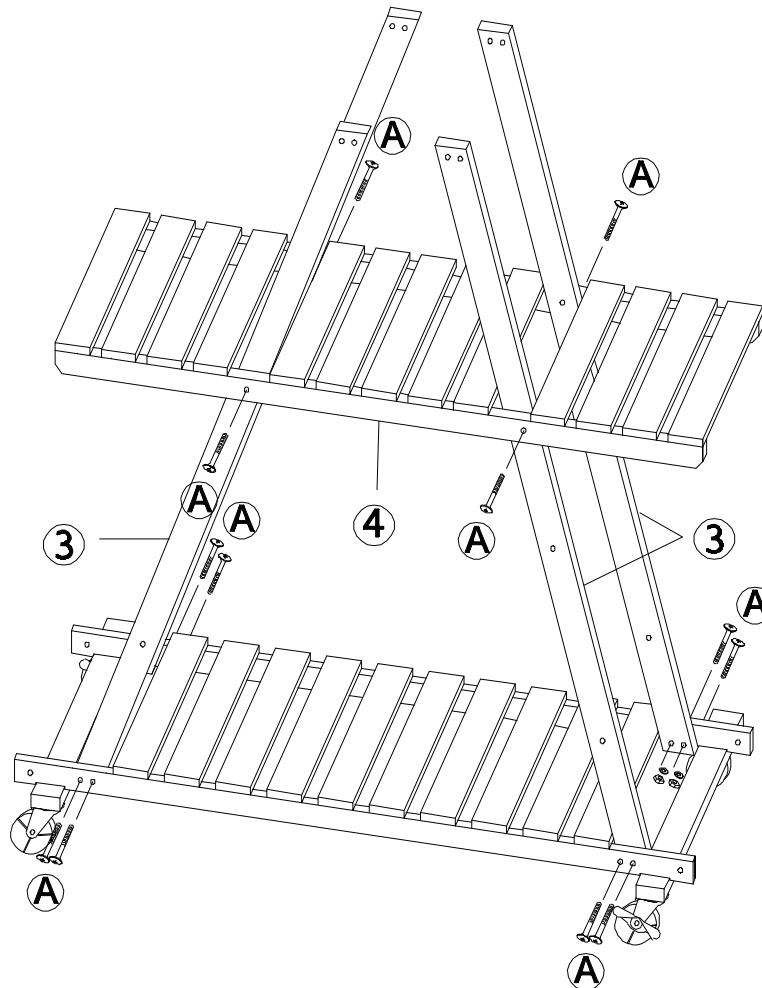
C x 1



B x 8

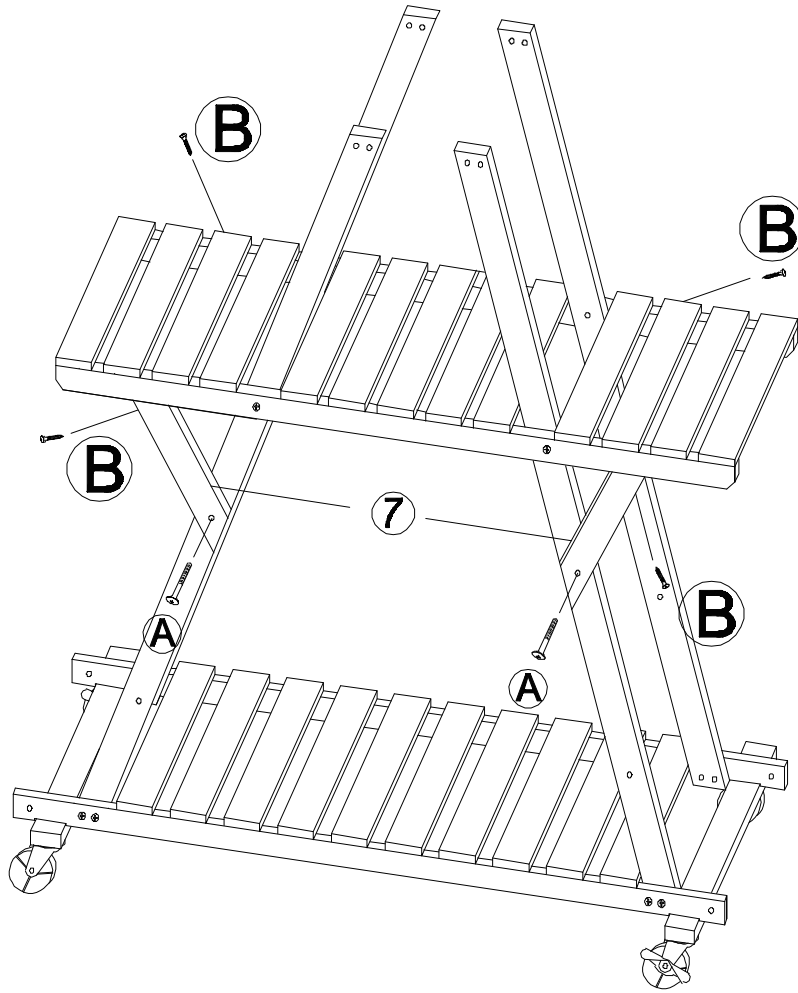


A x 12

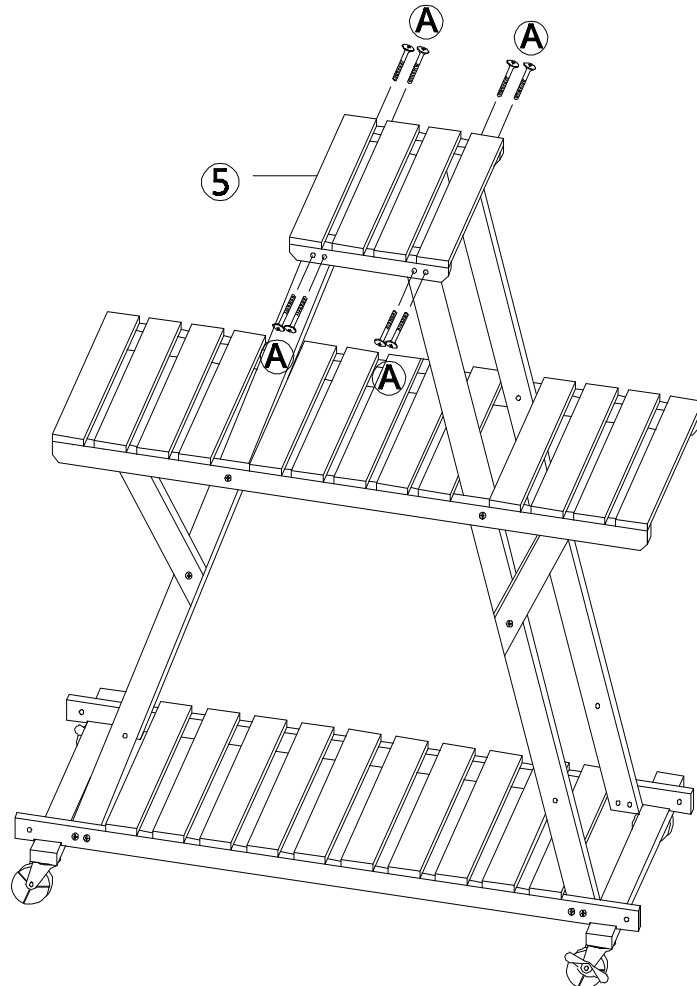


A x 4

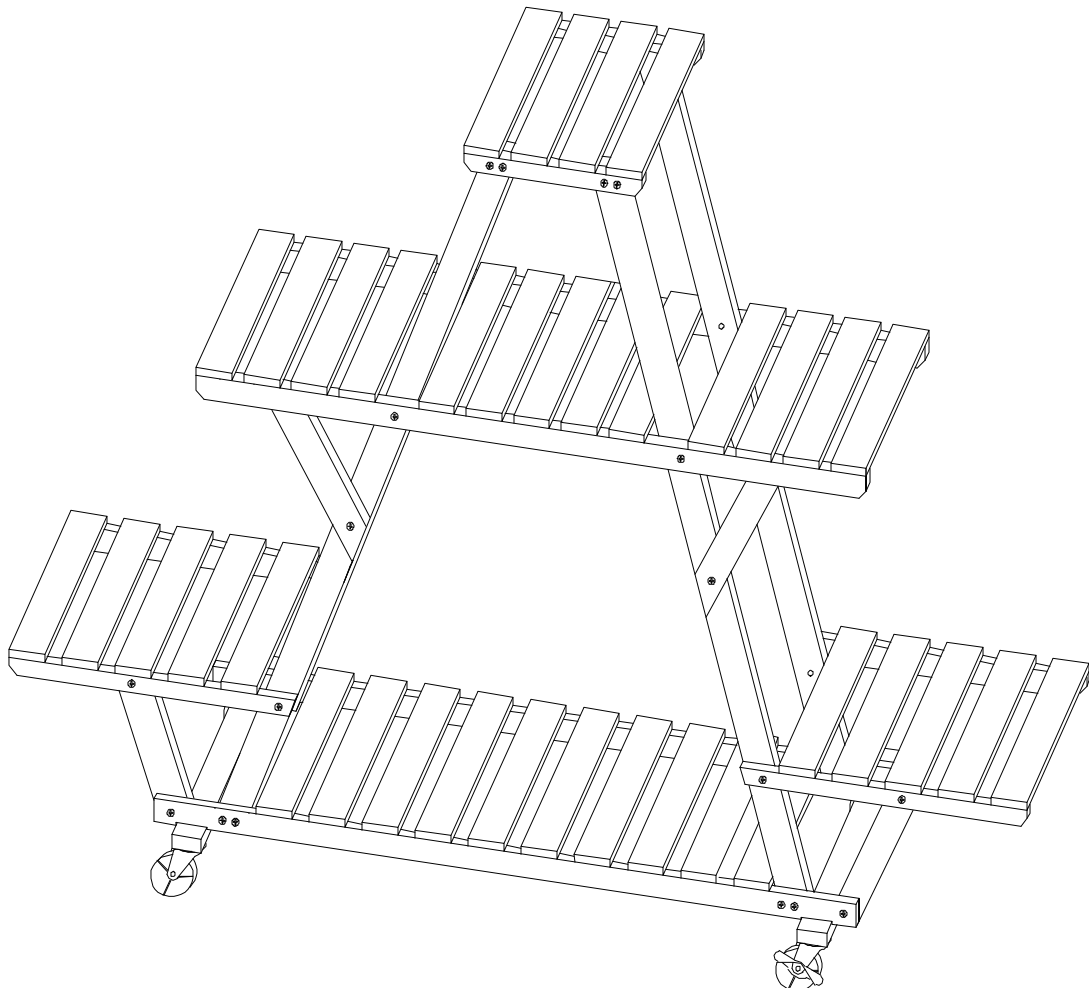
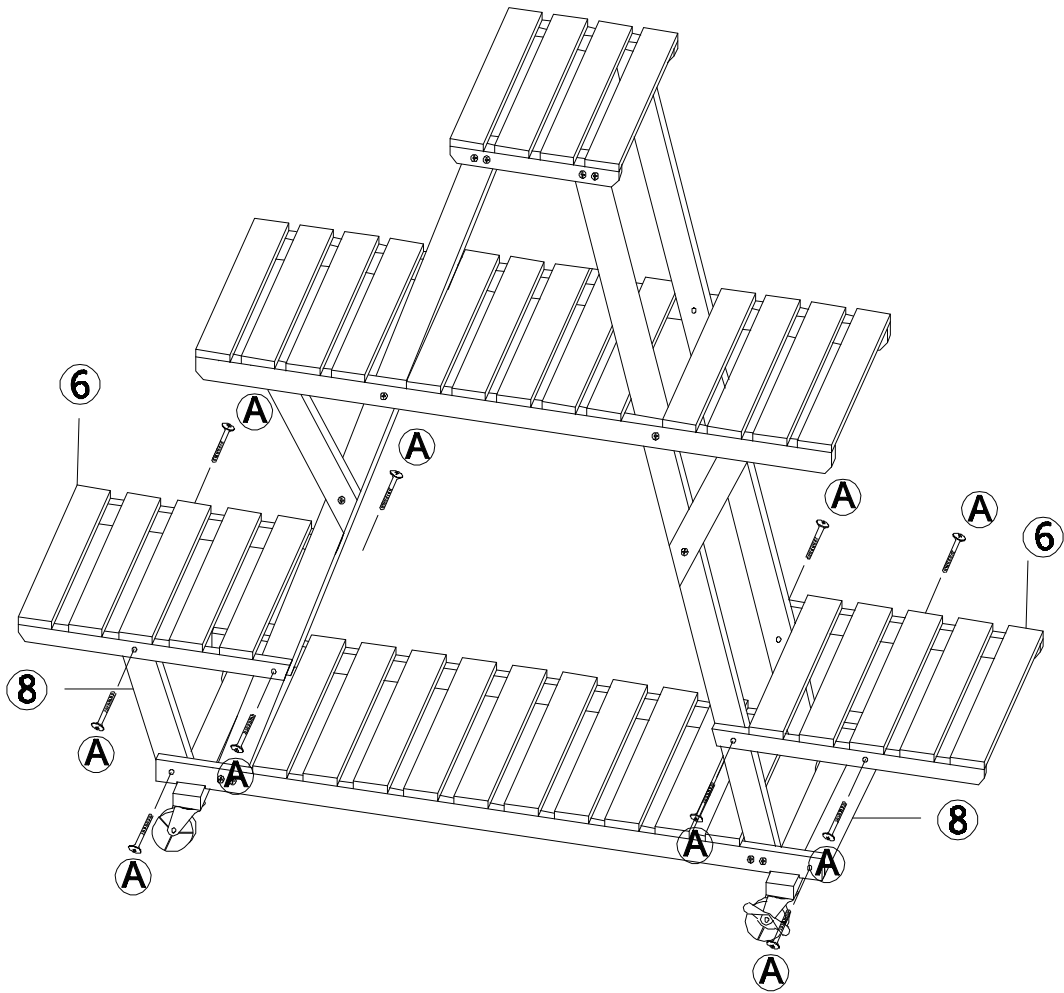
B x 4



A x 8



A x12



US



001-877-644-9366
customerservice@aosom.com

CA



001-855-537-6088
customerservice@aosom.ca

UK



0044-800-240-4004
enquiries@mhstar.co.uk

DE



0049-(0)40-88307530
service@aosom.de

FR



0033-1-84166106
contact@aosom.fr

ES



0034-931294512
atencioncliente@aosom.es

IT



0039-0249471447
clienti@aosom.it