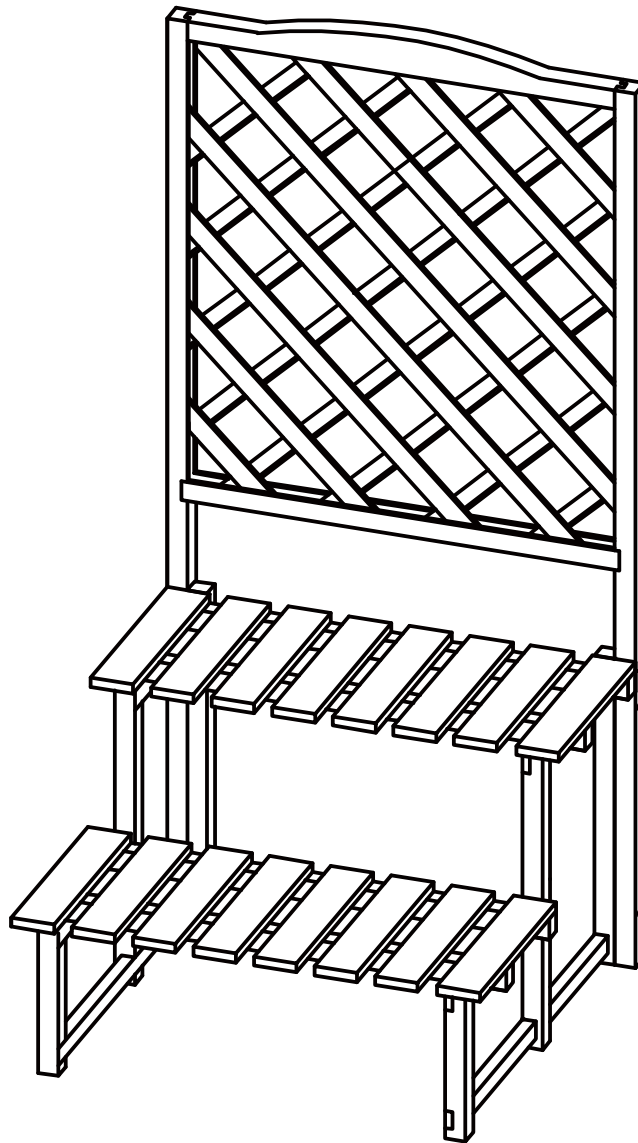




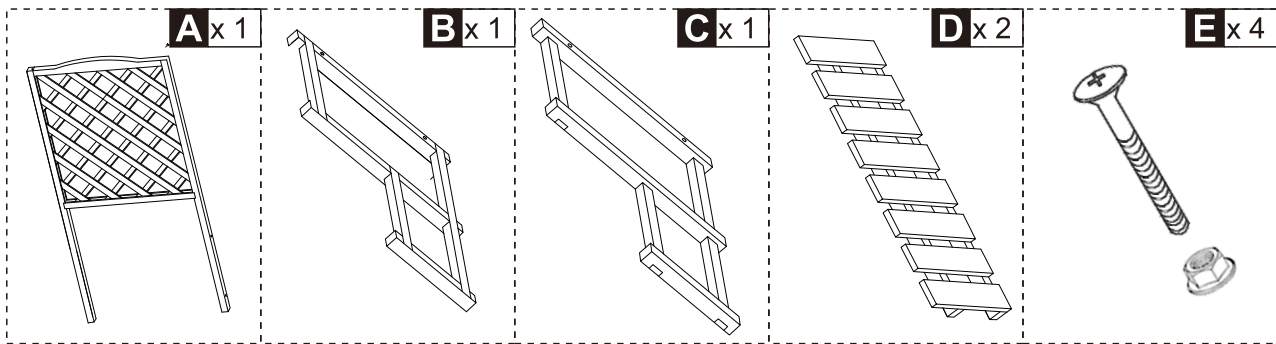
INbmc014V01_GL

845-468



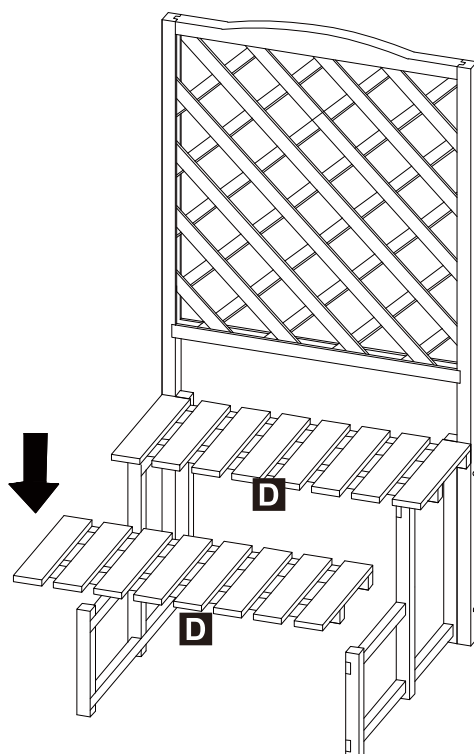
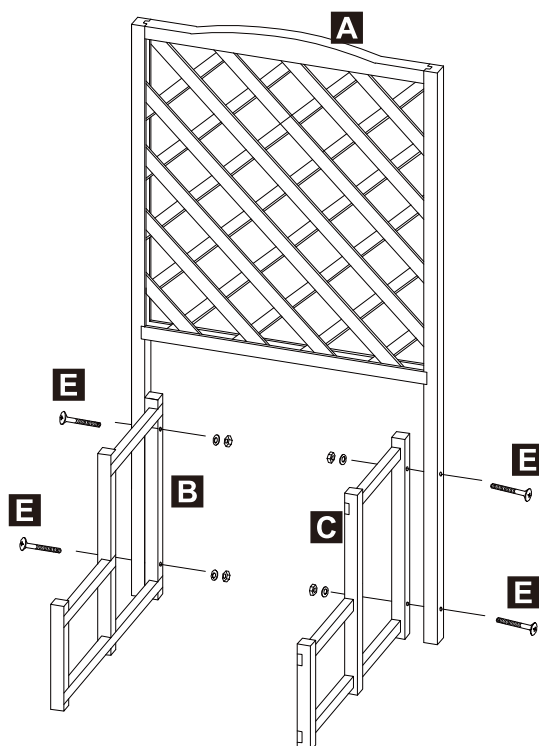
IMPORTANT, RETAIN FOR FUTURE REFERENCE: READ CAREFULLY

ASSEMBLY & INSTRUCTION MANUAL



E x 4

01



Done