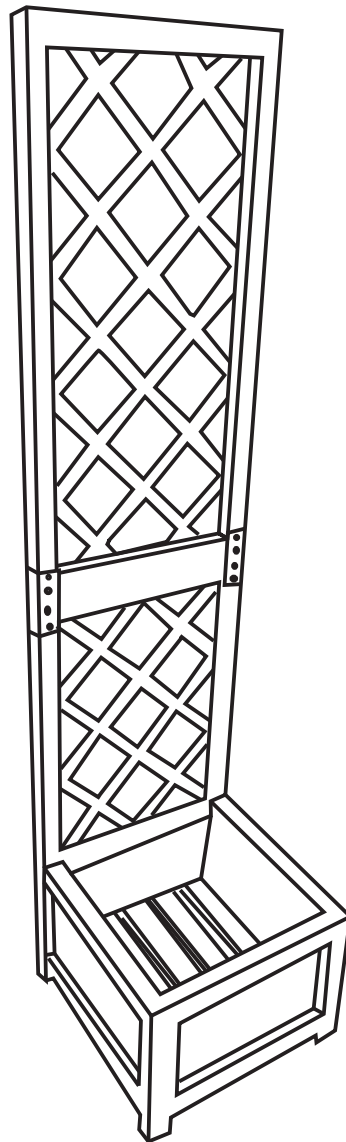




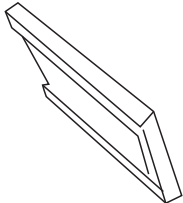
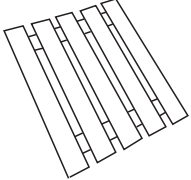

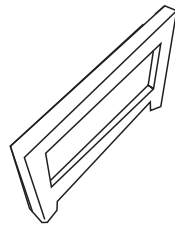
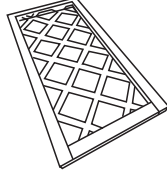
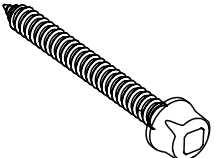
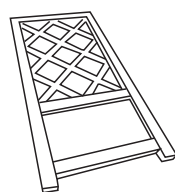
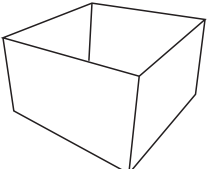
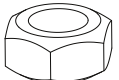
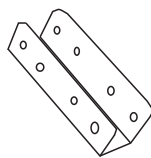
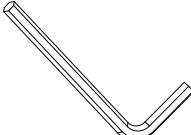
IINbmc028\_GL

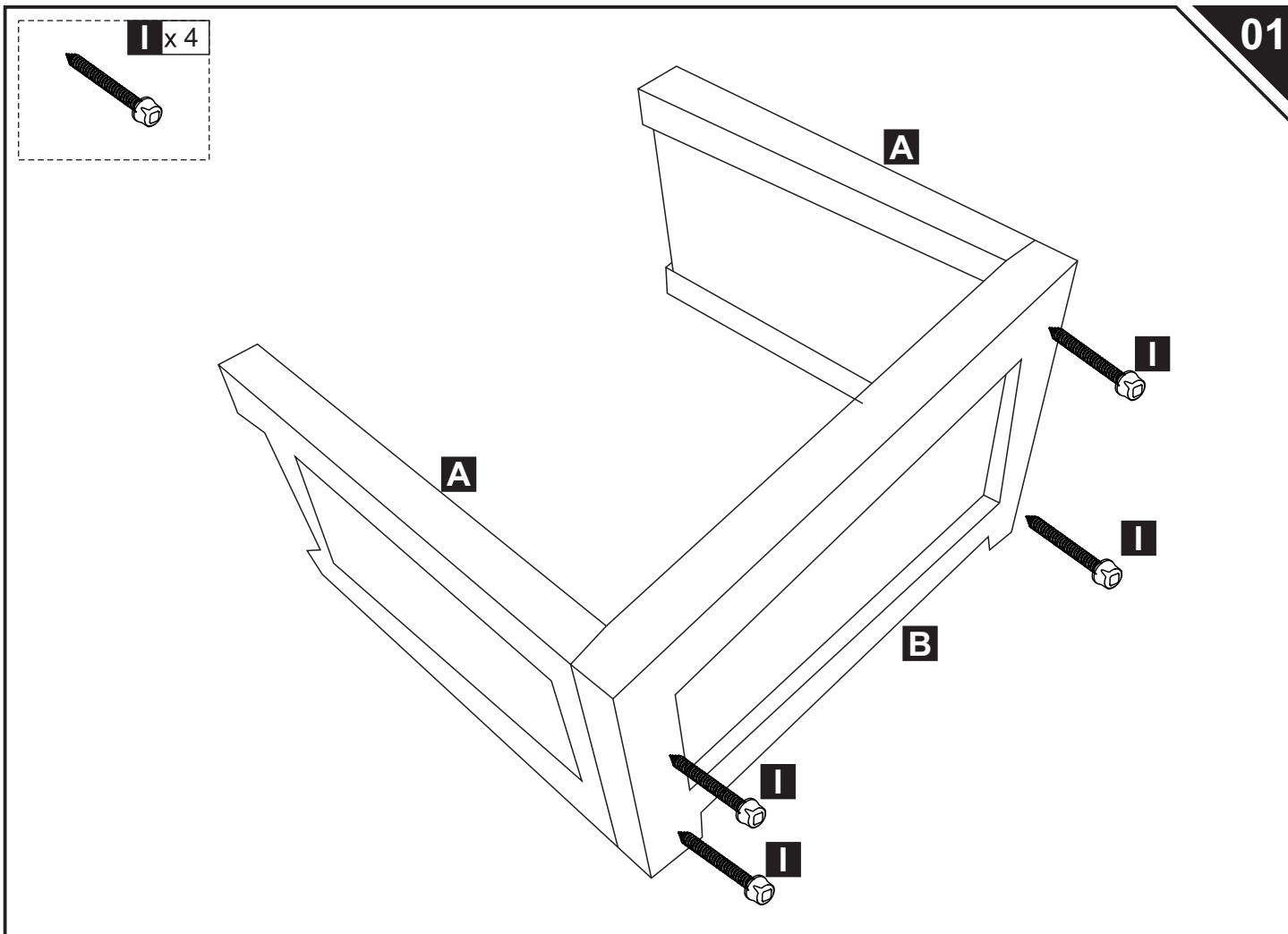
845-369\_845-369V01\_845-369V02



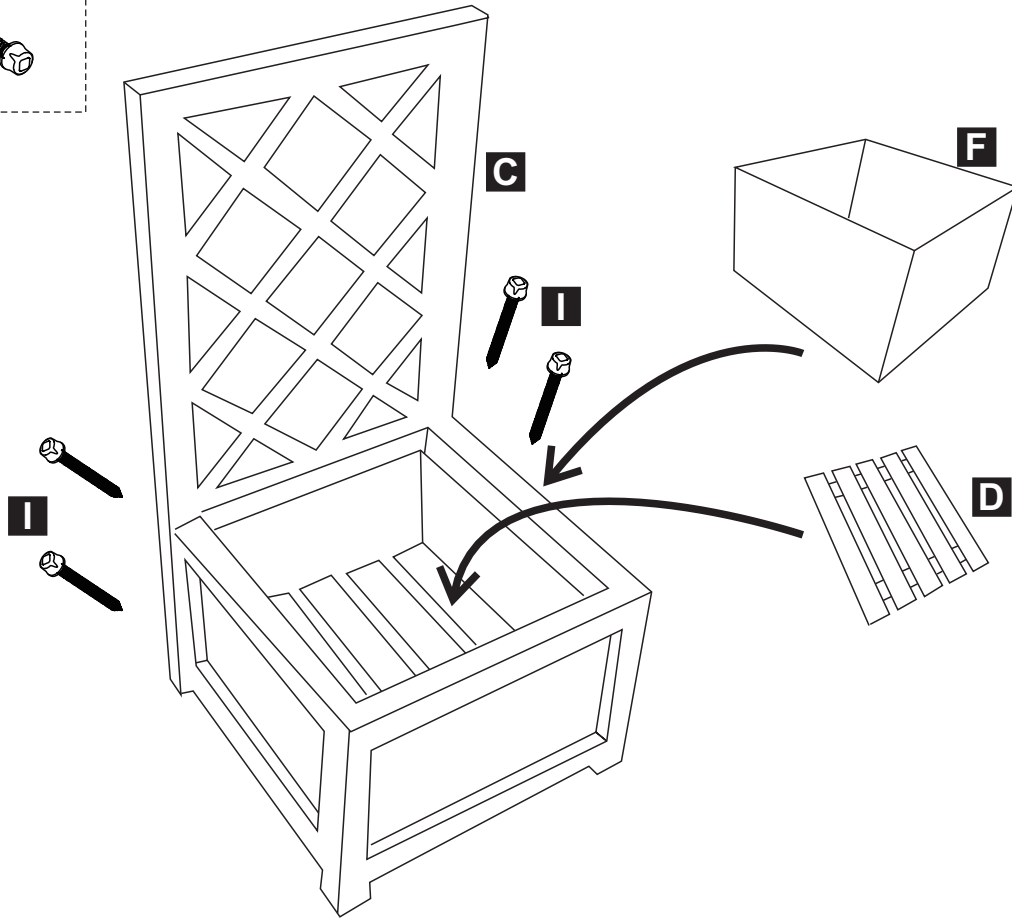
READ AND SAVE THIS INSTRUCTIONS FOR FUTURE USE

# ASSEMBLY & INSTRUCTION MANUAL

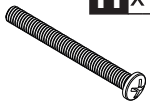
 <p><b>A x 2</b></p>	 <p><b>D x 1</b></p>	 <p><b>H x 8</b></p>
 <p><b>B x 1</b></p>	 <p><b>E x 1</b></p>	 <p><b>I x 8</b></p>
 <p><b>C x 1</b></p>	 <p><b>F x 1</b></p>	 <p><b>J x 8</b></p>
	 <p><b>G x 2</b></p>	 <p><b>K x 1</b></p>



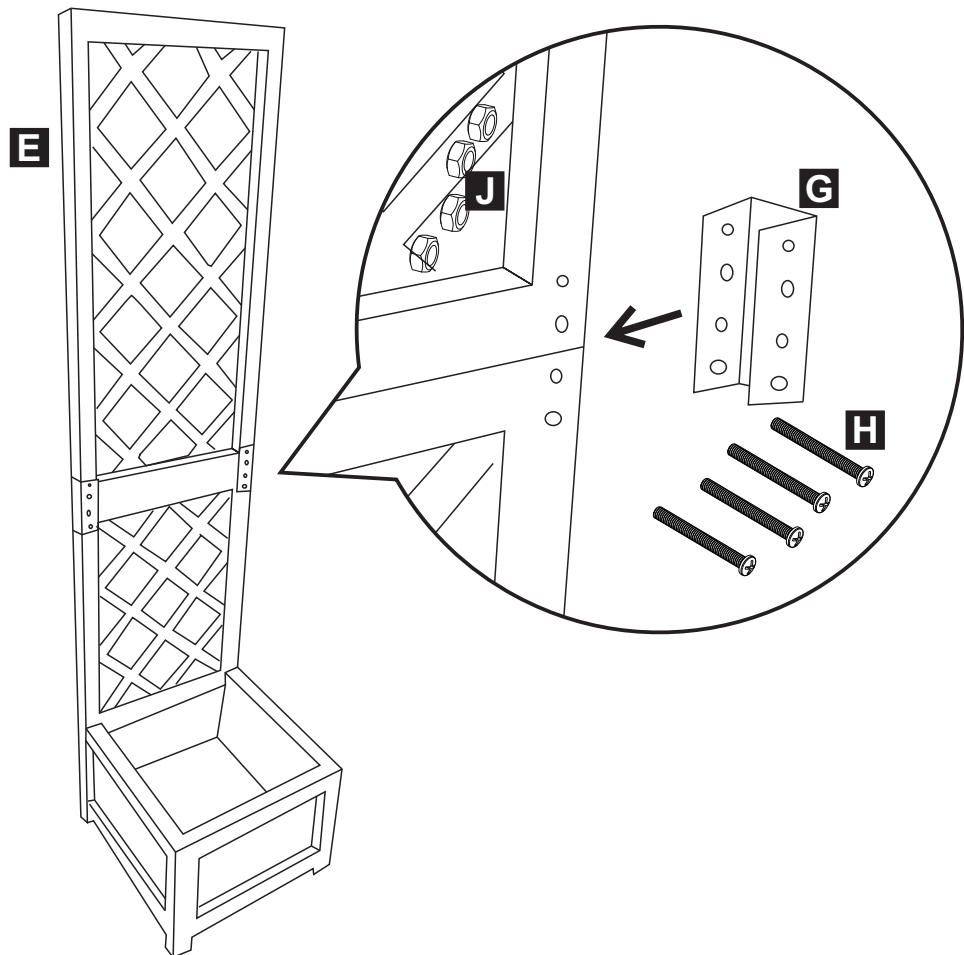
I x 4



H x 8



J x 8



US



001-877-644-9366  
customerservice@aosom.com

CA



001-855-537-6088  
customerservice@aosom.ca

UK



0044-800-240-4004  
enquiries@mhstar.co.uk

DE



0049-(0)40-88307530  
service@aosom.de

FR



0033-1-84166106  
contact@aosom.fr

ES



0034-931294512  
atencioncliente@aosom.es

IT



0039-0249471447  
clienti@aosom.it