



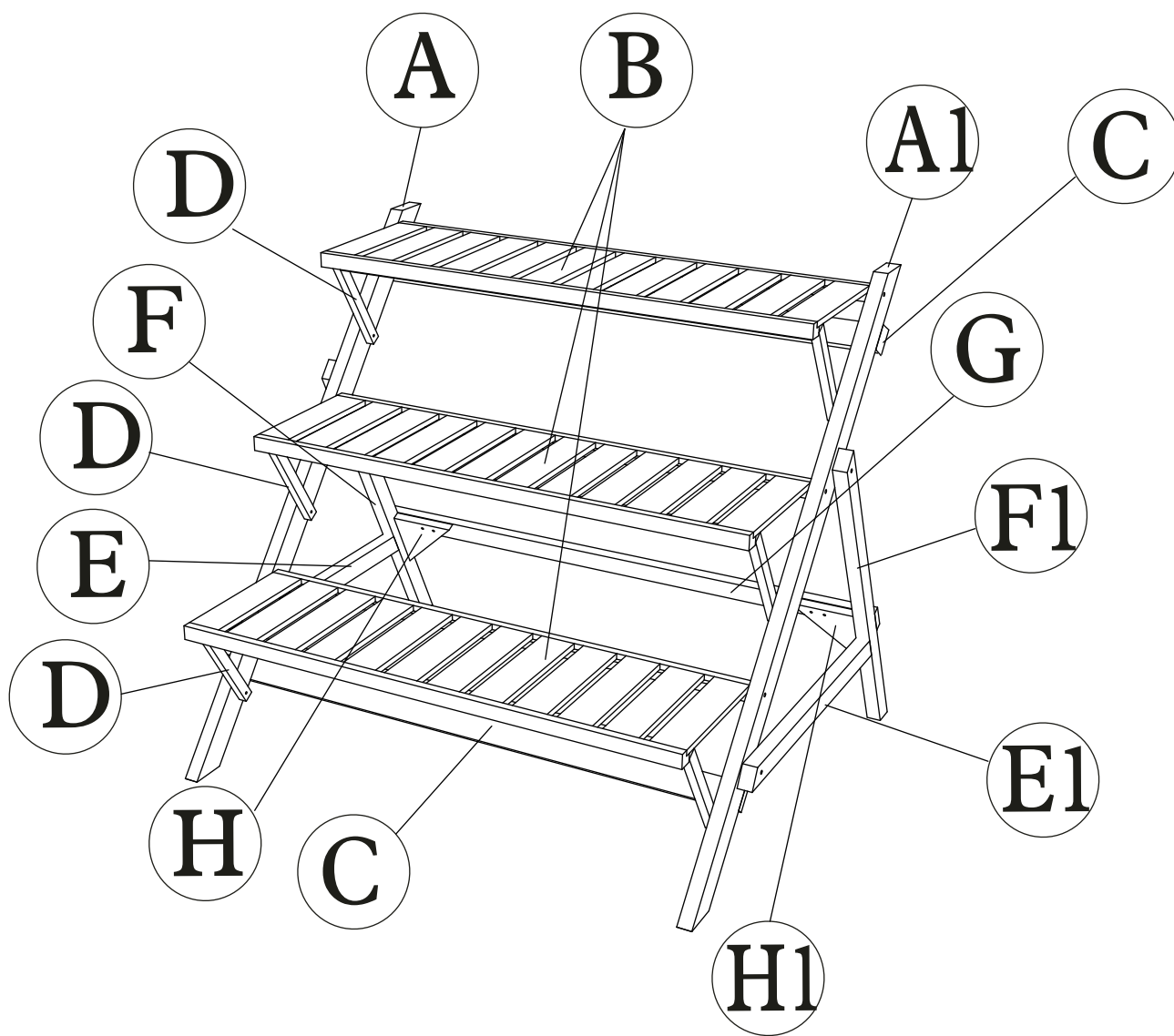
INbmc035_GL

845-685

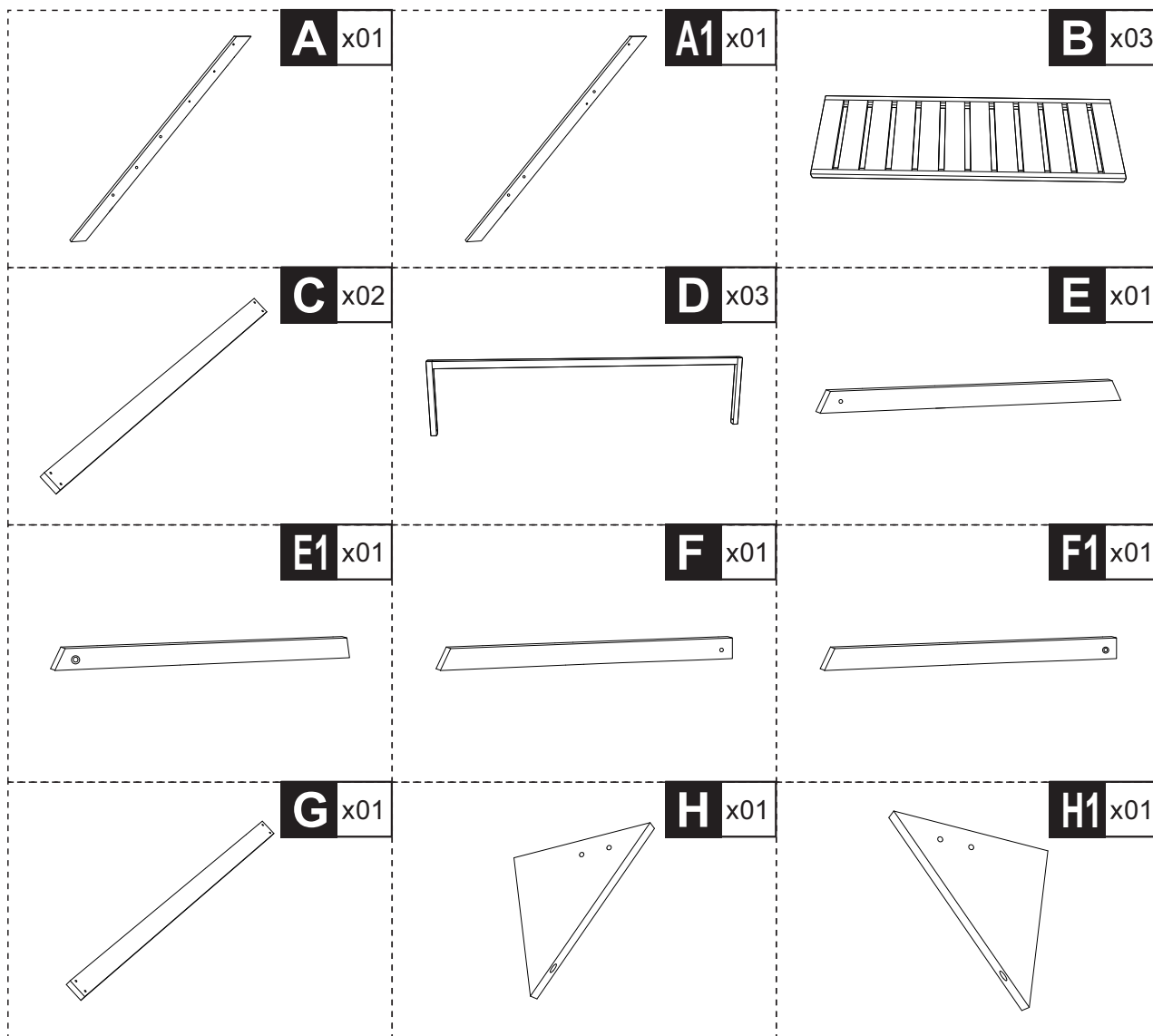


IMPORTANT, RETAIN FOR FUTURE REFERENCE: READ CAREFULLY

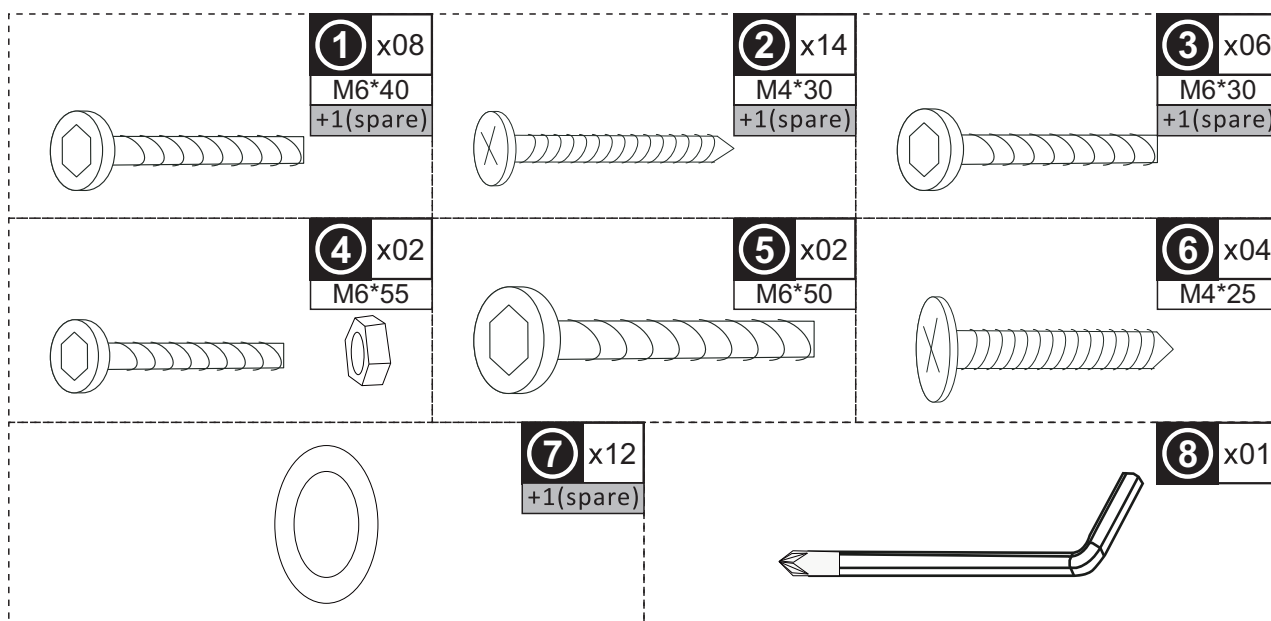
ASSEMBLY & INSTRUCTION MANUAL



PARTS

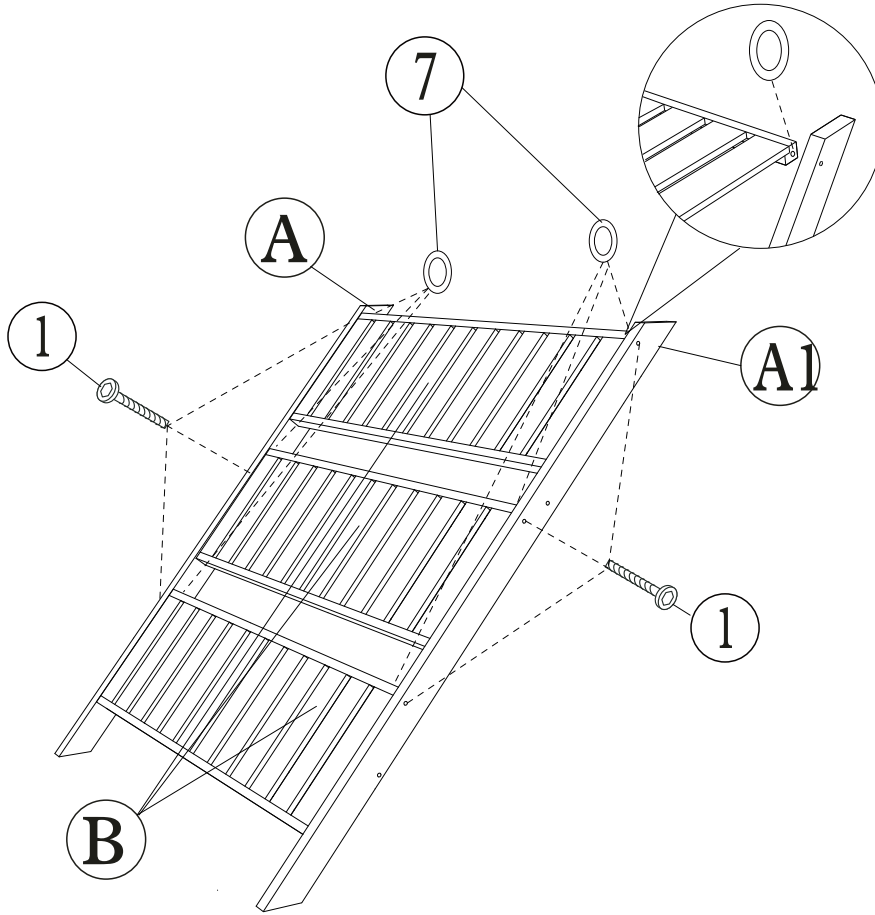


HARDWARE



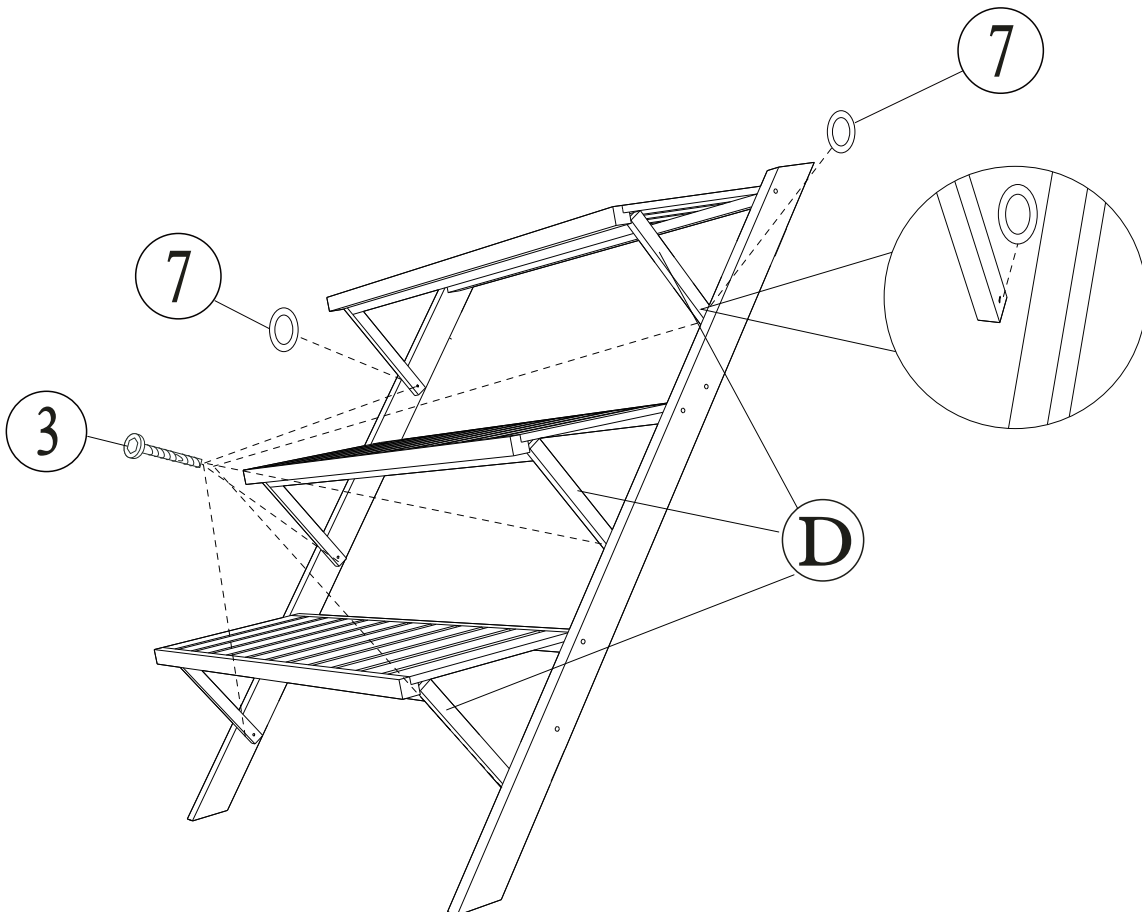
1 x06
M6*40

7 x06

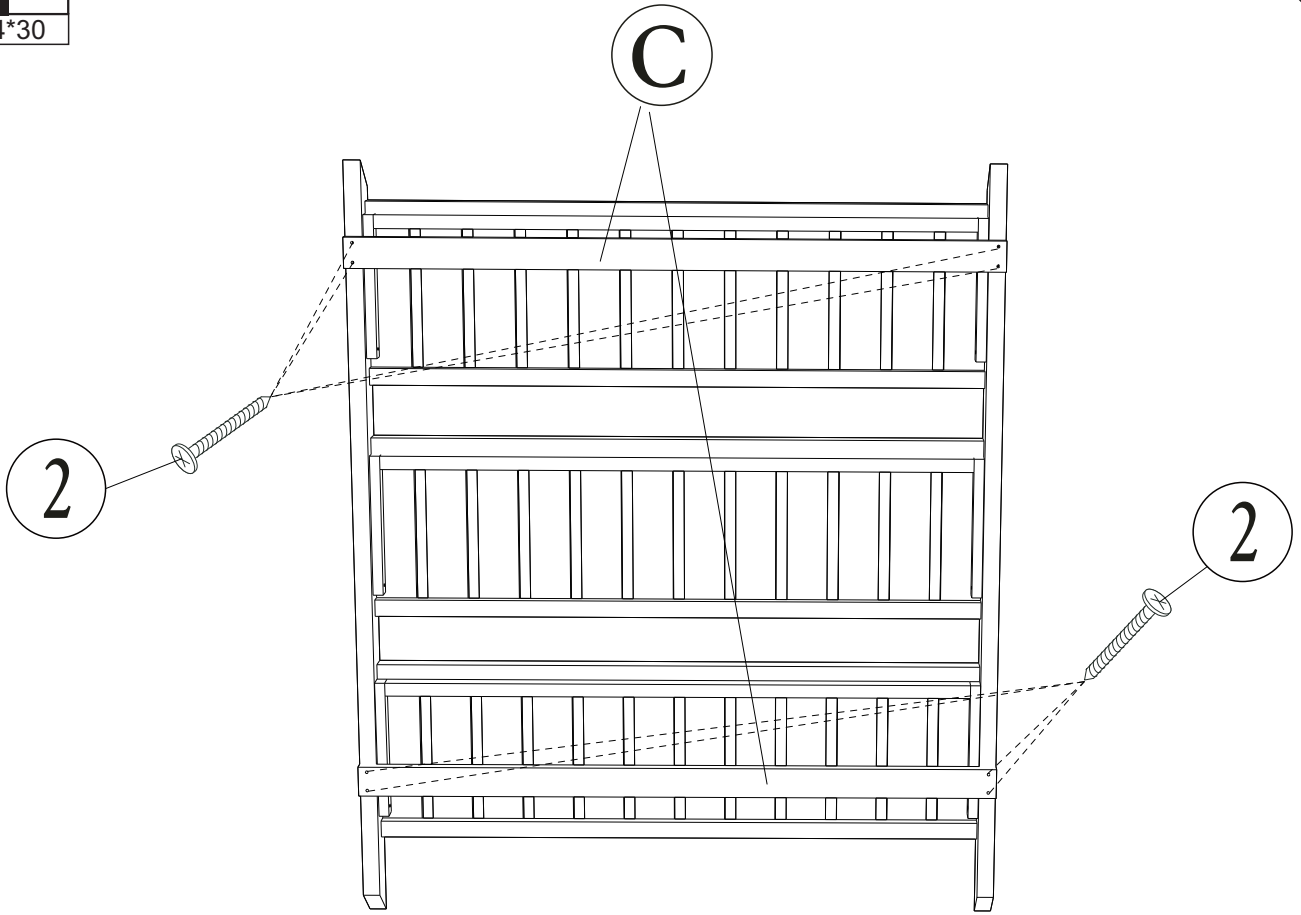


3 x06
M6*30

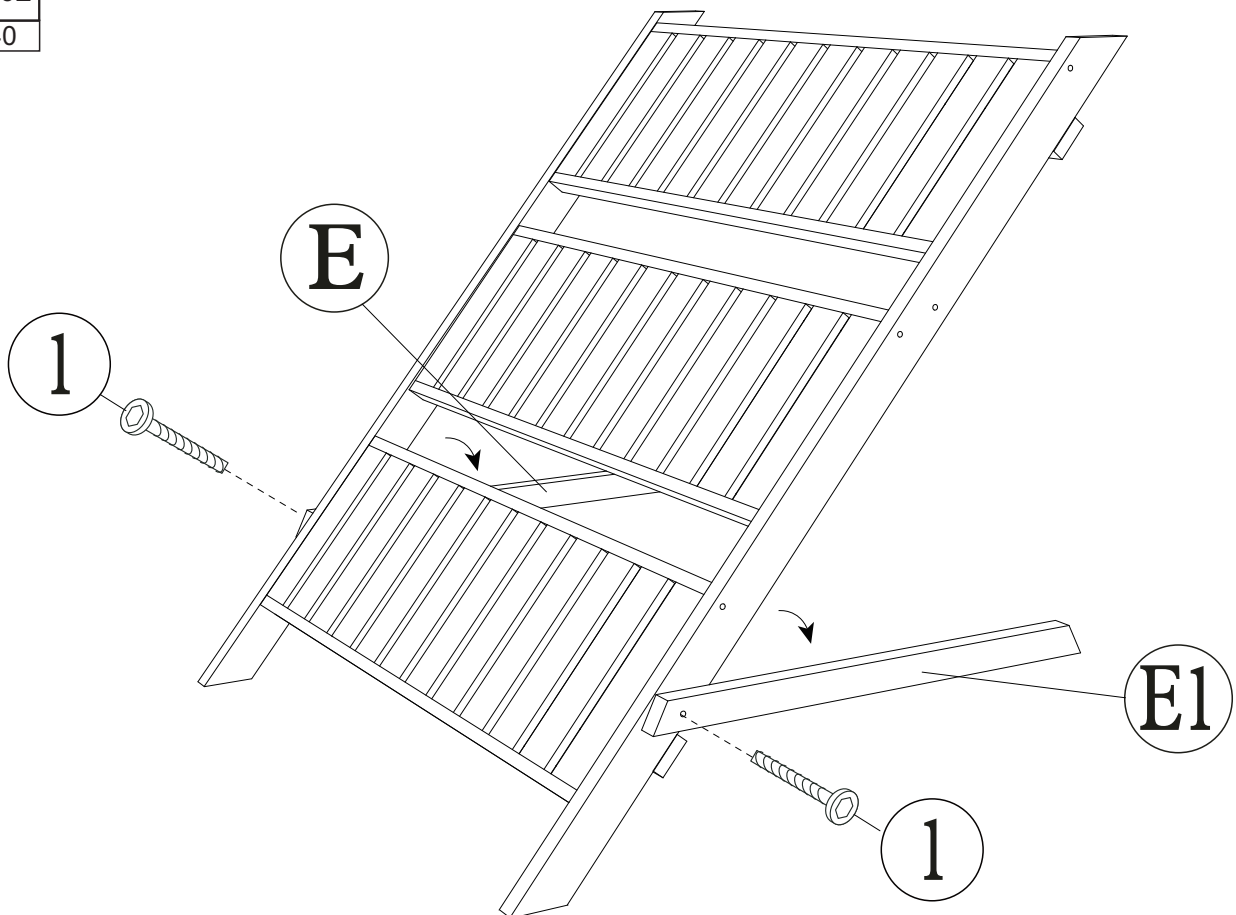
7 x06



2 x08
M4*30



1 x02
M6*40

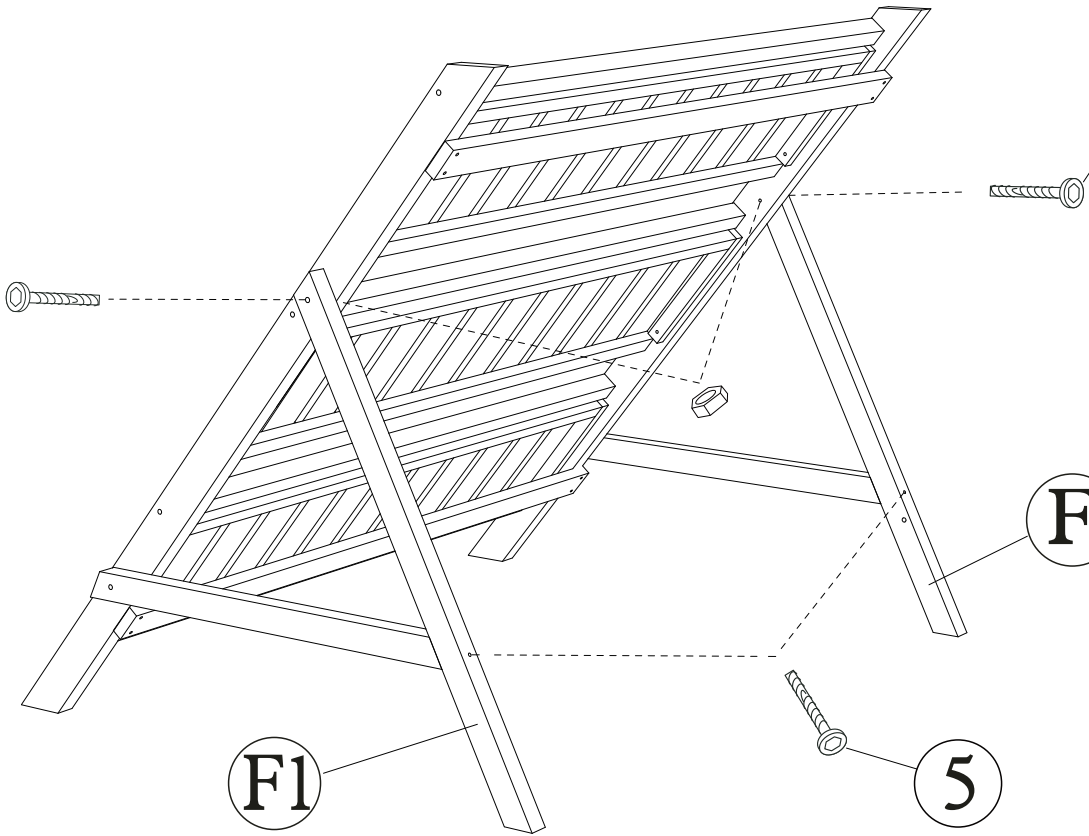


4 x02
M6*55

5 x02
M6*50

4

4



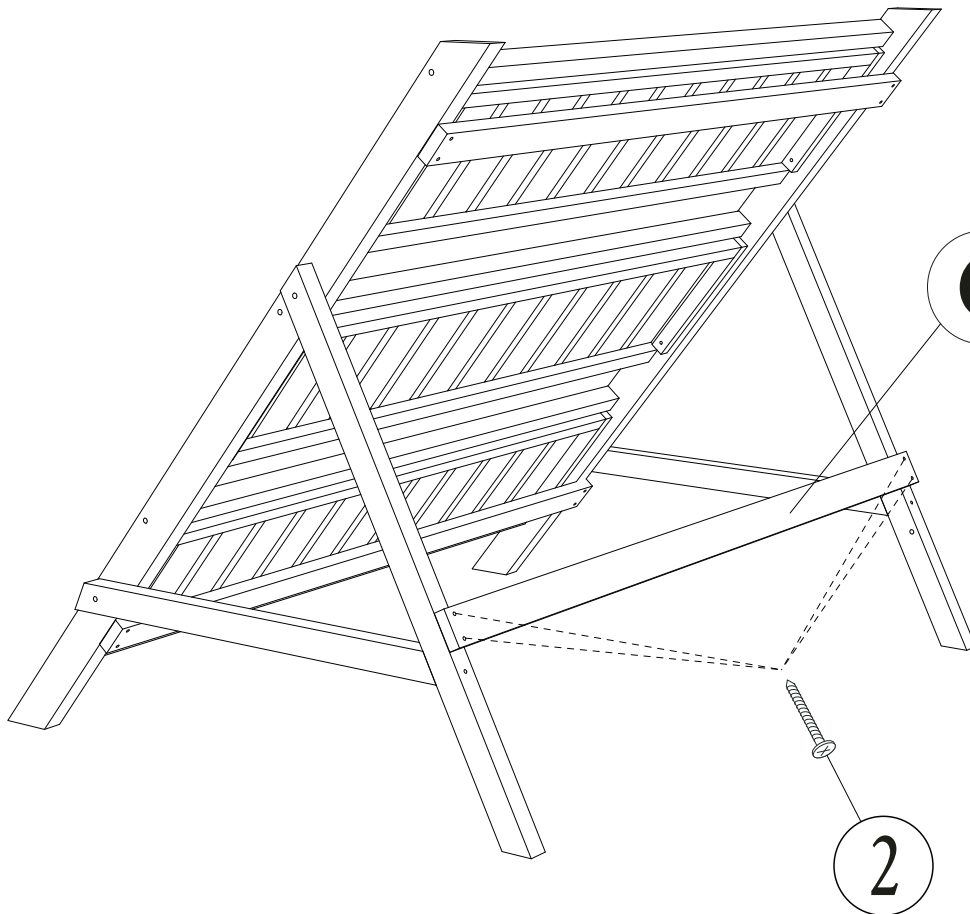
F1

F

5

2 x04
M4*30

G



2

2 x02
M4*30

6 x04
M4*25

