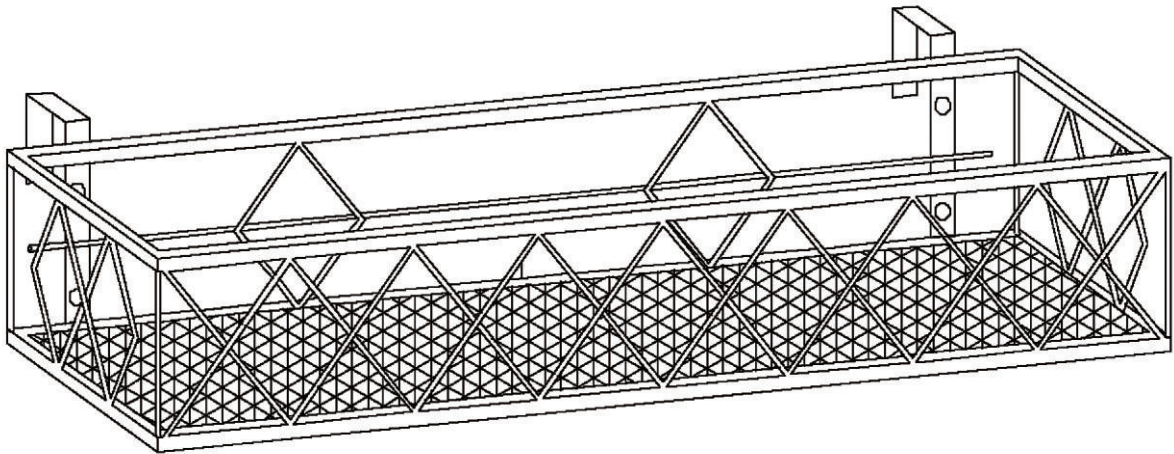




INbmc047\_GL

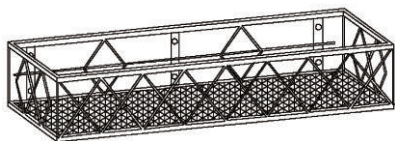
845-600\_845-600V01



IMPORTANT, RETAIN FOR FUTURE REFERENCE: READ CAREFULLY

# ASSEMBLY & INSTRUCTION MANUAL

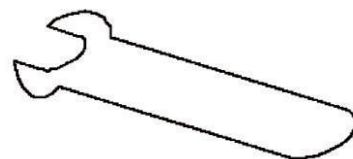
**A** x 1



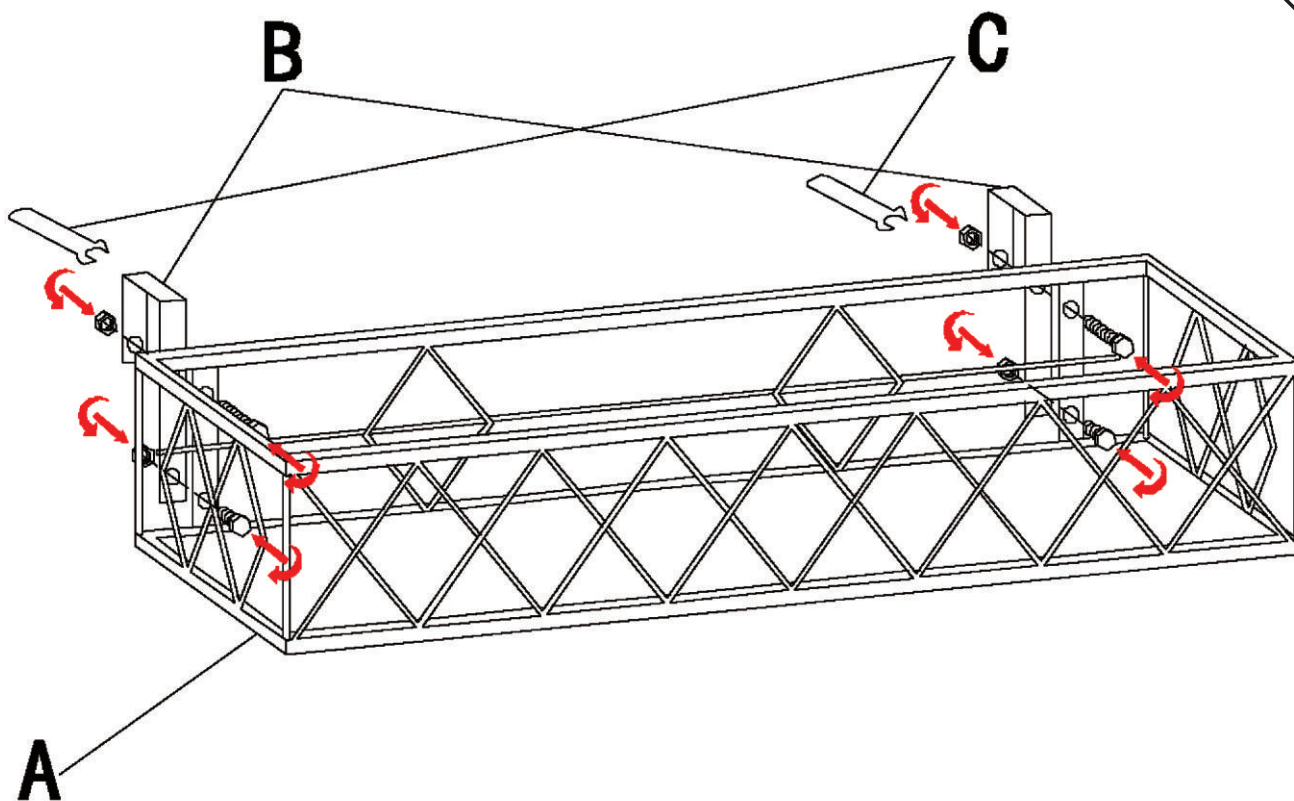
**B** x 2



**C** x 1



01



02

