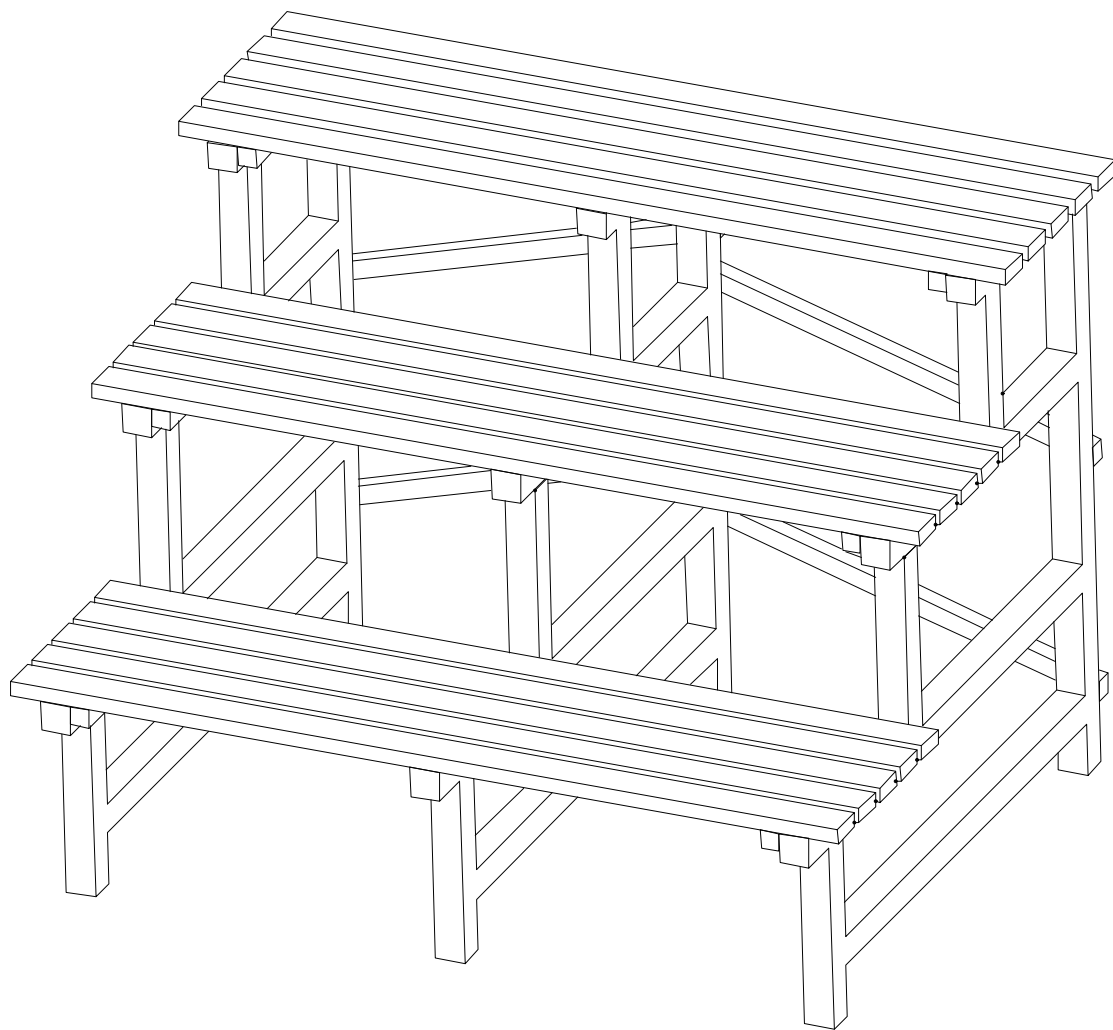




INbmc050_GL

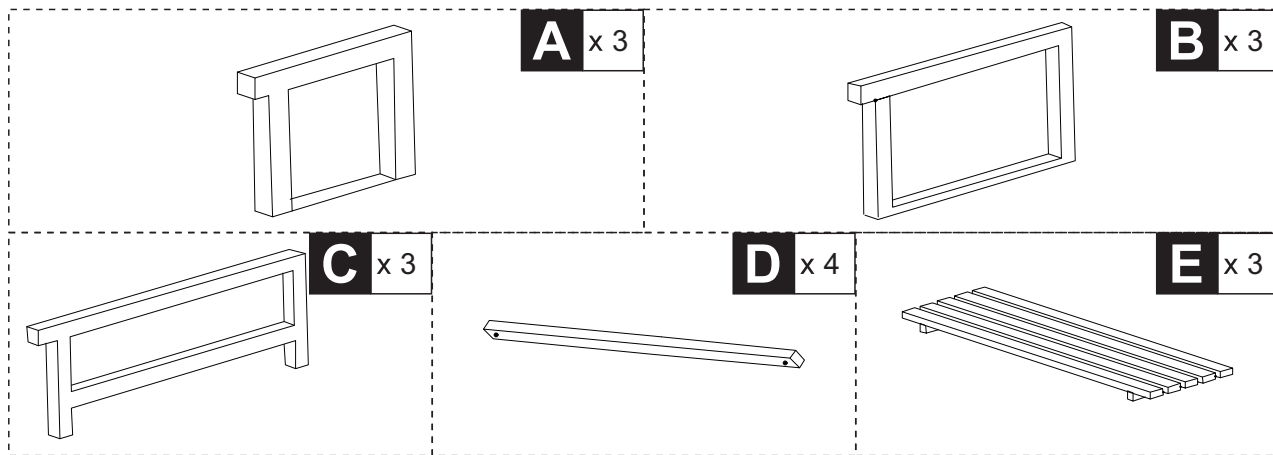
845-114_845-115_845-116



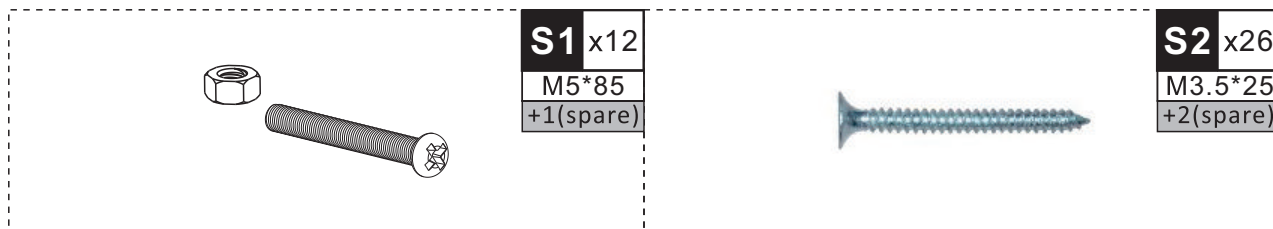
IMPORTANT, RETAIN FOR FUTURE REFERENCE: READ CAREFULLY

ASSEMBLY & INSTRUCTION MANUAL

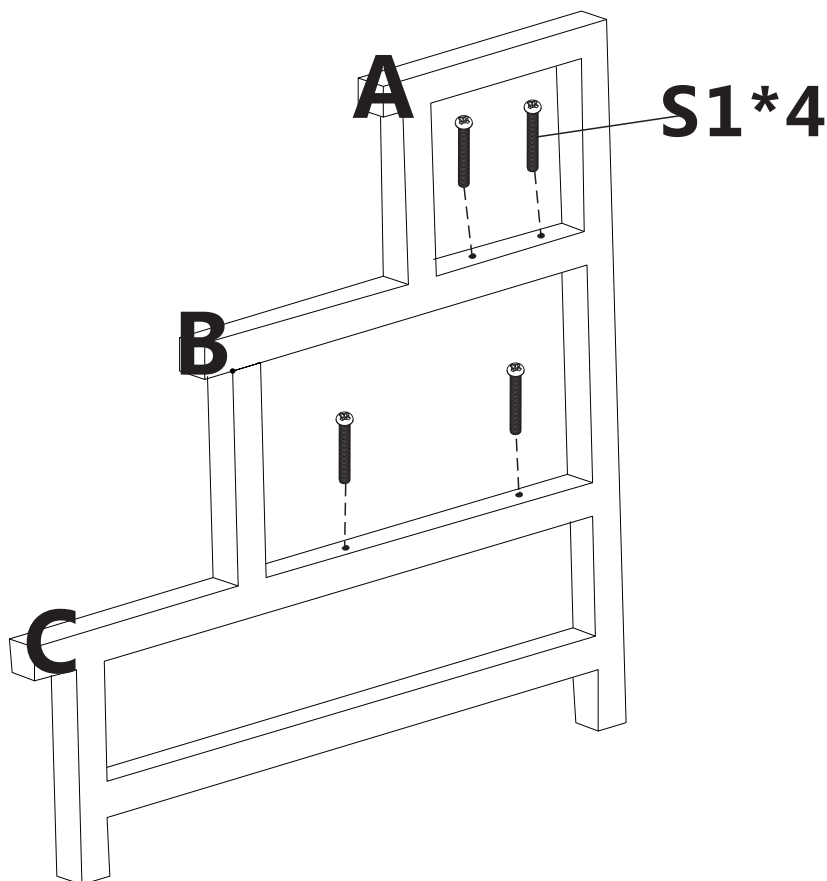
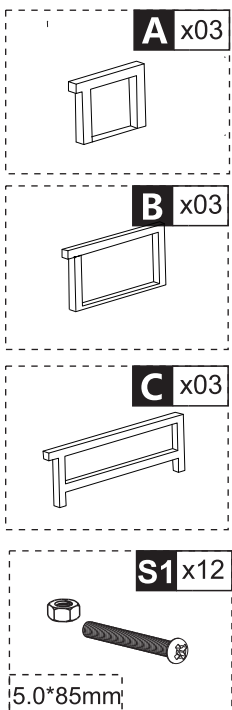
PARTS



HARDWARE



01



x3

D x04

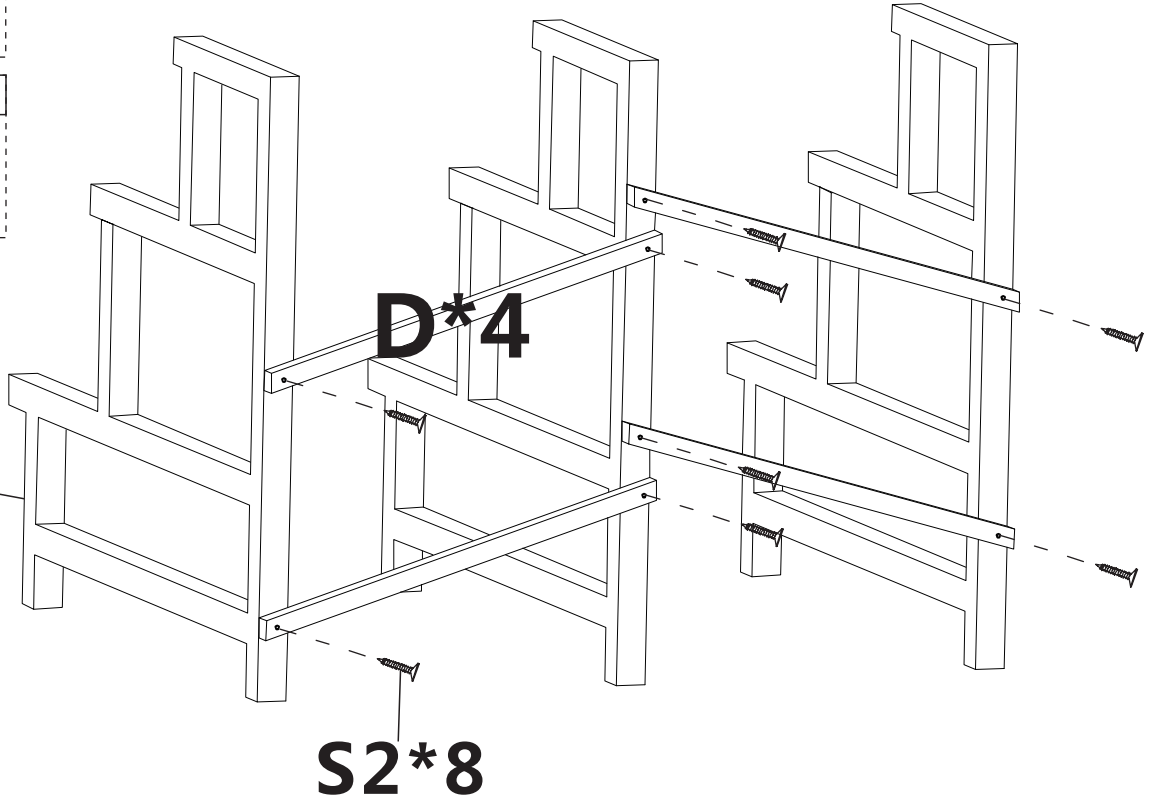


S2 x08

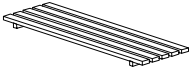


3.5*25mm

01 STEP



E x03



S2 x18



3.5*25mm

02 STEP

