



INbmc053_GL

845-745



IMPORTANT, RETAIN FOR FUTURE REFERENCE: READ CAREFULLY

ASSEMBLY & INSTRUCTION MANUAL

PARTS

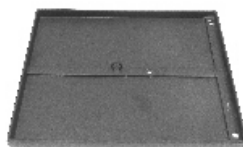
A x 2



B x 2



C x 2

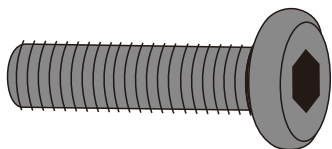


D x 2

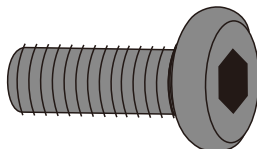


HARDWARE

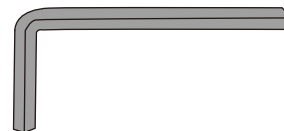
E x10
+1(spare)



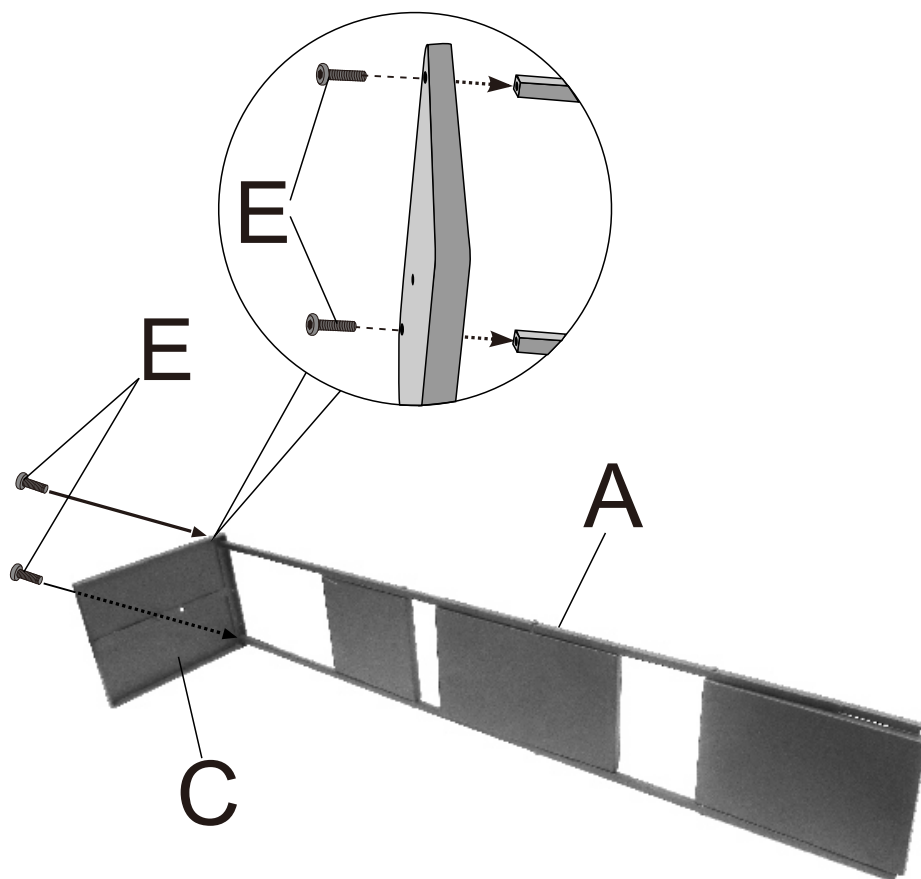
F x 6
+1(spare)



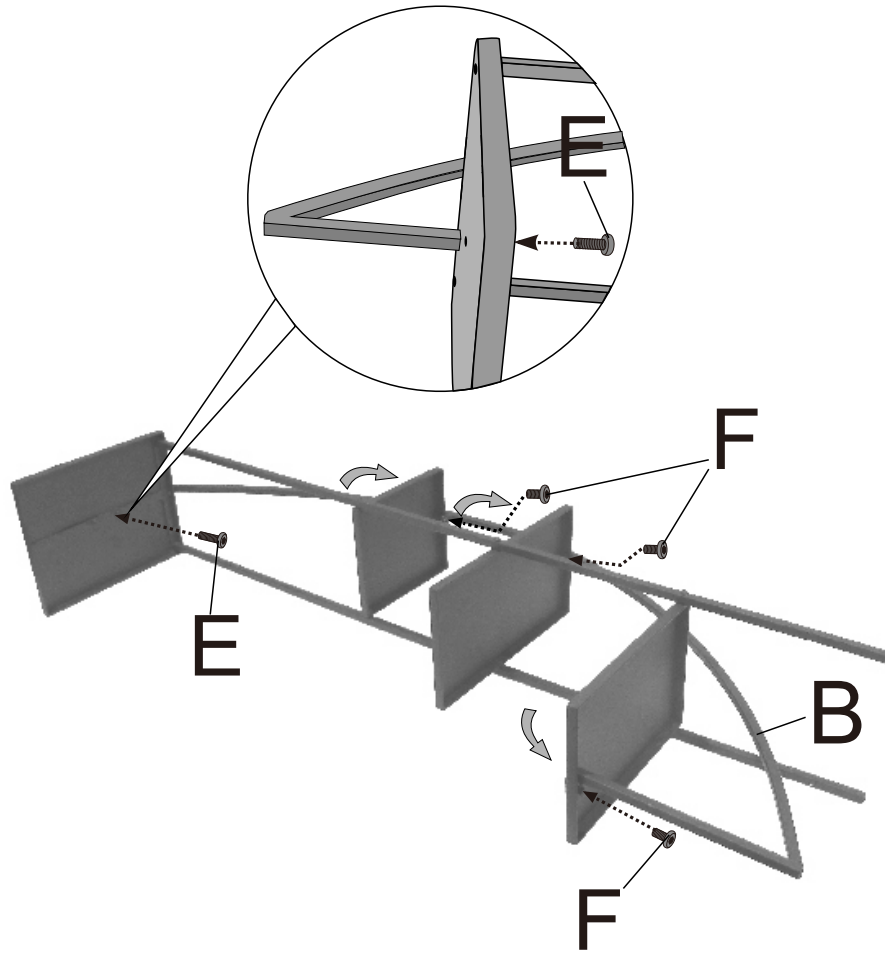
G x 1



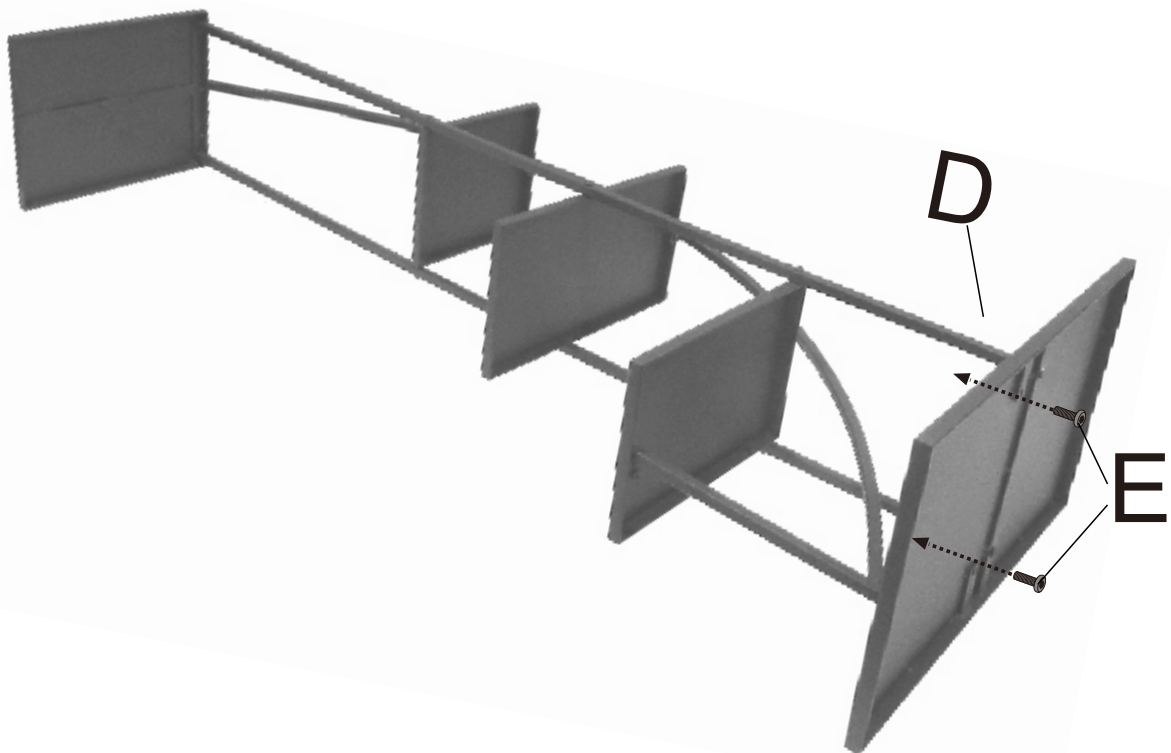
01



x2



x2



x2

