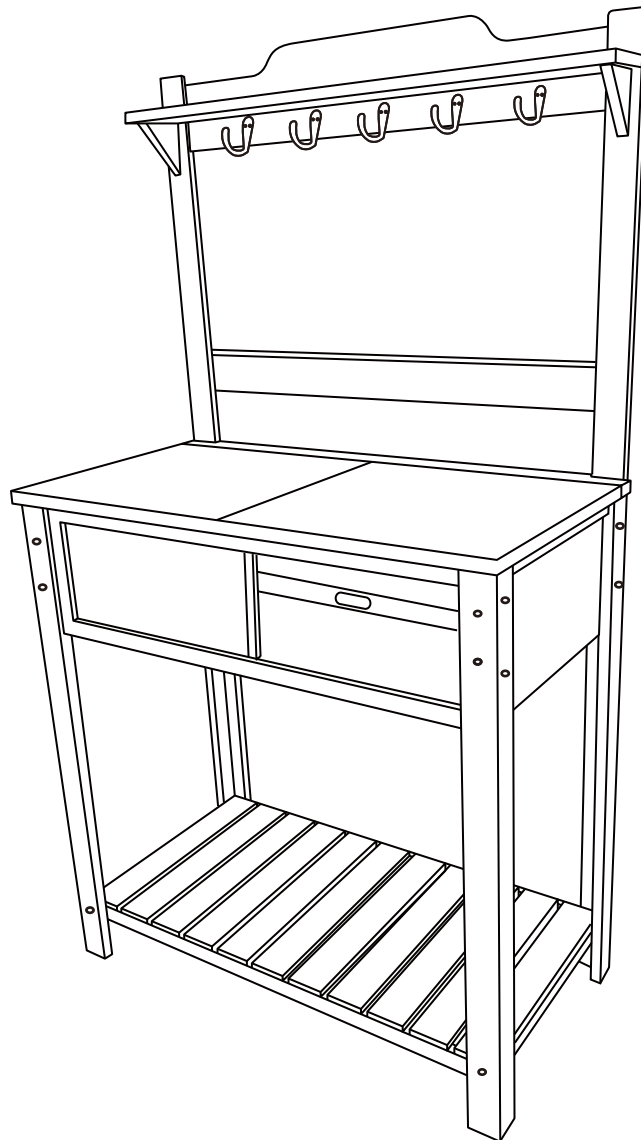




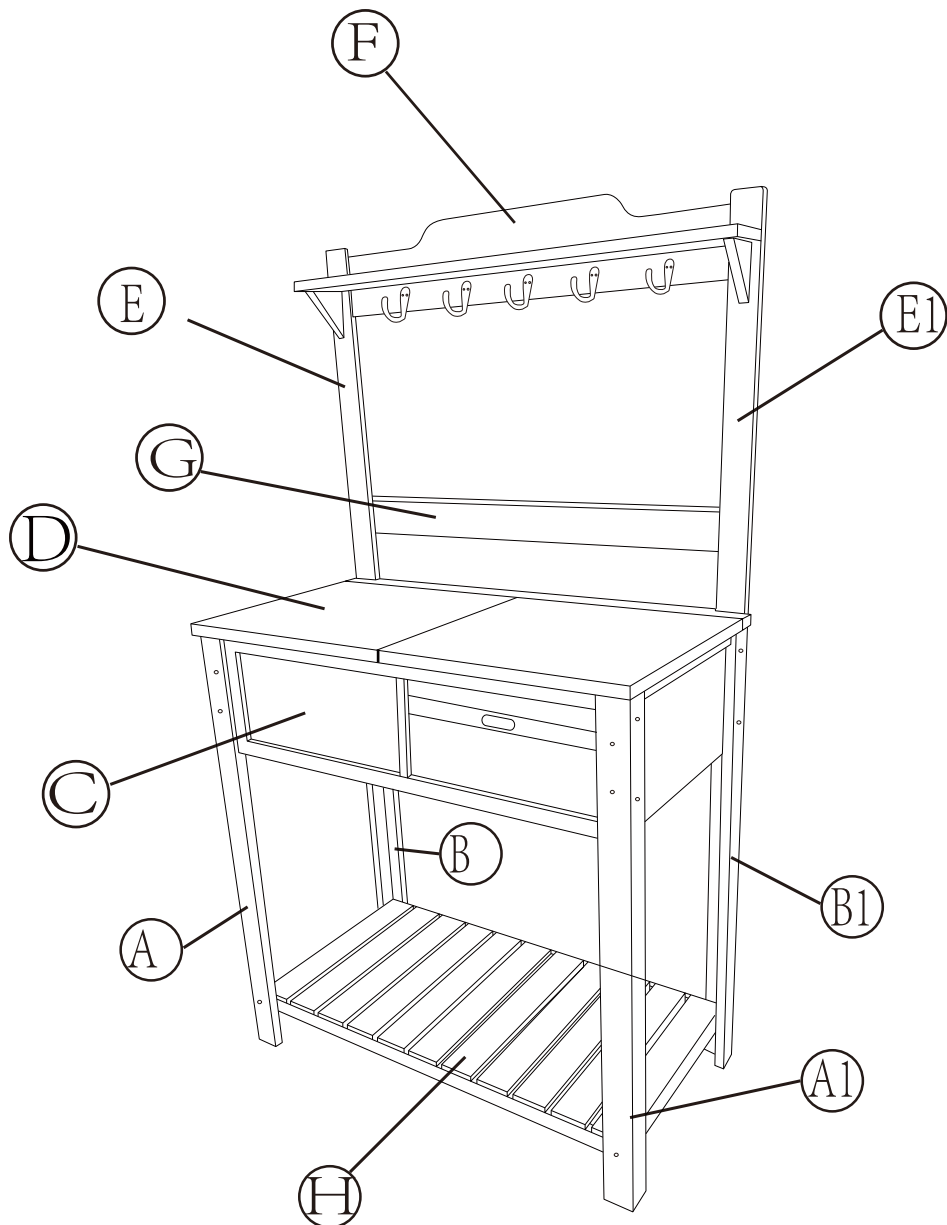
INbme003V02\_GL

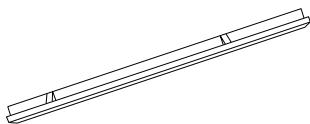
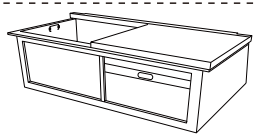

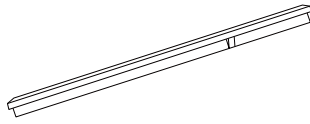
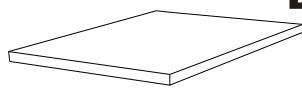
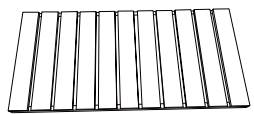
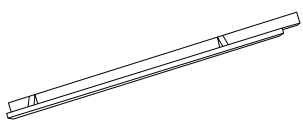
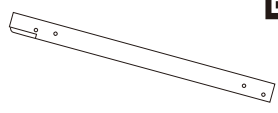

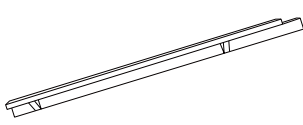
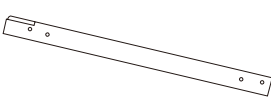

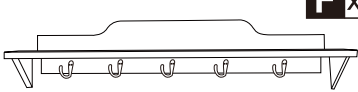

**845-375**



IMPORTANT, RETAIN FOR FUTURE REFERENCE: READ CAREFULLY

**ASSEMBLY & INSTRUCTION MANUAL**

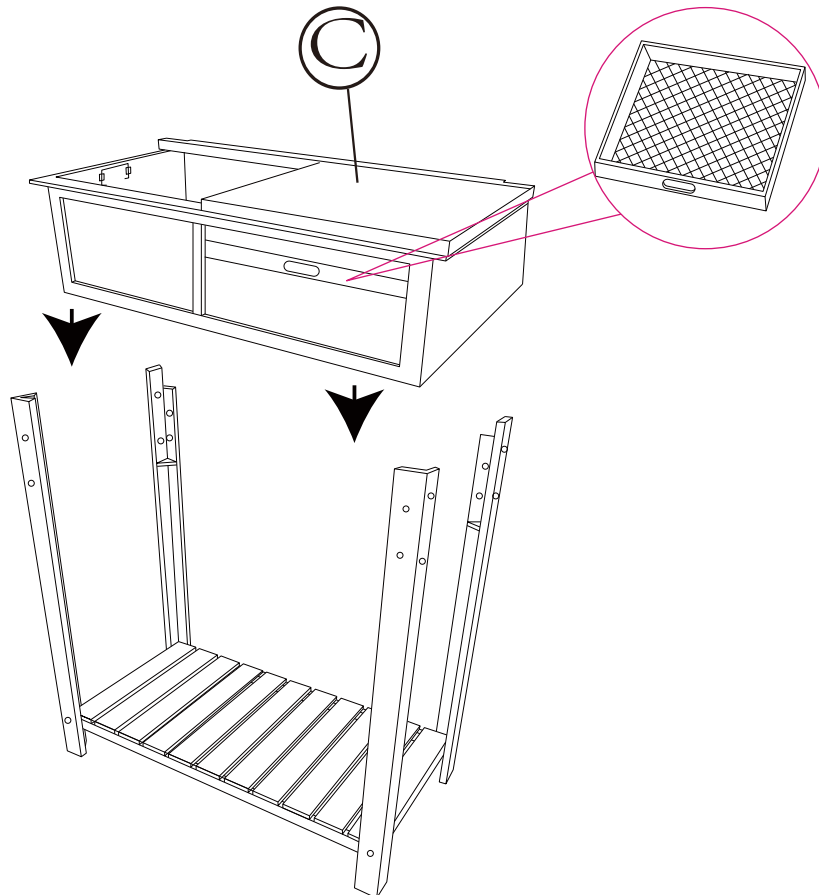
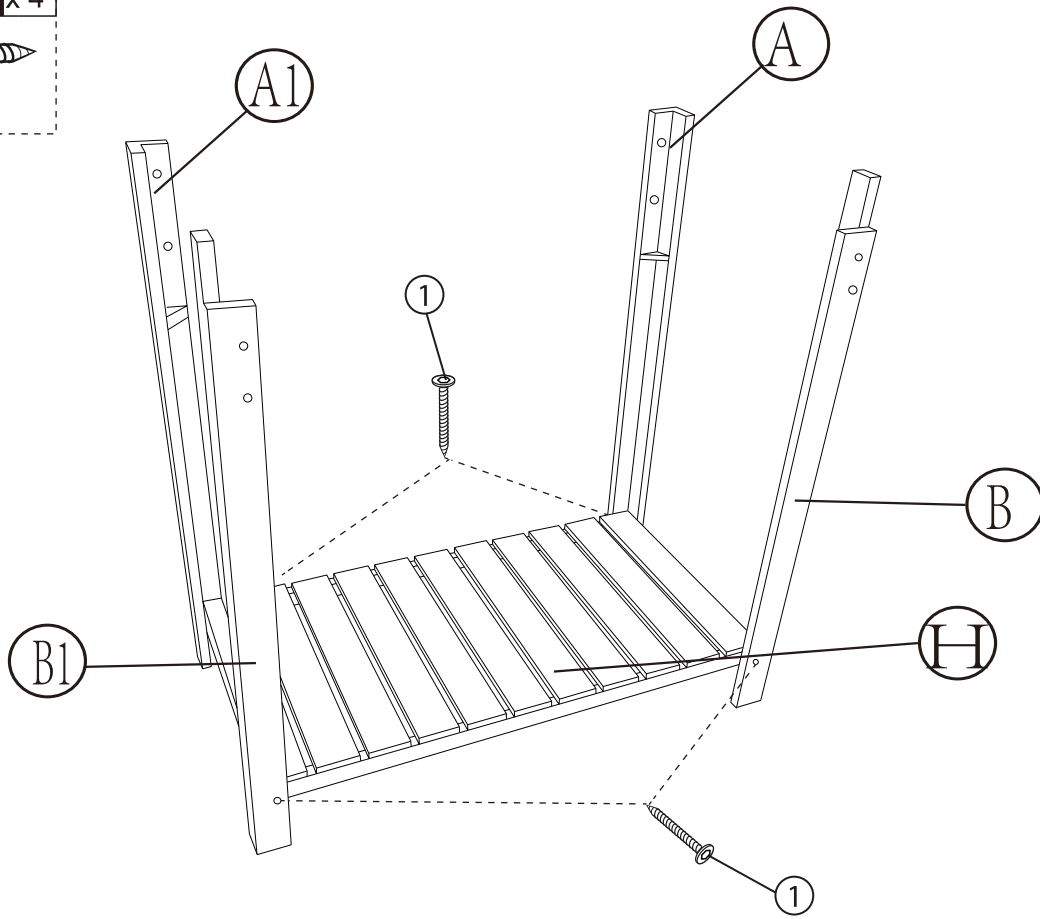


 <b>A x 1</b>	 <b>C x 1</b>	 <b>G x 1</b>
 <b>A1 x 1</b>	 <b>D x 1</b>	 <b>H x 1</b>
 <b>B x 1</b>	 <b>E x 1</b>	 <b>① x 28</b> +1 (spare)
 <b>B1 x 1</b>	 <b>E1 x 1</b>	 <b>② x 4</b>
	 <b>F x 1</b>	 <b>③ x 1</b>

① x 4



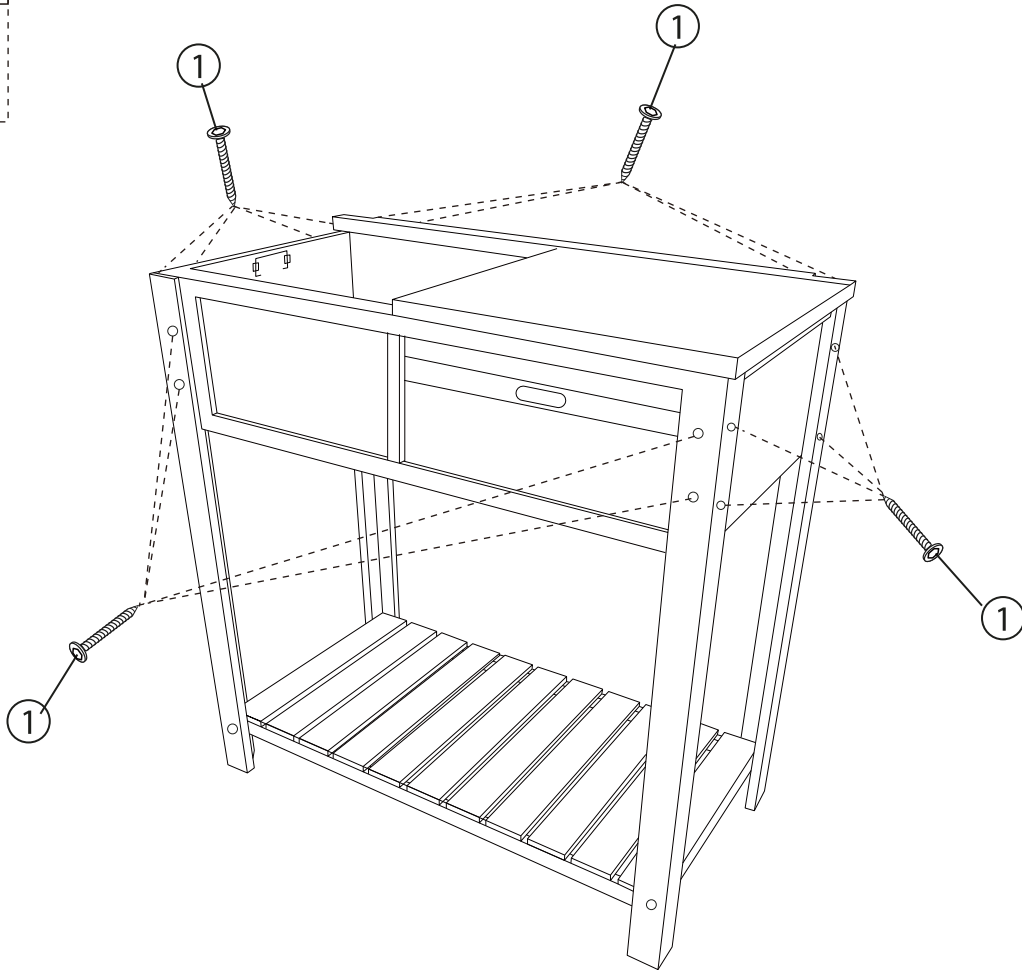
M6\*40



① x 16



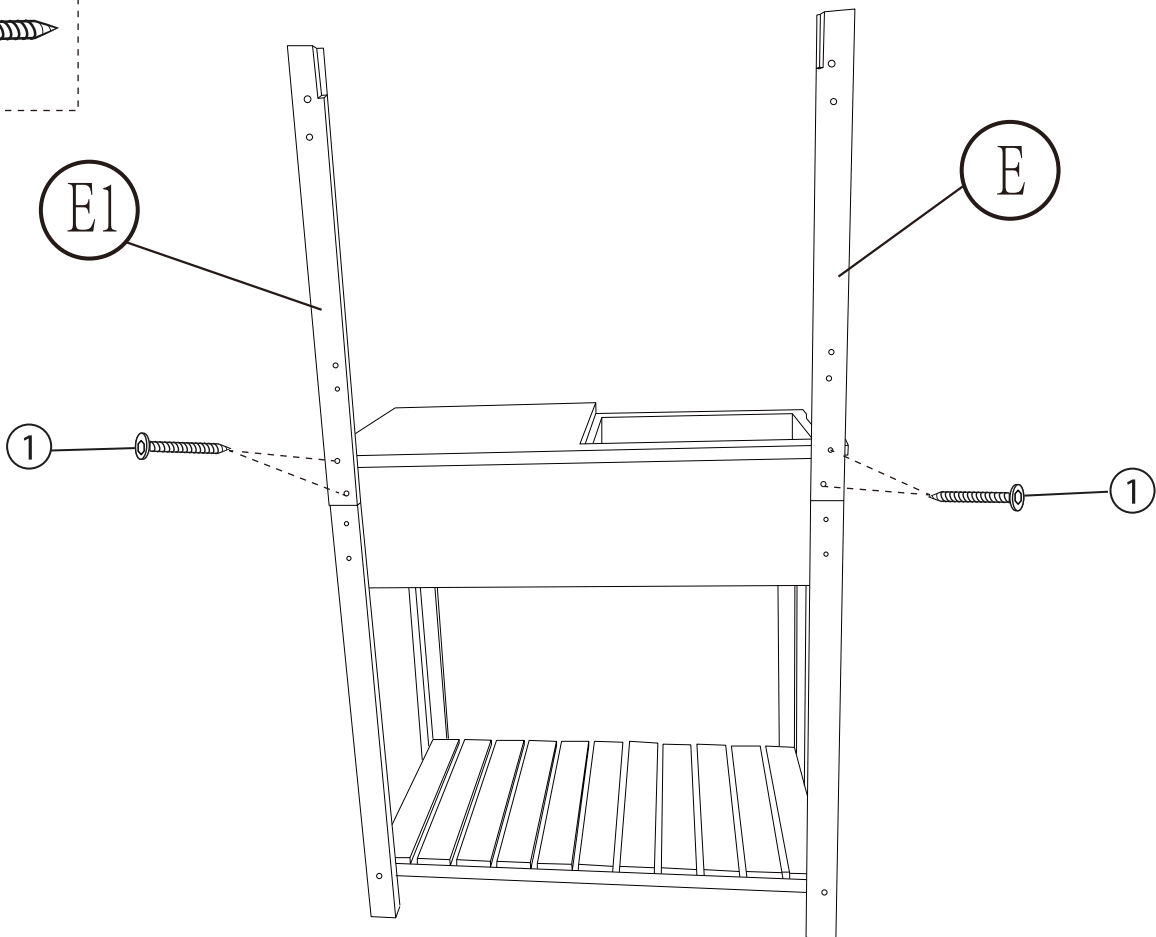
M6\*40



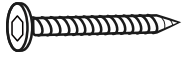
① x 4



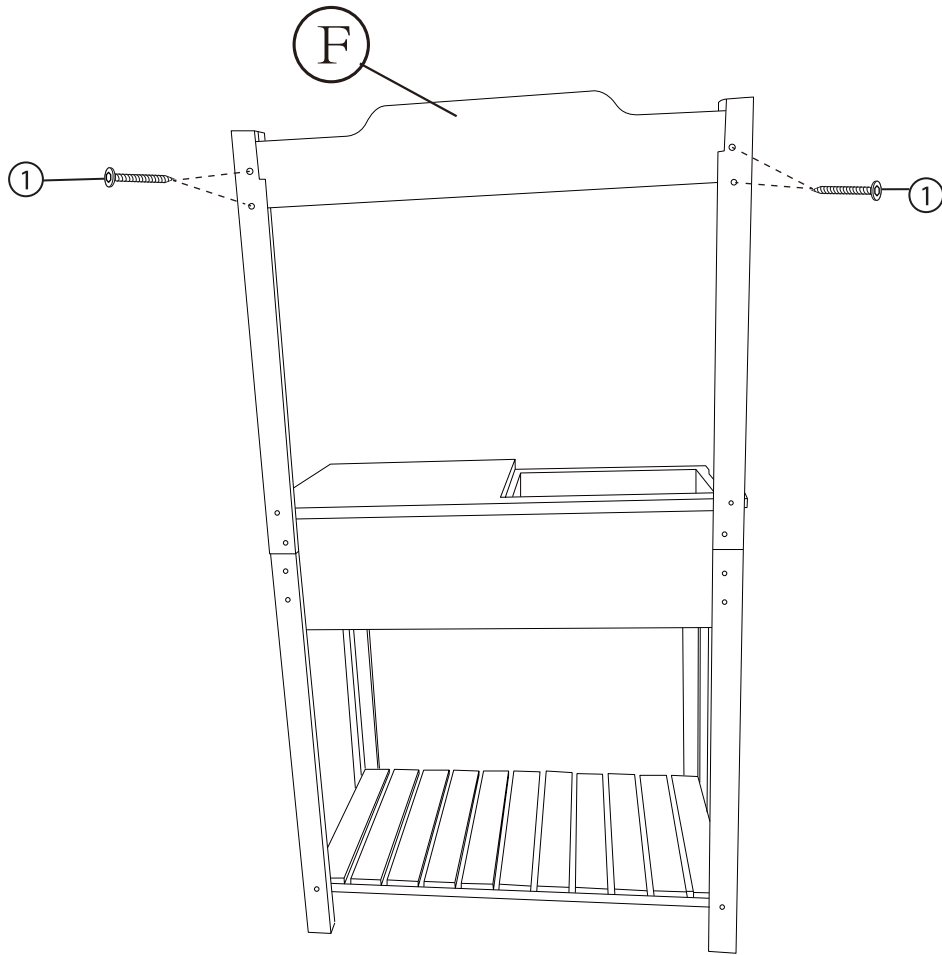
M6\*40



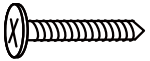
① x 4



M6\*40



② x 4



M4\*20

