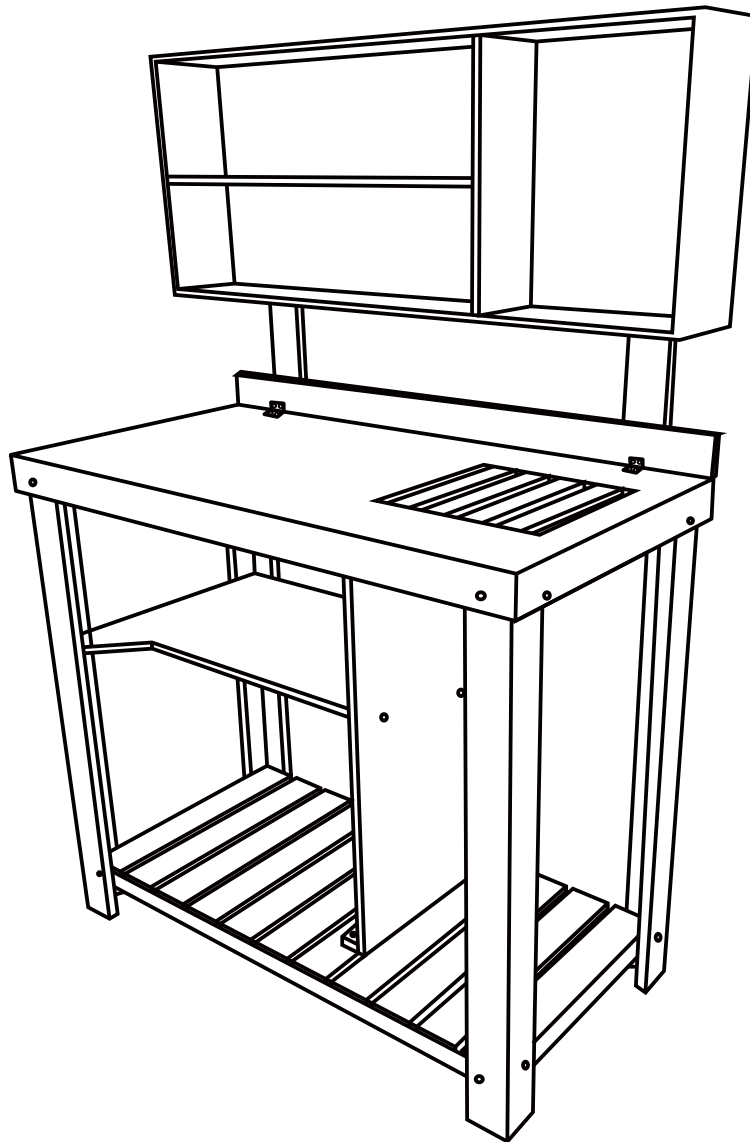




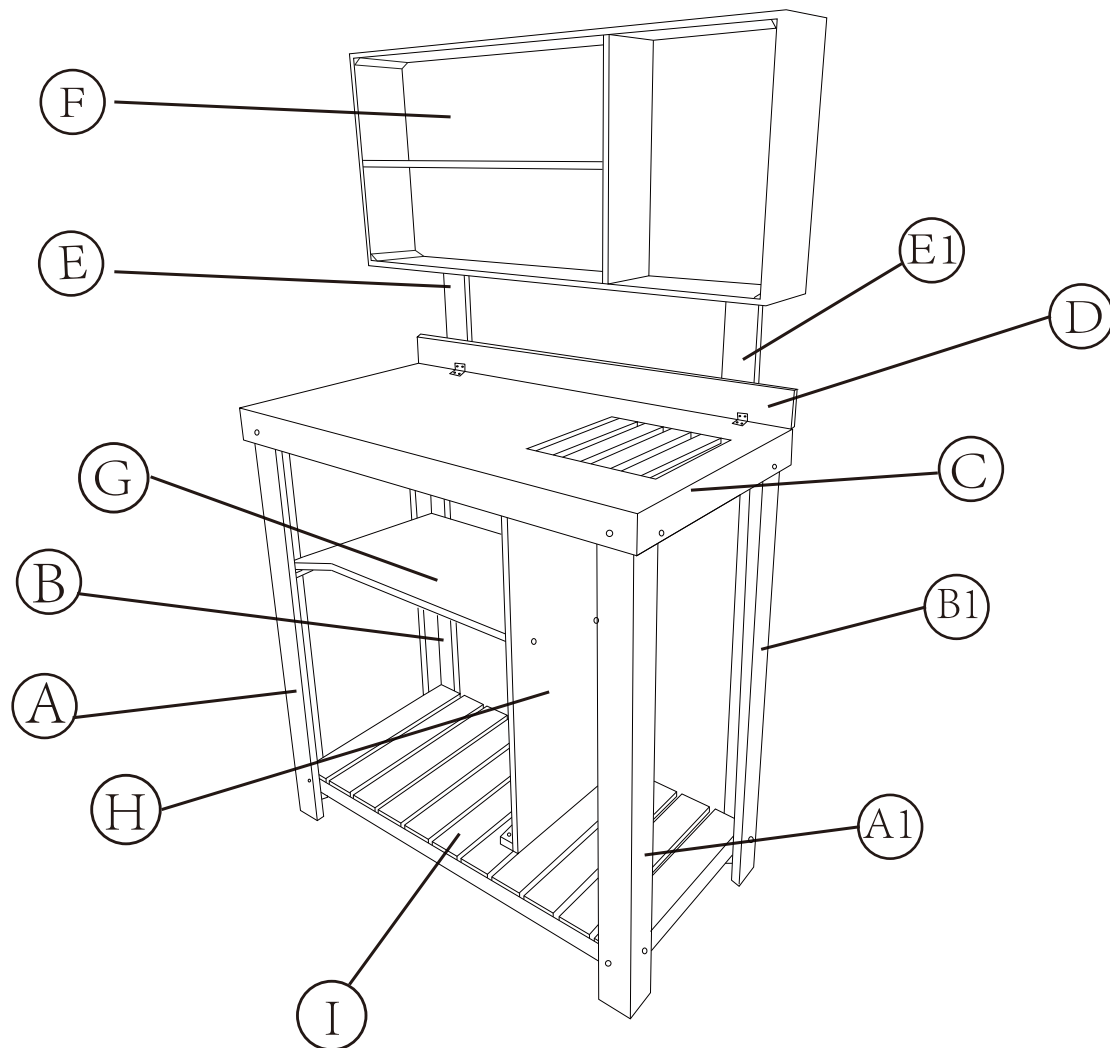
INbme004V01\_GL

**845-385**



IMPORTANT, RETAIN FOR FUTURE REFERENCE: READ CAREFULLY

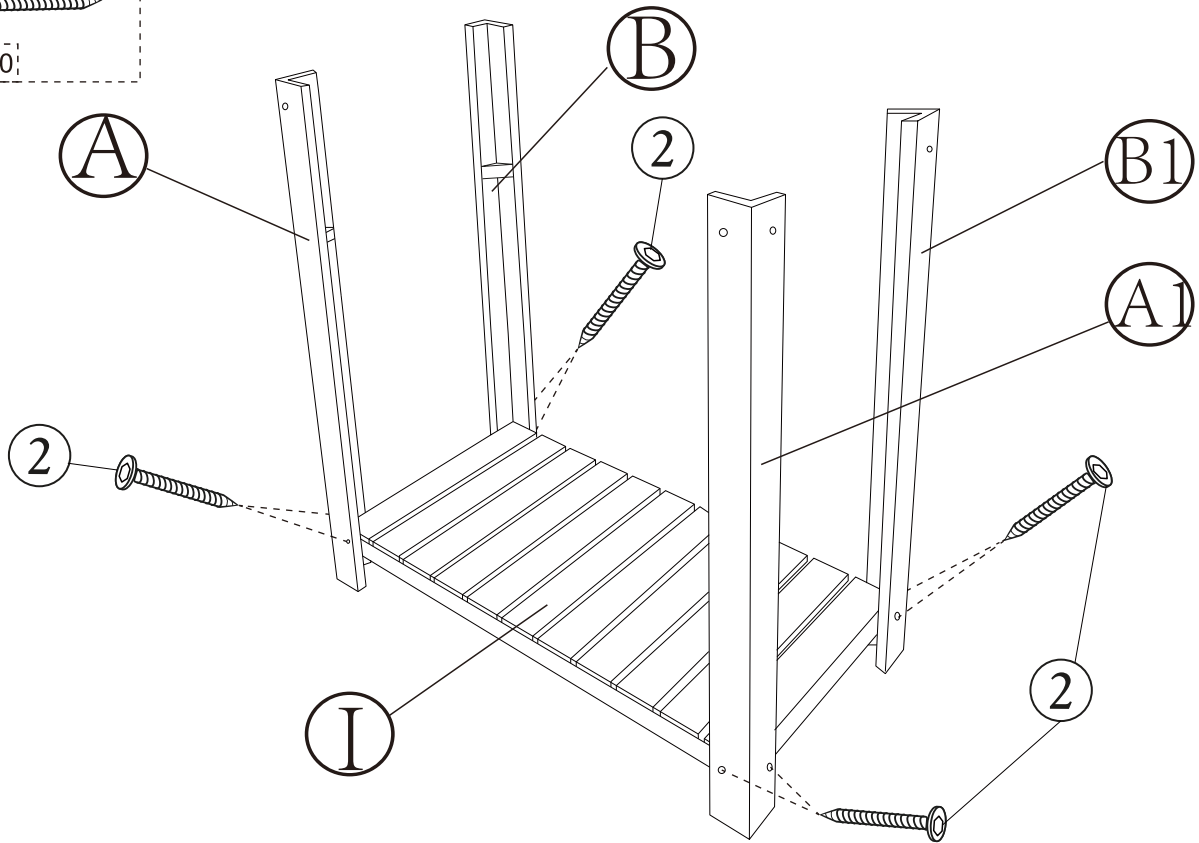
**ASSEMBLY & INSTRUCTION MANUAL**



<b>A x 1</b> 	<b>A1 x 1</b> 	<b>B x 1</b> 	<b>B1 x 1</b> 	<b>③ x 4</b>  M6*25;
<b>C x 1</b> 	<b>D x 1</b> 	<b>E x 1</b> 	<b>E1 x 1</b> 	<b>④ x 4</b>  M3.5*20;
<b>F x 1</b> 	<b>G x 1</b> 	<b>① x 12</b> +1(spare) 	<b>⑤ x 4</b>  M3.5*12;	<b>⑥ x 2</b> 
<b>H x 1</b> 	<b>I x 1</b> 	<b>② x 16</b> +1(spare)  M4*25;	<b>⑦ x 1</b>  M6*40;	

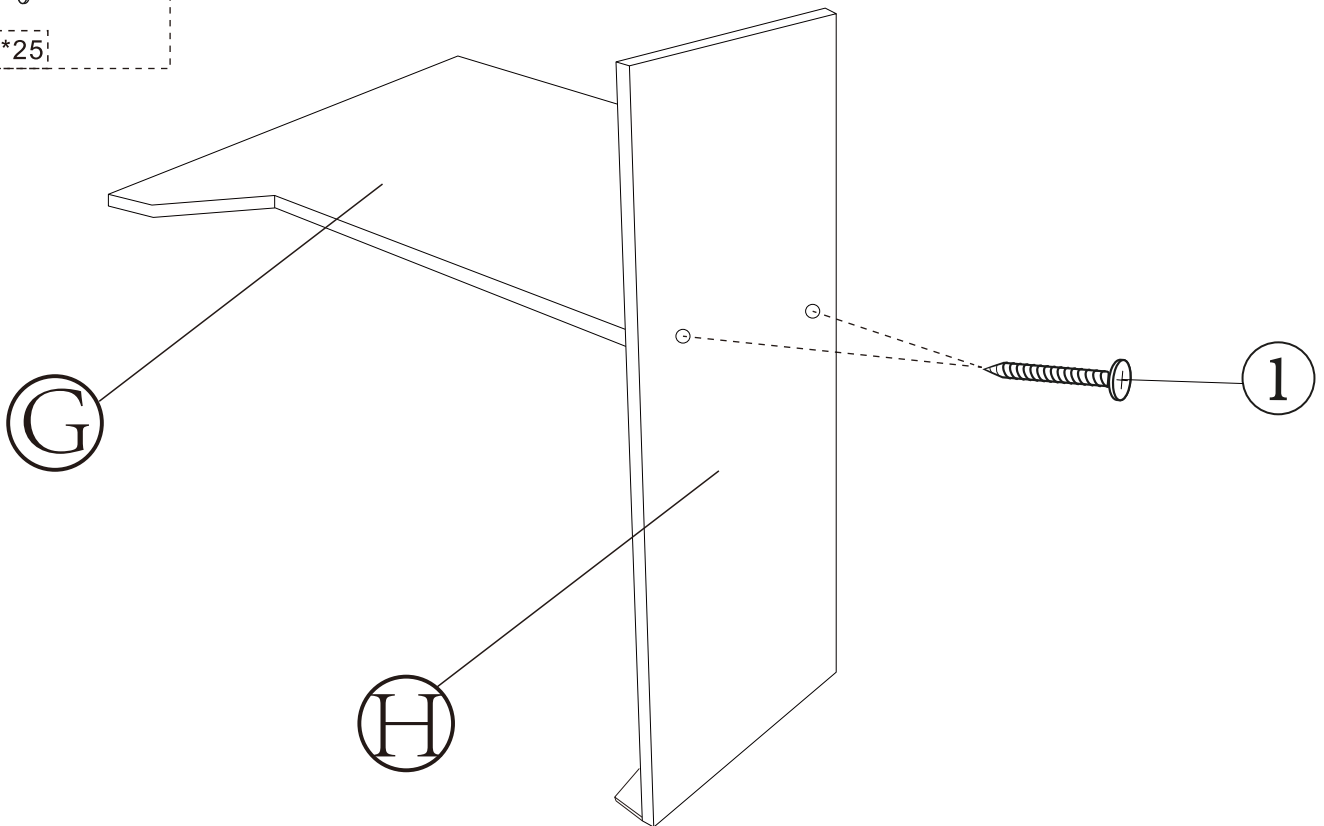
② x 8

M6\*40



① x 2

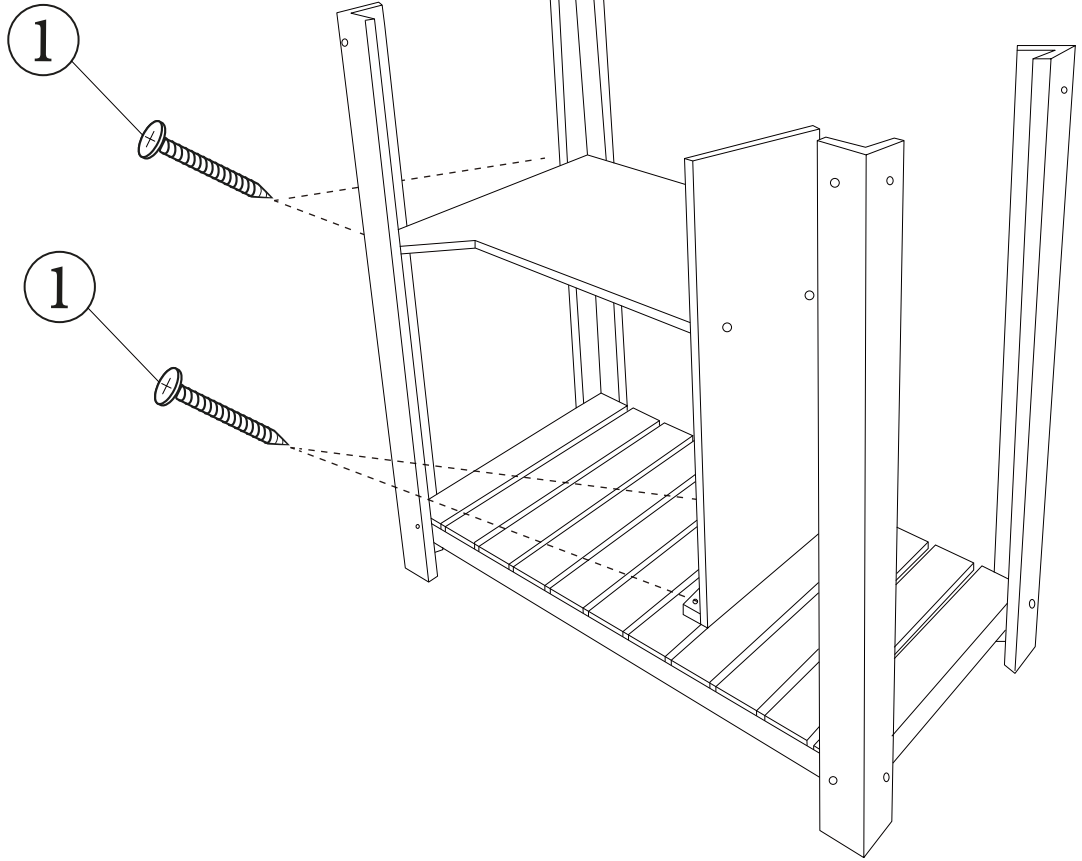
M4\*25



① x 4



M4\*25



① x 2

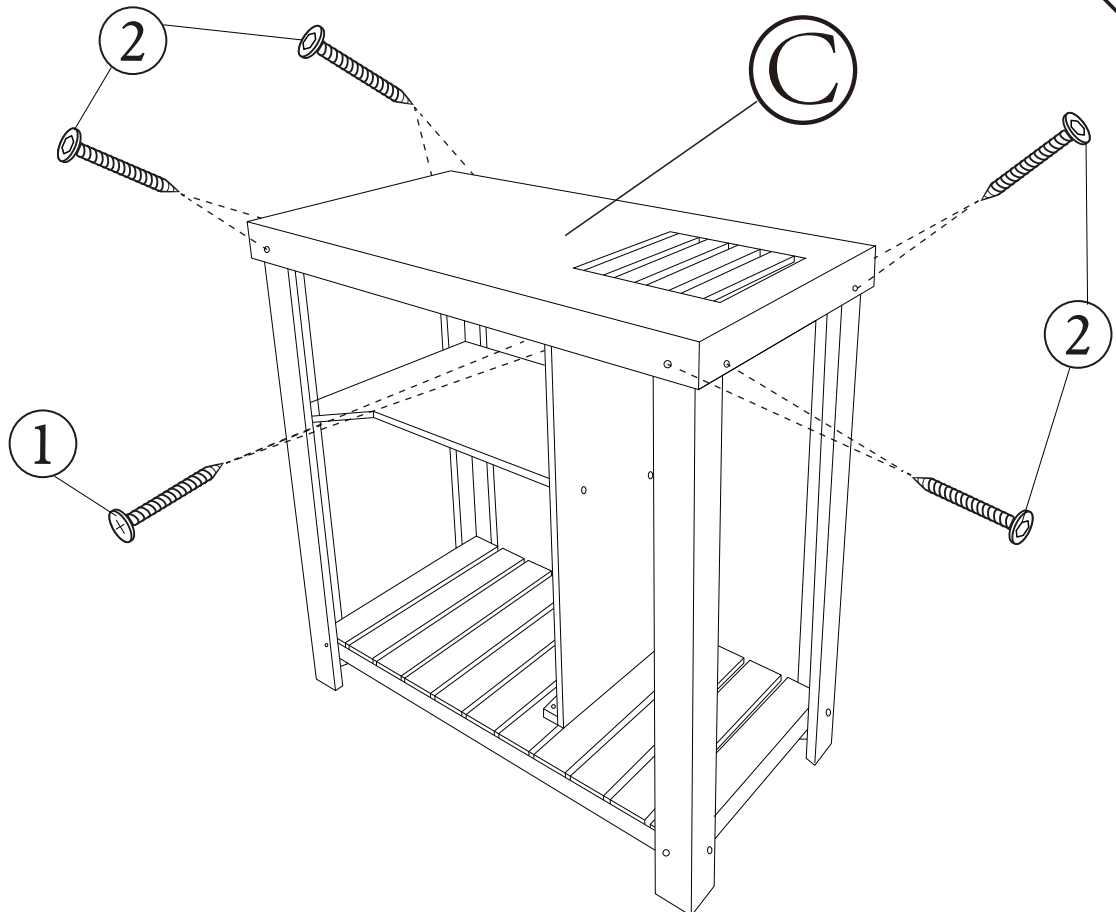


M4\*25

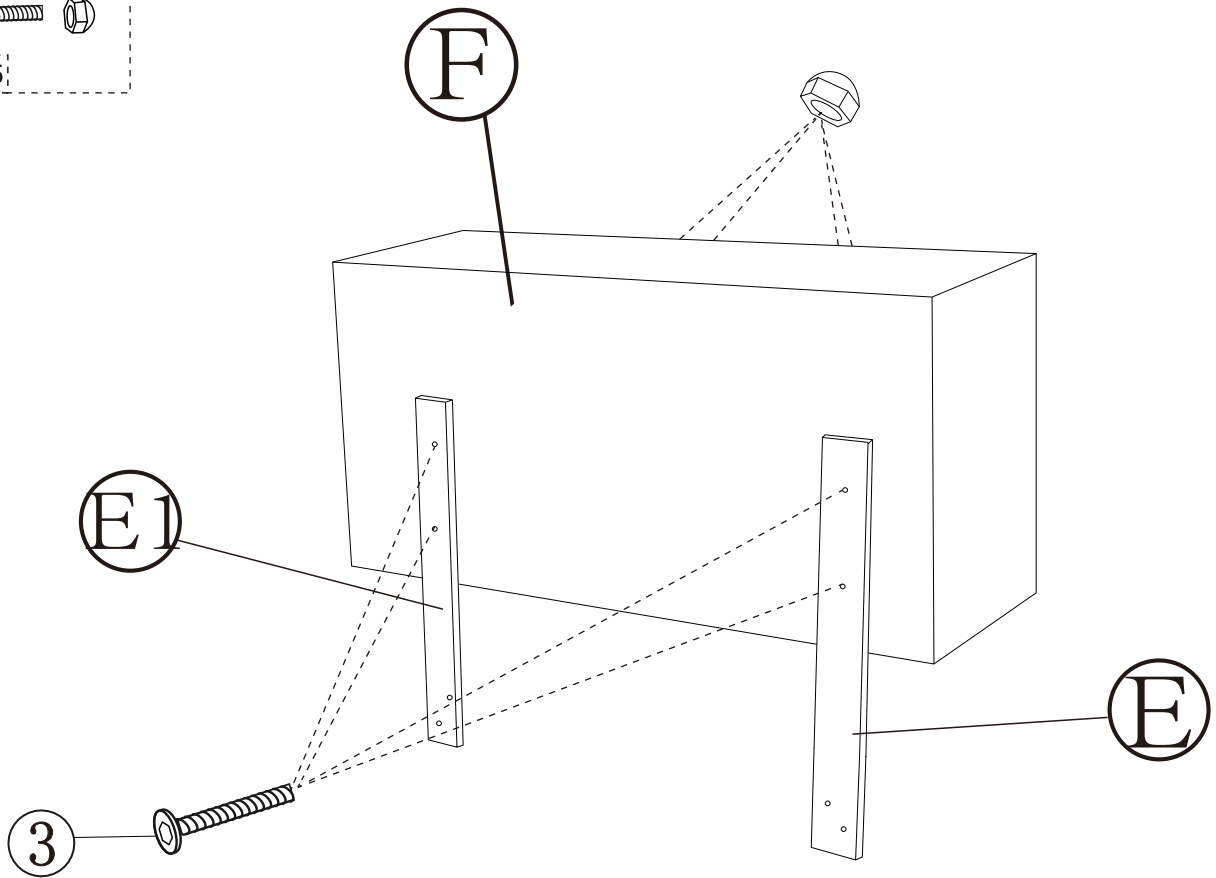
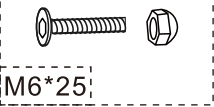
② x 8



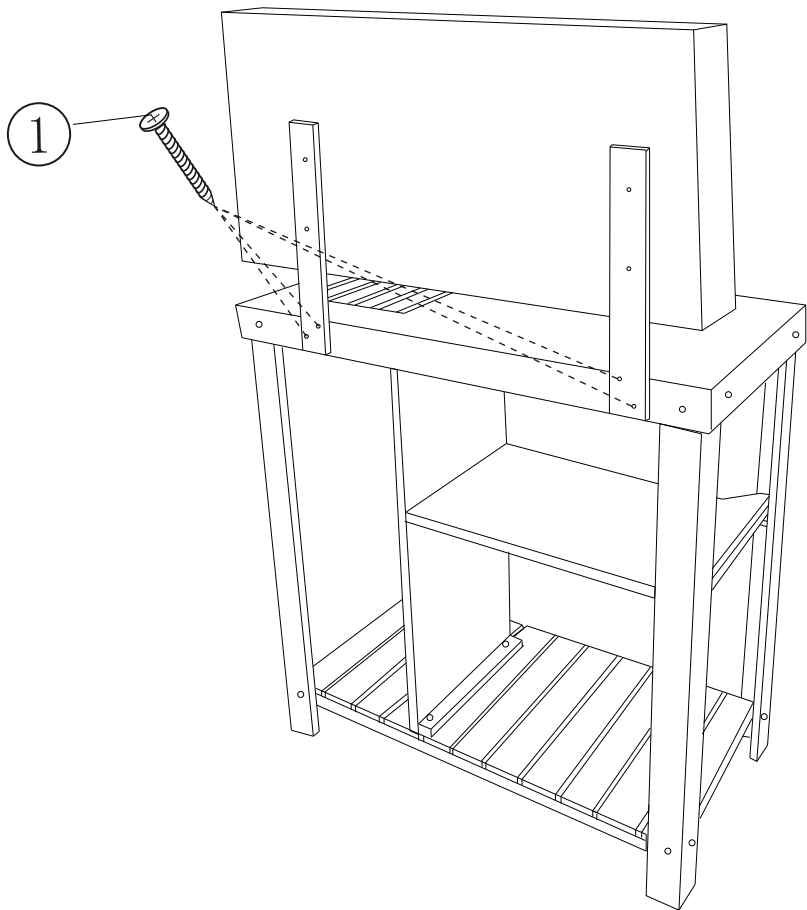
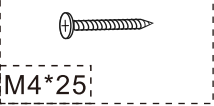
M6\*40



③ x 4



① x 4



4 x 4



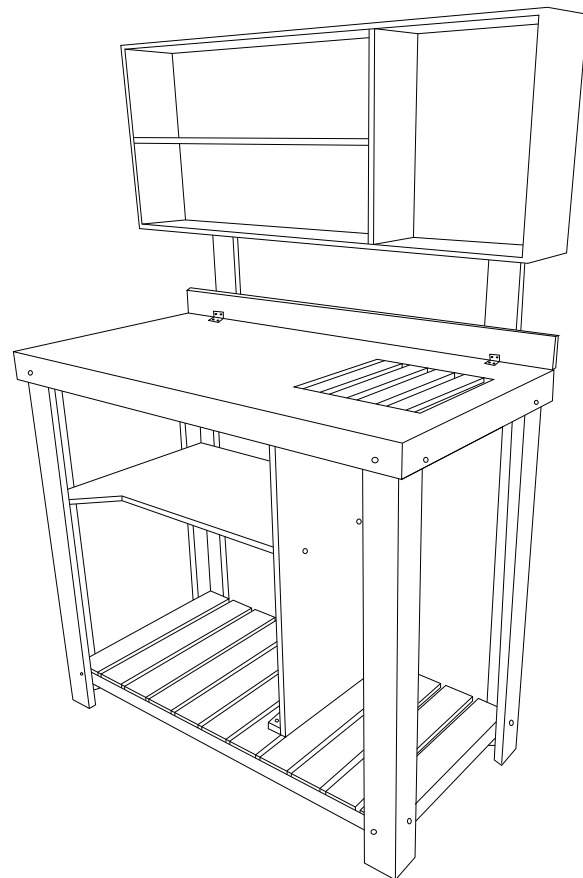
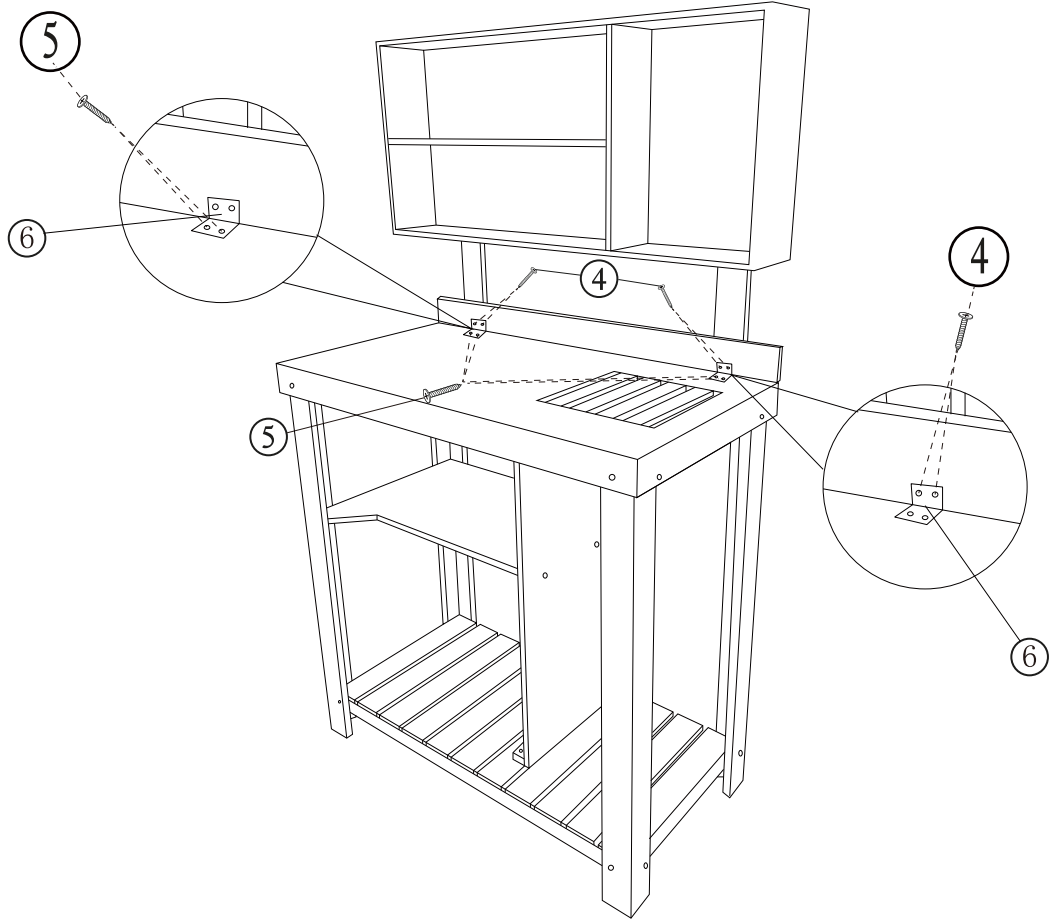
M3.5\*20

5 x 4



M3.5\*12

6 x 2





01



02





03

04

05

06

07

08



02



03



04

05

06

07

08

09



