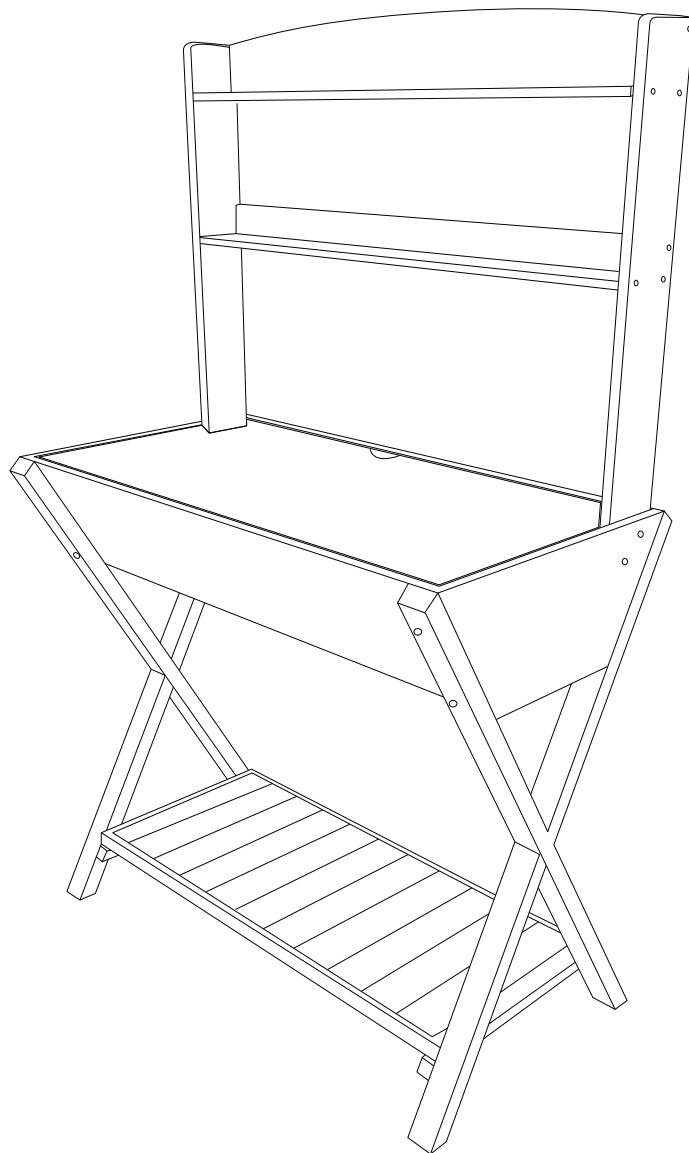




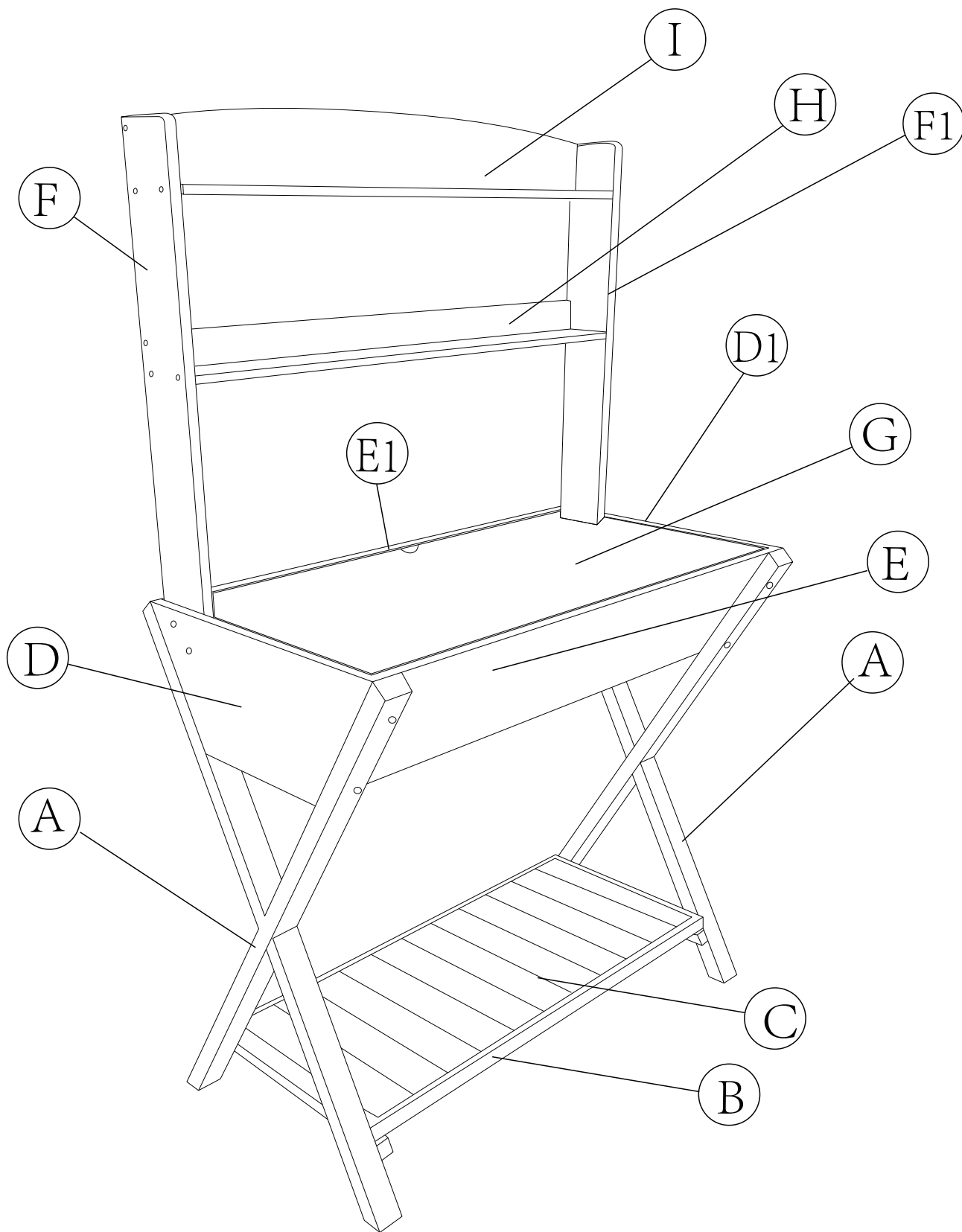
INbme009\_GL

**845-542**

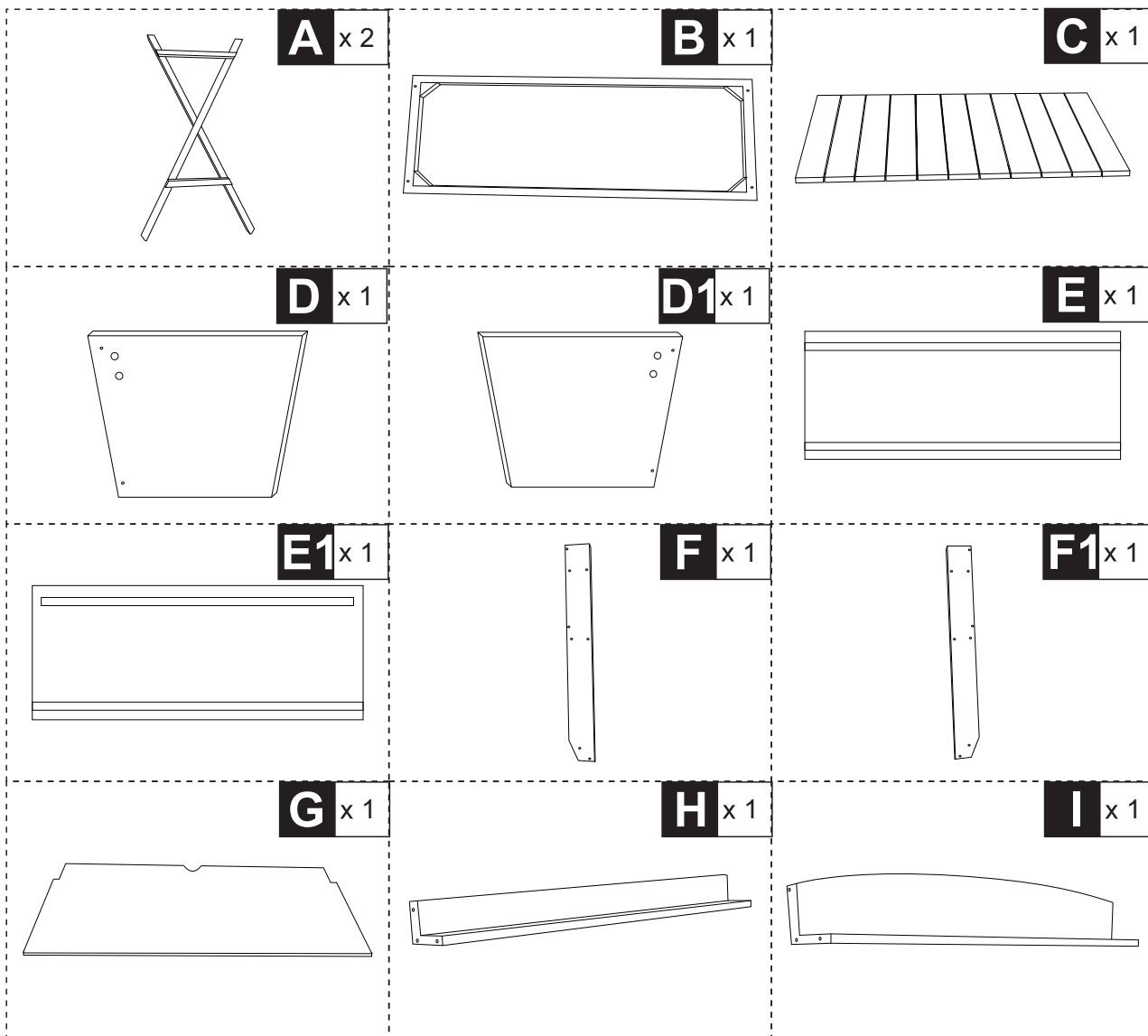


**IMPORTANT, RETAIN FOR FUTURE REFERENCE: READ CAREFULLY**

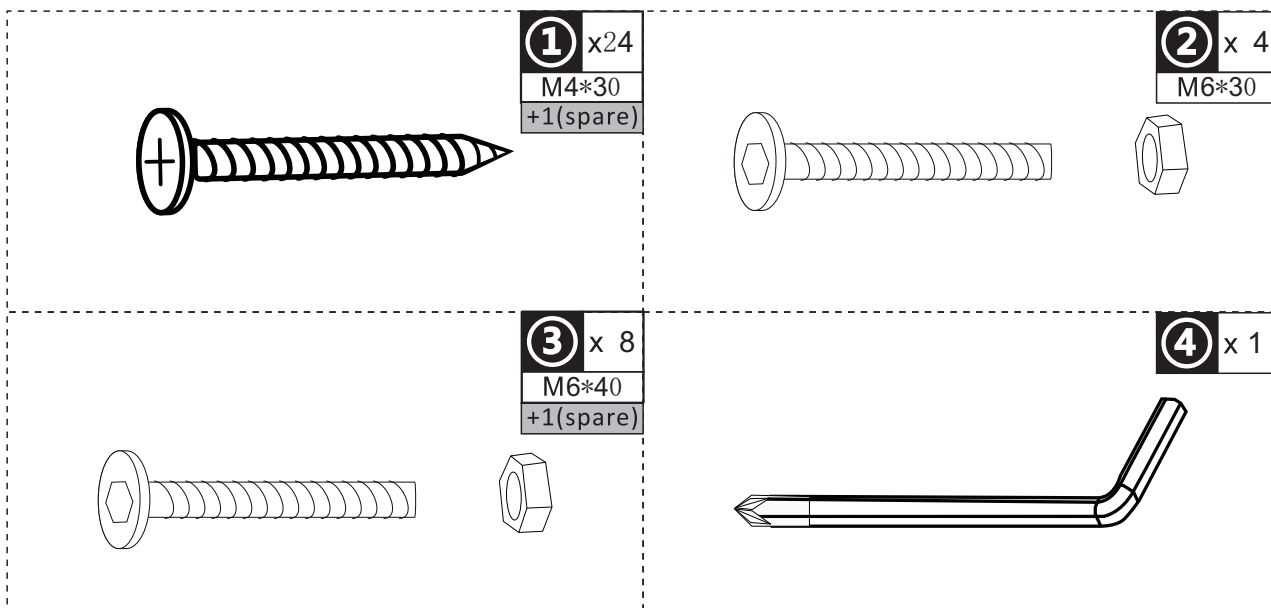
**ASSEMBLY & INSTRUCTION MANUAL**



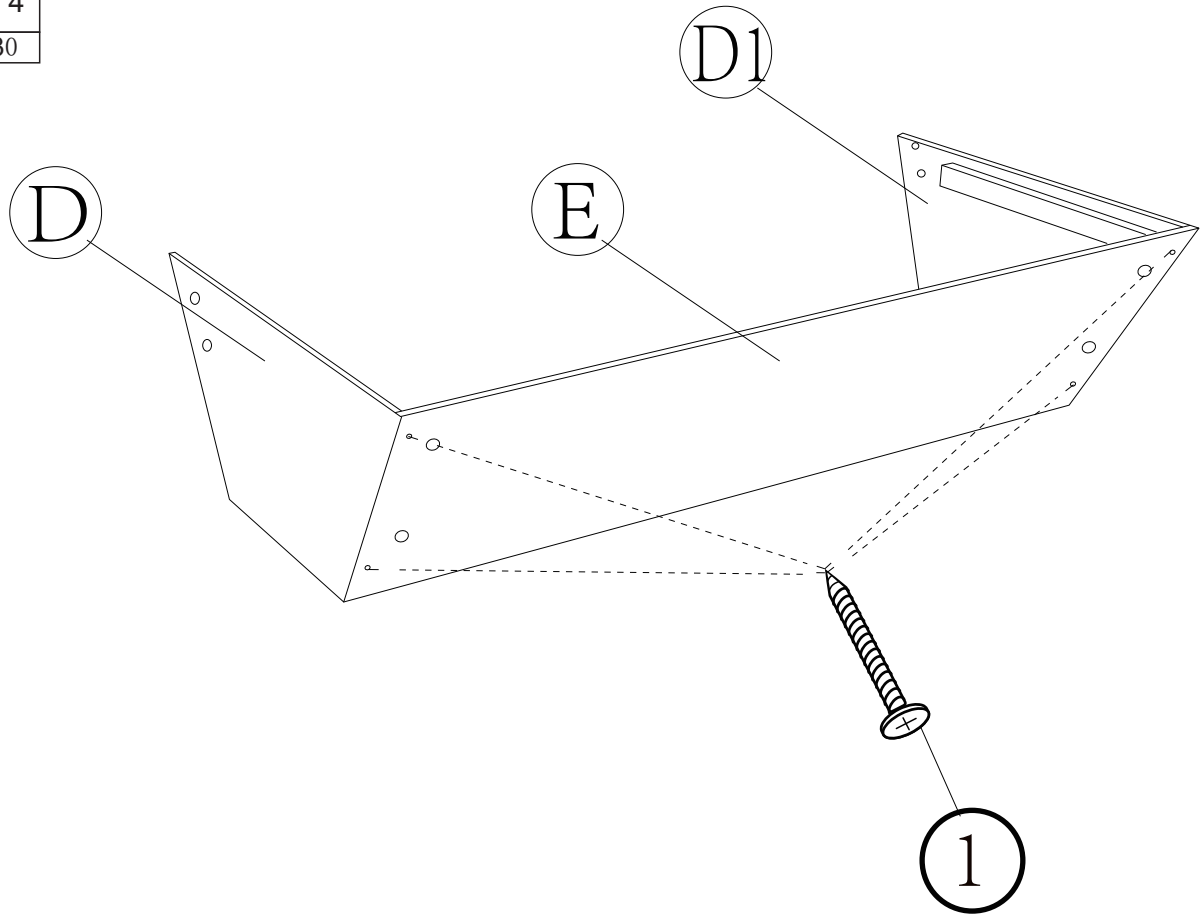
**PARTS**



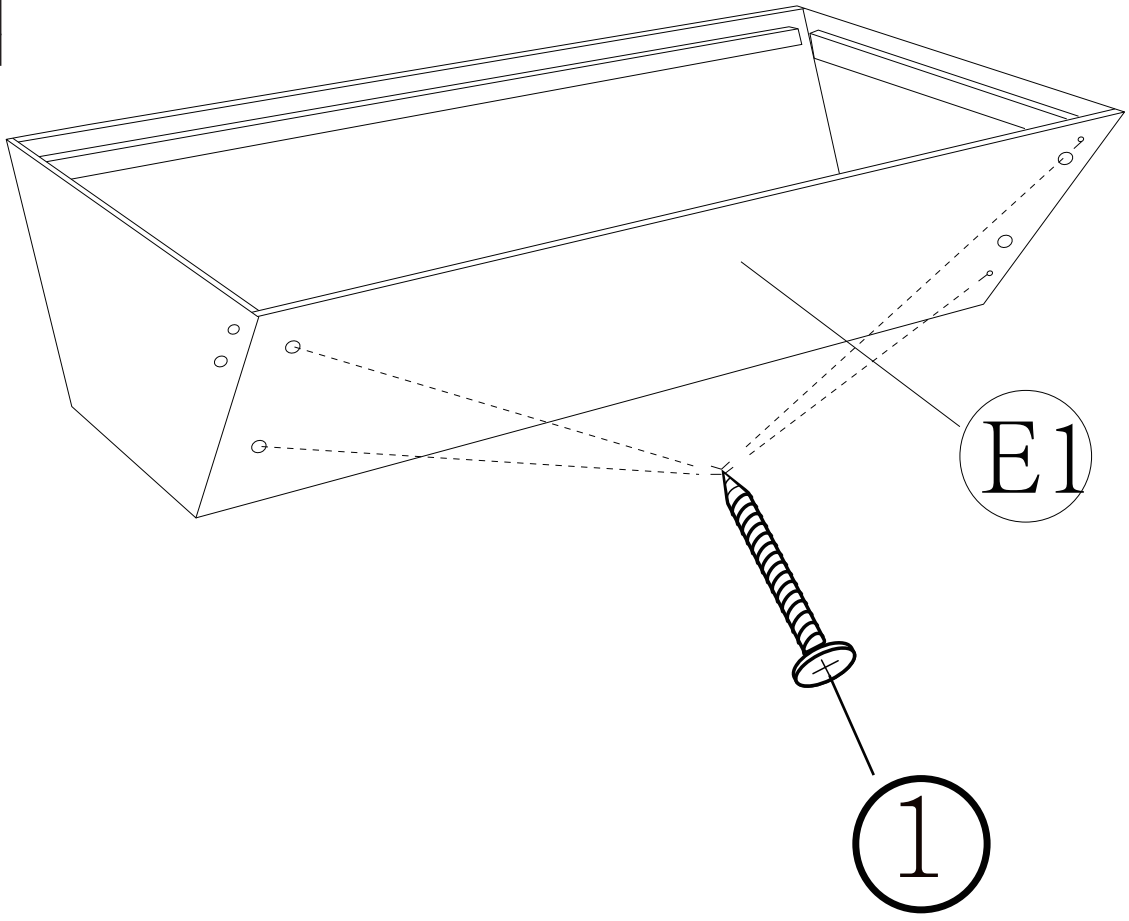
**HARDWARE**

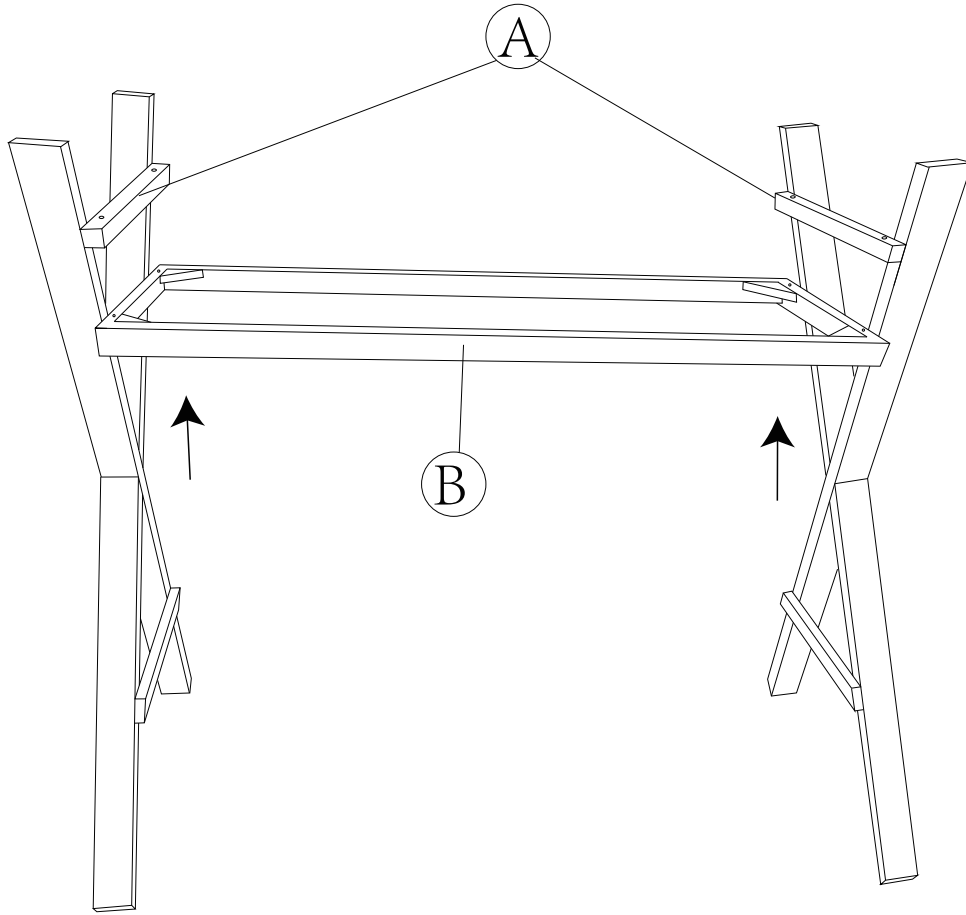


1 x 4  
M4\*30

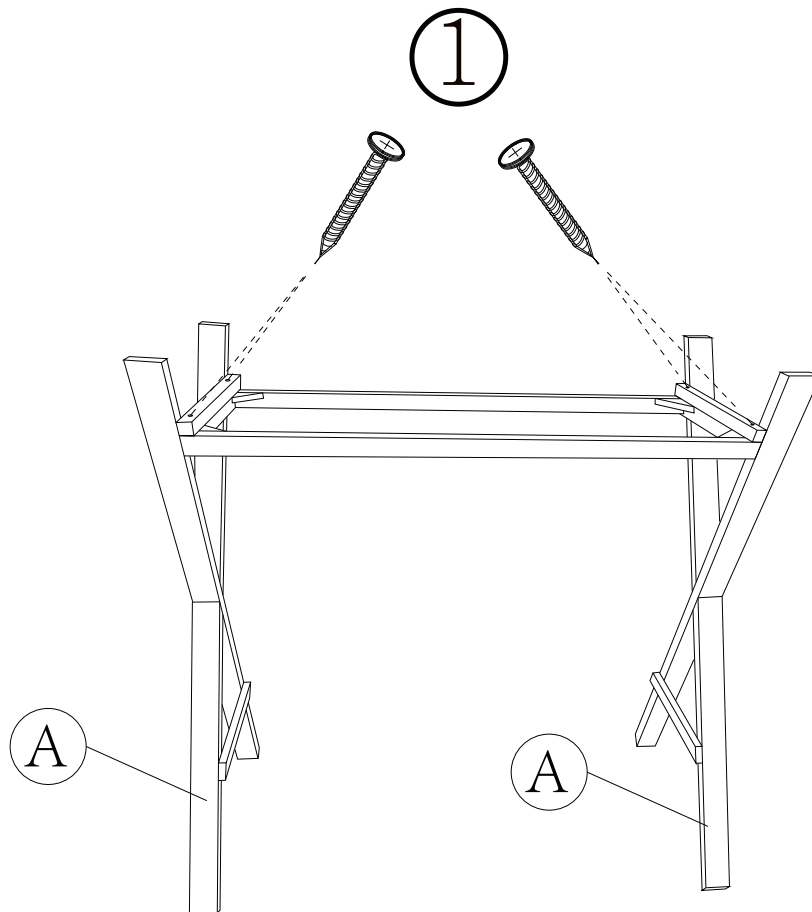


1 x 4  
M4\*30

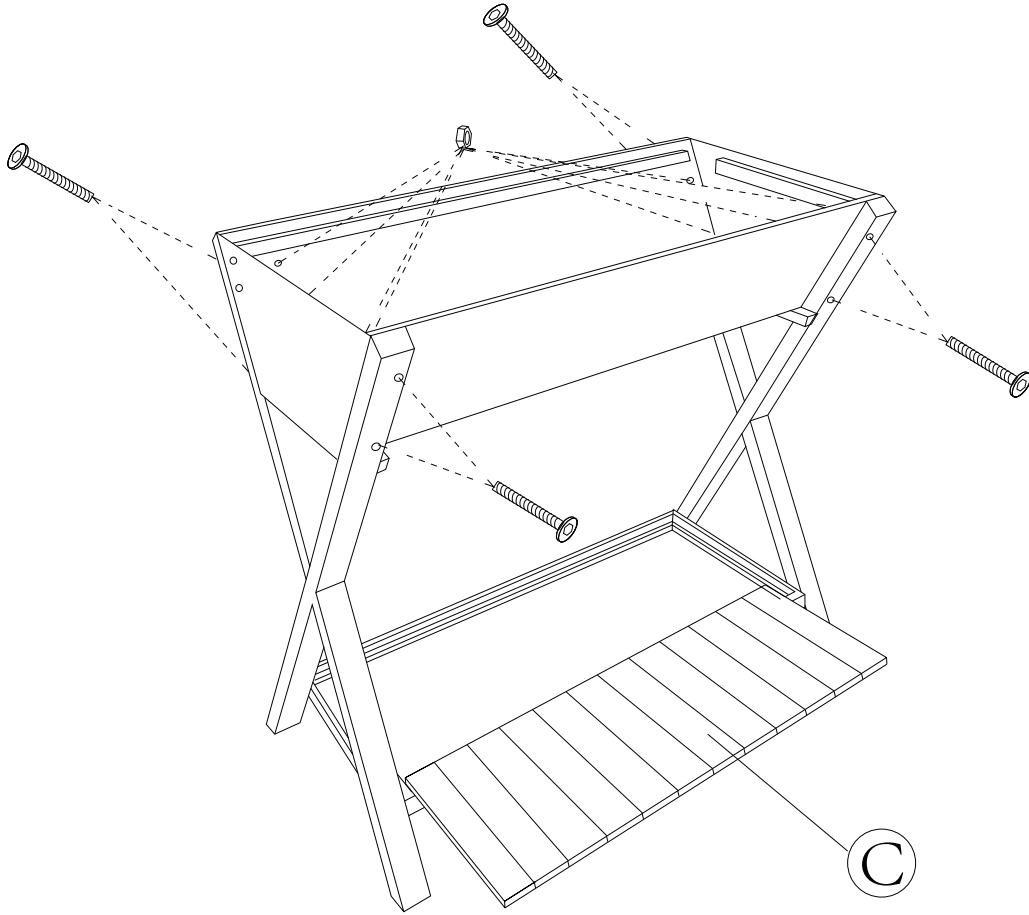




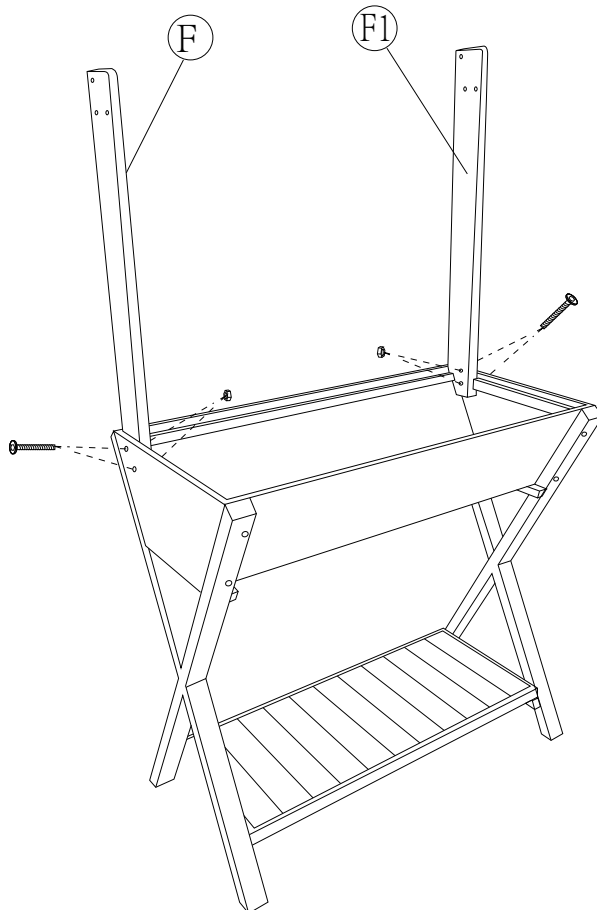
1 x 4  
M4\*30

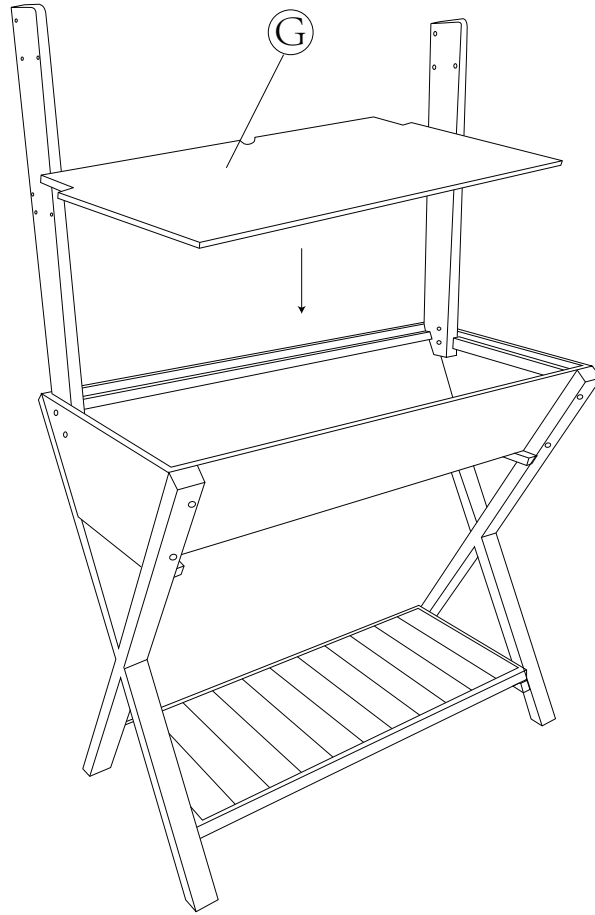


3 x 8  
M6\*40

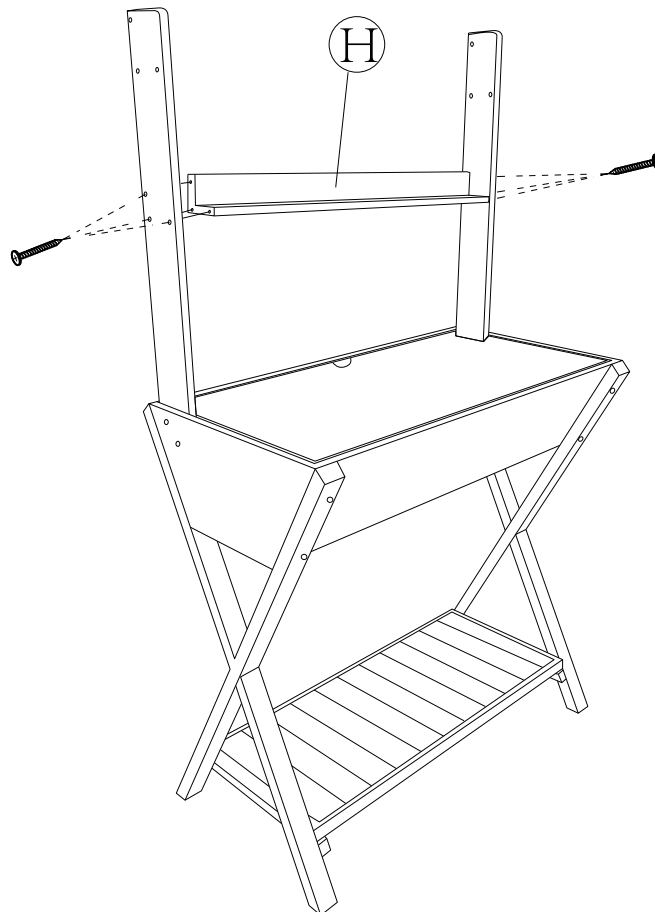


2 x 4  
M6\*30





**1** x 6  
M4\*30



1 x 6  
M4\*30

