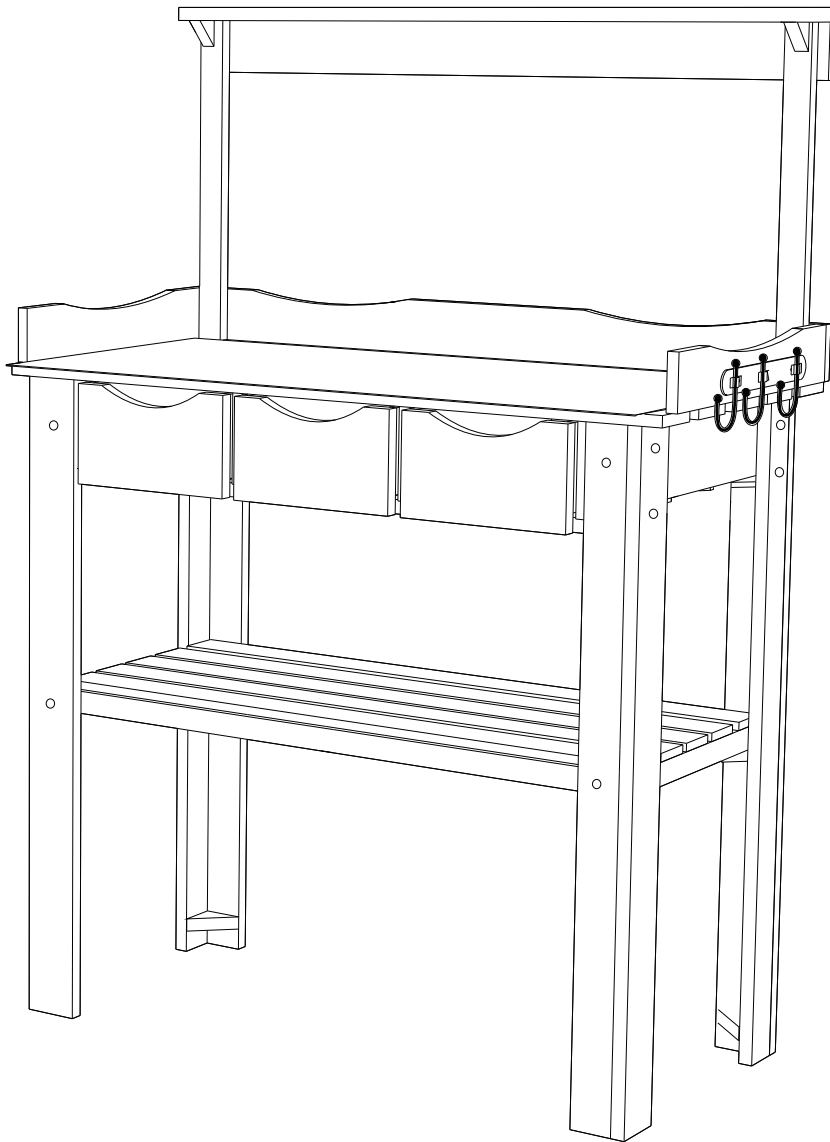




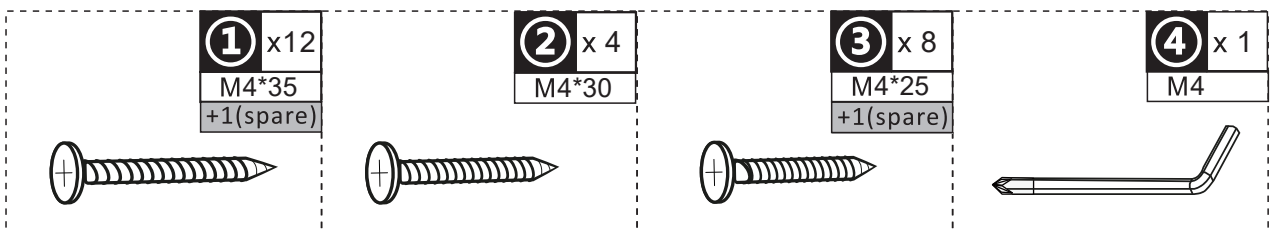
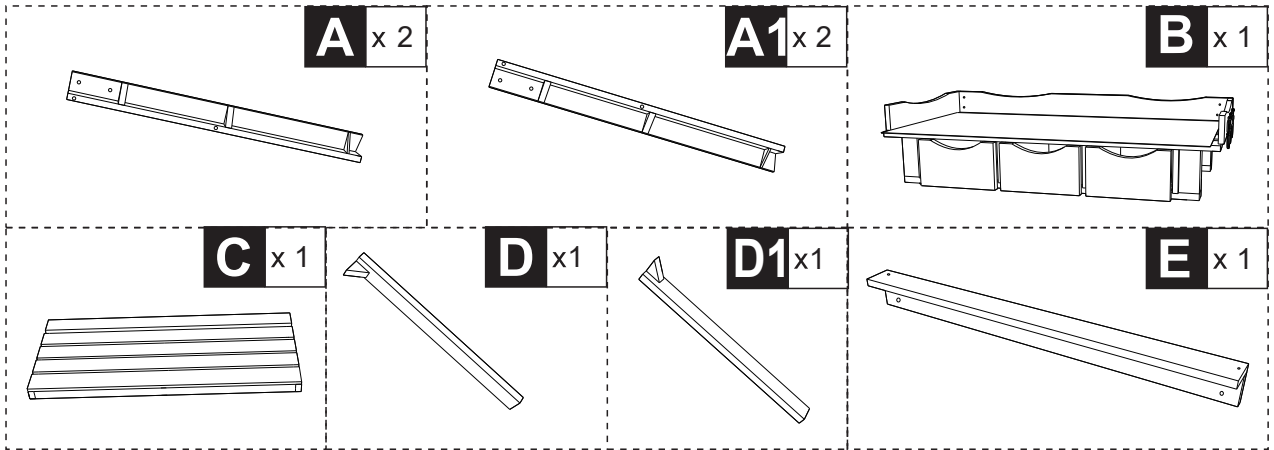
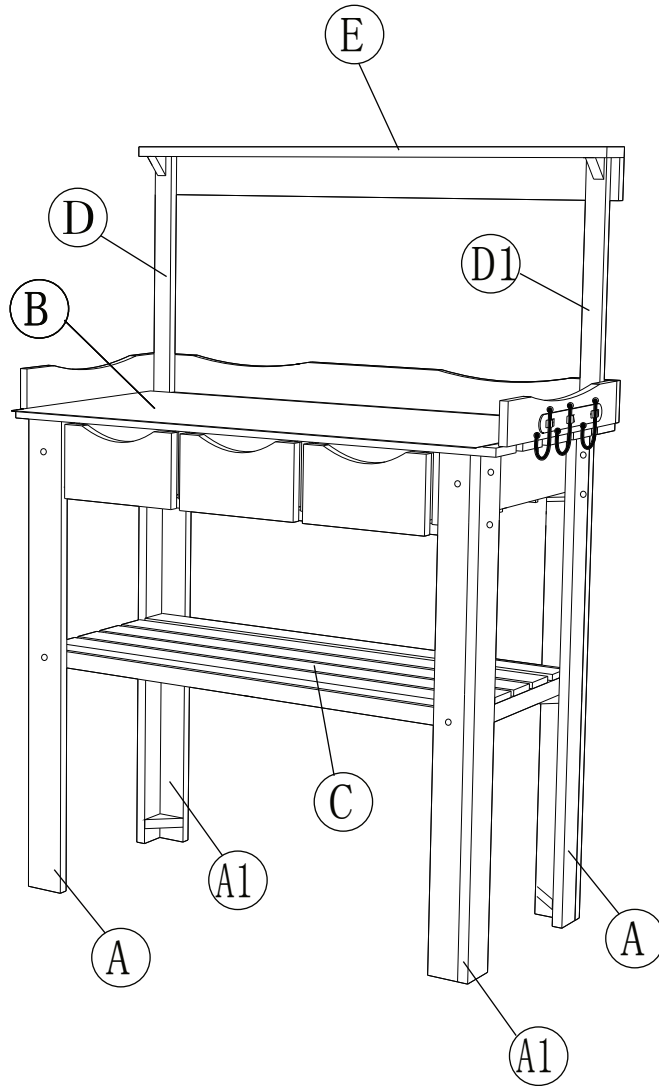
INbme010V01_GL

845-604

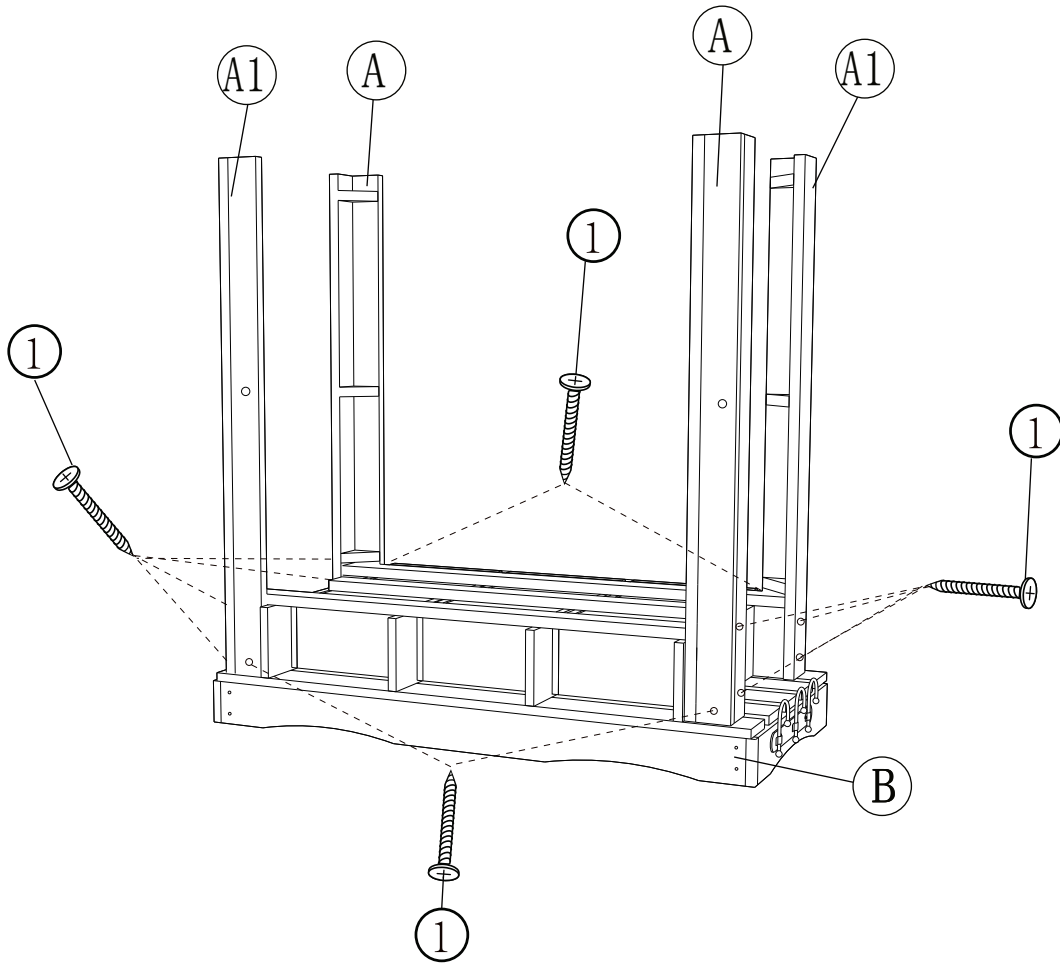


IMPORTANT, RETAIN FOR FUTURE REFERENCE: READ CAREFULLY

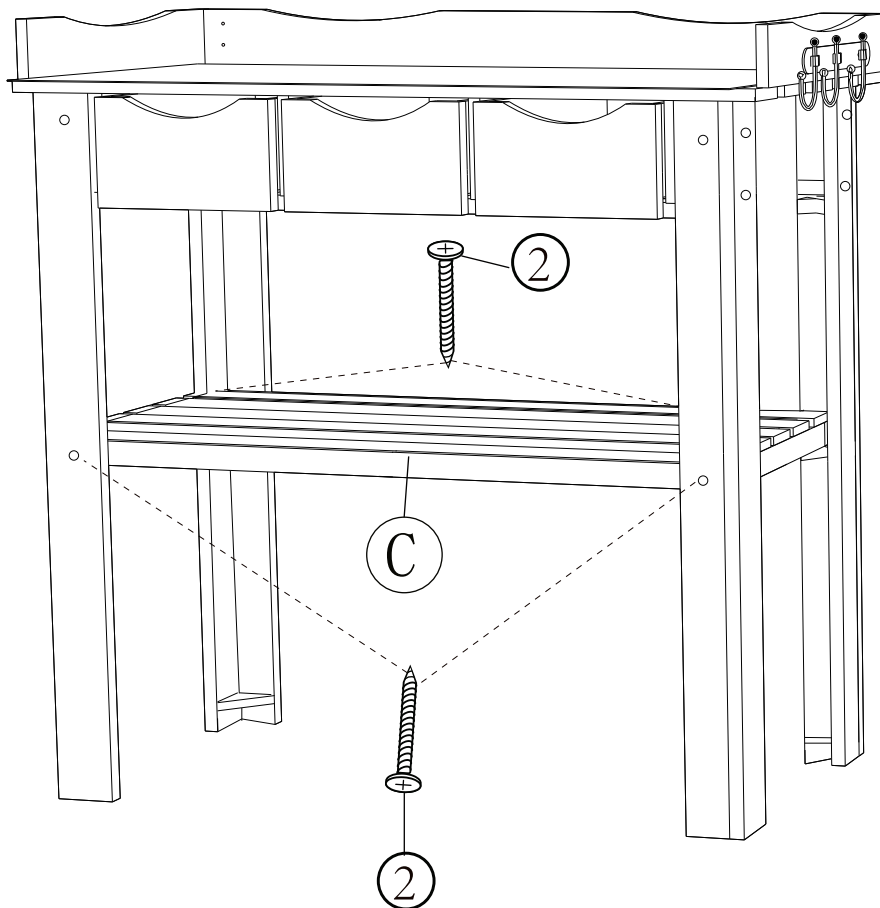
ASSEMBLY & INSTRUCTION MANUAL



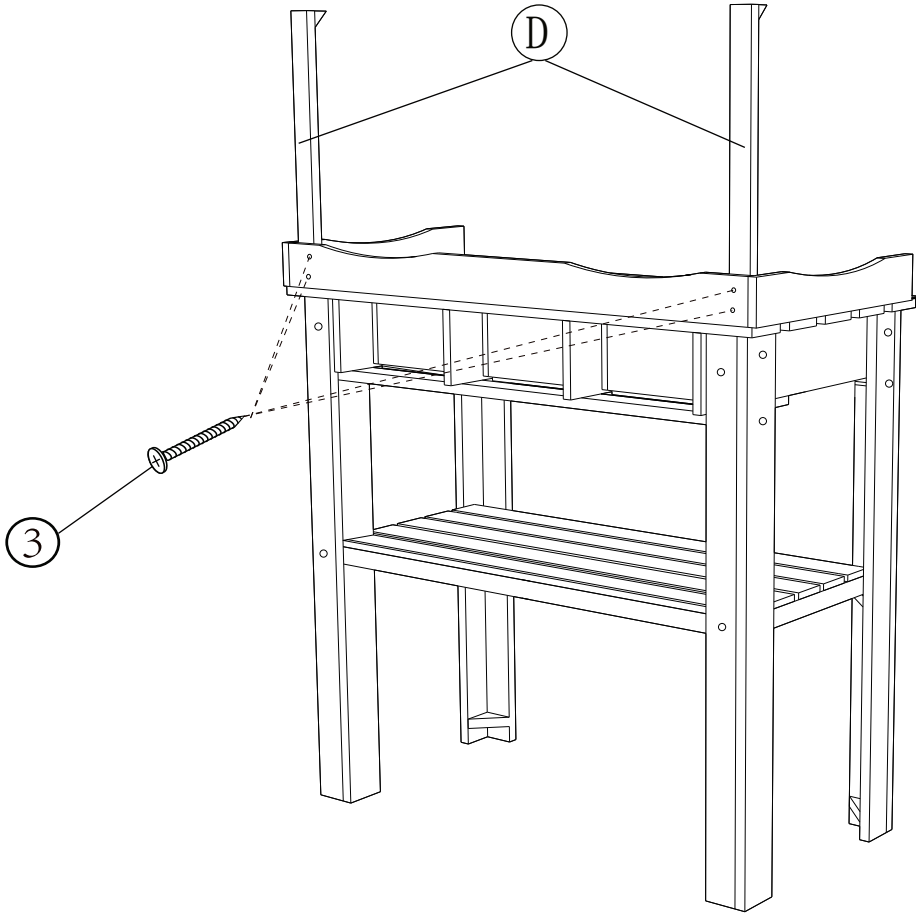
① x12
M4*35



② x 4
M4*30



3 x 4
M4*25



3 x 4
M4*25

