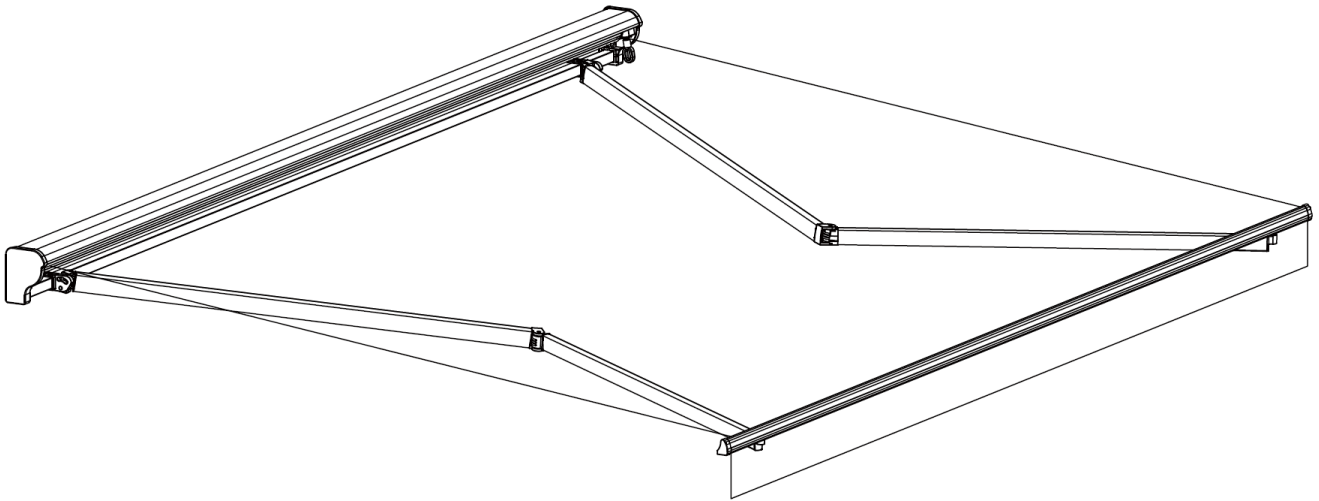




Instructions for Installation And Operation

840-213 840-213V01 EN C000000



Attention:

Do not remove the bindings holding the two extension arms until fully assembled. These are spring-loaded and can cause serious injury if allowed to spring free.



Attention:




















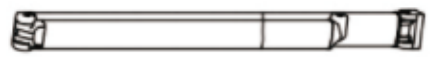










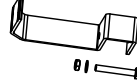



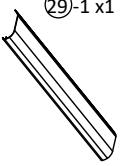
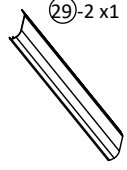
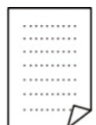
Read this instruction manual carefully and completely before mounting and usage. Keep this manual for future reference.

Dear Customer:

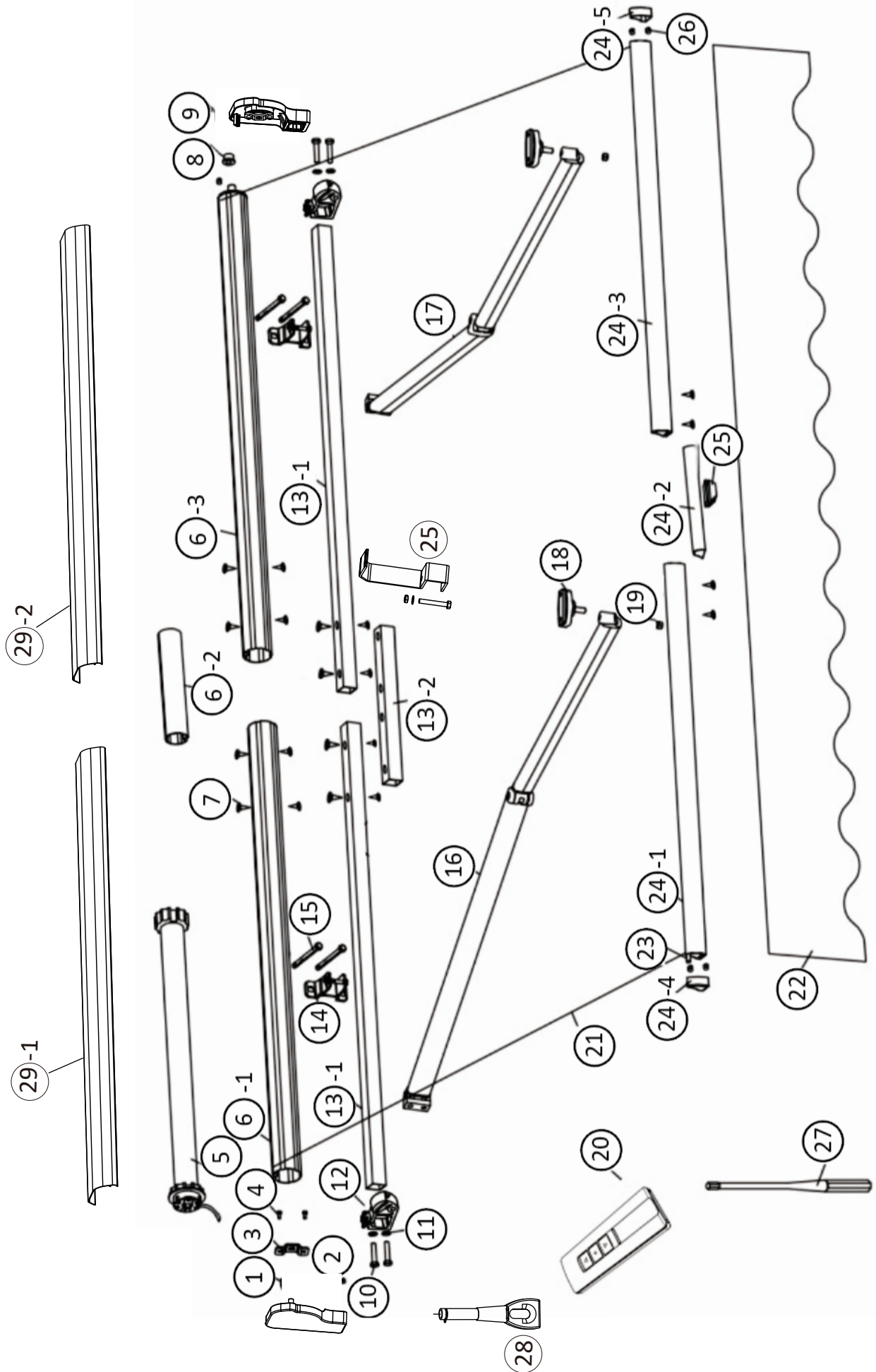
Congratulations and thank you for buying an awning from us. To enjoy this product for a long time and for your own and the safety of other people please obey the mounting instructions.

Before you start mounting and using the awning, please get familiar with this product. Make sure all parts listed up in below packing lists are delivered and intact. If you find that there are parts missing or damaged please do not install the awning but contact after service . Do not start the mounting if parts are missing.

List of the parts

<p>① x1</p> 	<p>② x4</p>  <p>ST5x19</p>	<p>③ x1</p> 	<p>④ x2</p>  <p>M6x16</p>	<p>⑤ x1</p> 	<p>⑥ -1 x1</p> 			
<p>⑥ -2 x1</p> 	<p>⑥ -3 x1</p> 	<p>⑦ x18</p>  <p>ST3.7x13</p>	<p>⑧ x1</p> 	<p>⑨ x1</p> 	<p>⑩ x4</p>  <p>M12x45</p>	<p>⑪ x4</p>  <p>Φ12</p>		
<p>⑫ x2</p> 	<p>⑬ -1 x2</p> 	<p>⑬ -2 x1</p> 	<p>⑭ x2</p> 	<p>⑮ x4</p> 				
<p>⑯ x1</p> 	<p>⑰ x1</p> 	<p>⑱ x2</p>  <p>M10</p>	<p>⑲ x2</p> 	<p>⑳ x1</p> 	<p>㉑ ㉒ x1</p> 	<p>㉓ x3</p> 		
<p>㉔ -1 x1</p> 	<p>㉔ -2 x1</p> 	<p>㉔ -3 x1</p> 						
<p>㉔ -4 x1</p> 	<p>㉔ -5 x1</p> 	<p>㉕ x1</p> 	<p>㉖ x6</p> 	<p>㉗ x1</p> 	<p>㉘ x1</p> 	<p>㉙ -1 x1</p> 	<p>㉙ -2 x1</p> 	<p>Instruction</p> 


Explosive drawing of Awning




Important Safety Instructions

Warning: For your own and the safety of other persons it is important to follow below instructions and obey warnings.

Symbol explanation

 This warning triangle calls attention to hazards that it can lead to death or to severe injuries or which is important for the functioning of the awning.

 This sign identifies important notes.

Safety instructions


 **To install this awning technical knowledge is necessary.** Do not mount this awning yourself but contact a professional workman for help if necessary


you are unsure if the awning can be mounted on the place you chose for installation.


you do not understand the instruction manual or parts of it.


you do not have necessary tools available.


you do not have necessary technical knowledge


 **A minimum of two healthy adults are required to move and install the awning** as the product is big and heavy. Do not try to install the awning alone. If the awning falls, it could cause serious injuries and damages! Contact an authorized assembler for help.


 **Do not install the awning when you find damage parts are that parts are missing.**
Contact your dealer.

 **Keep children and pets out of the working area during assembly and adjustments.**

 **This product and its fixing parts are only suitable for installation on a plain cement wall or stable unrendered brickwork. If the wall/brickwork shows cracks you have to consult a professional.**

 **If your building has an exterior shell (such as insulation, double brick wall, brick facing), installation should be taken out by a professional.**

 **Nobody is allowed to change the products' design and structure** without the permission of manufacture or authorized deputy.

 Please make sure that your hands are clean at the time of the assembly; otherwise you may soil the awning fabric and frame.

 **The operation in frosty conditions may damage the awning.**

 **The operation in snowy conditions may damage the awning.**



In case of rain retract the awning if tilt angle is less than 14°.



Nobody is allowed to climb onto the awning. Hanging anything on the awning is forbidden.



Sheeting was used to protect the paint. This must be removed afterwards.



When extended, various forces, including wind and rain, will affect an awning. These sometimes substantial forces must be absorbed by the awning and transferred to the assembled structure via its mounting brackets. Under extreme loads, excessive attractive force can be exerted on the anchor bolts. Therefore, **before starting assembly, check the load-bearing capacity of the mounting base and if necessary take corresponding measures to ensure stable installation of the brackets.**

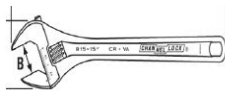
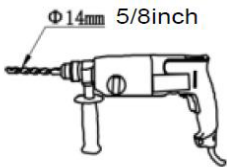
If the mounting base is unstable, you have to consult a specialist in your vicinity.

Assembly

Please read follow item before assembly

- 1). At least two adults are needed to move and install the awning as the product is big and heavy.
- 2). Please use all the screws and nuts tighter during installation as it is very dangerous if you leave it loose.
- 3). Do not cut the strings before the awning completely mounted on the wall.
- 4). Be careful with your finger during installation.
- 5). Take out the hand crank from loop after adjusting the awning as you wish and put it on a place that is not be touched by children.

⚠ Tools required:



Adjustable wrench 1pcs



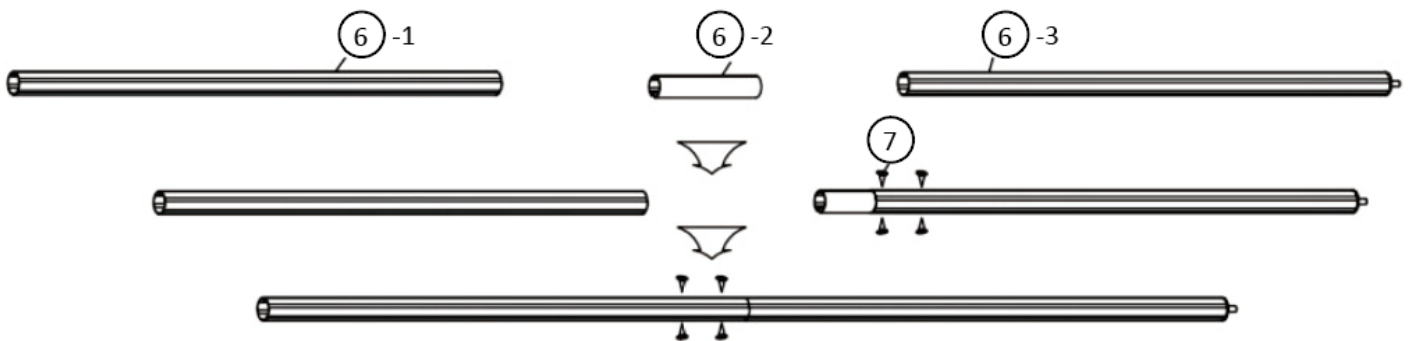
Tape



Ladder 2pcs.

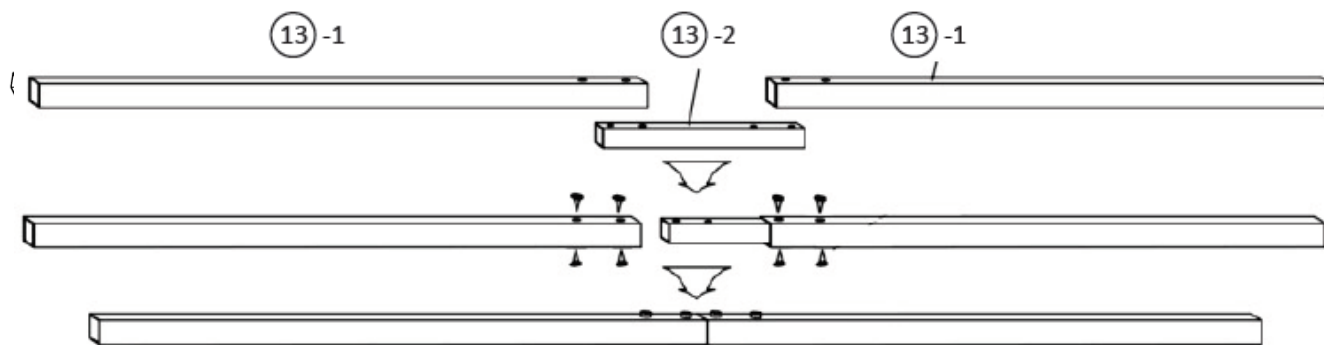
Step 1: Roller assembly

Keep the rollers aligned, assemble the roller with the connectors and secure it with the corresponding bolts as figure below:

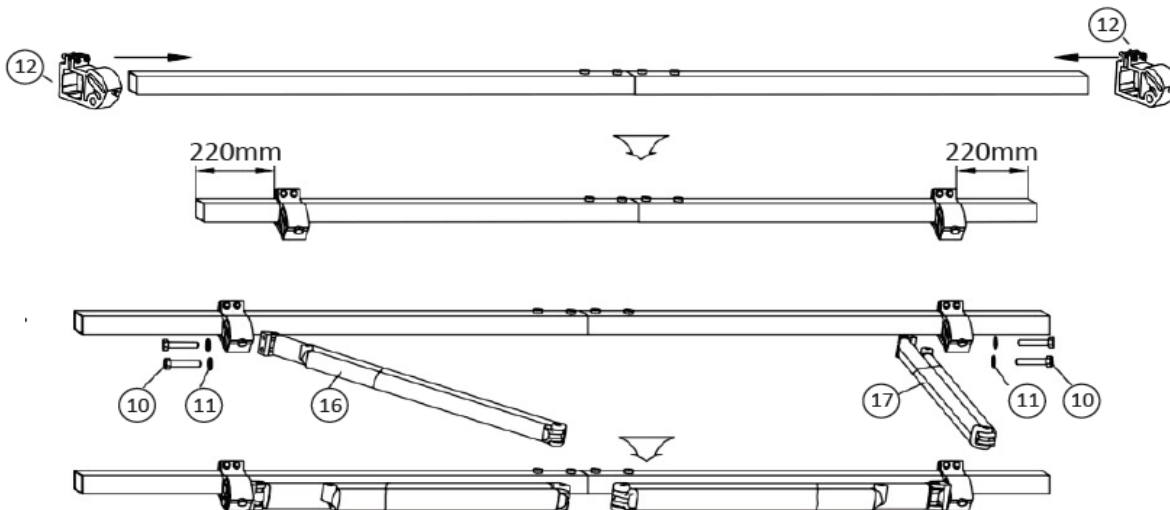


Step 2: Torsion bar and arm assembly:

keep the four face aligned , connect the torsion bar with the connectors and secure it with the corresponding bolts as figure below:

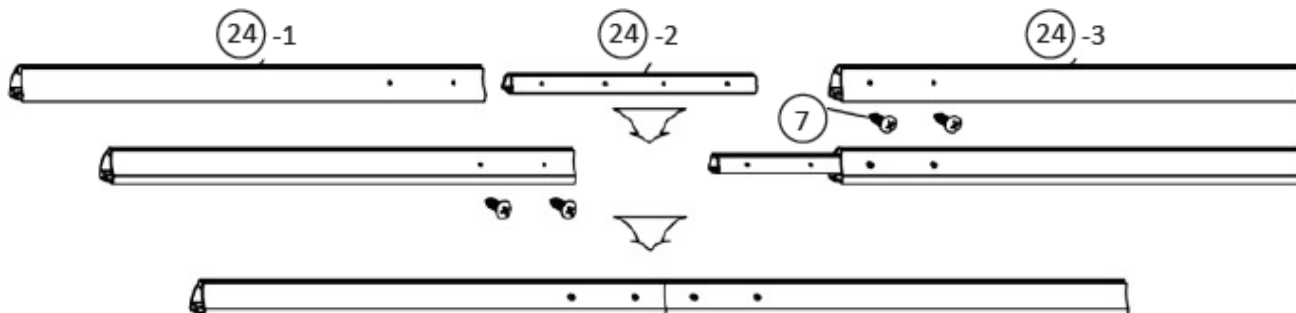


Then assembly the arm to the torsion bar as figure below. Two arms need in the same direction, the rope of arm cannot be unlocked until the whole assembly are complete.



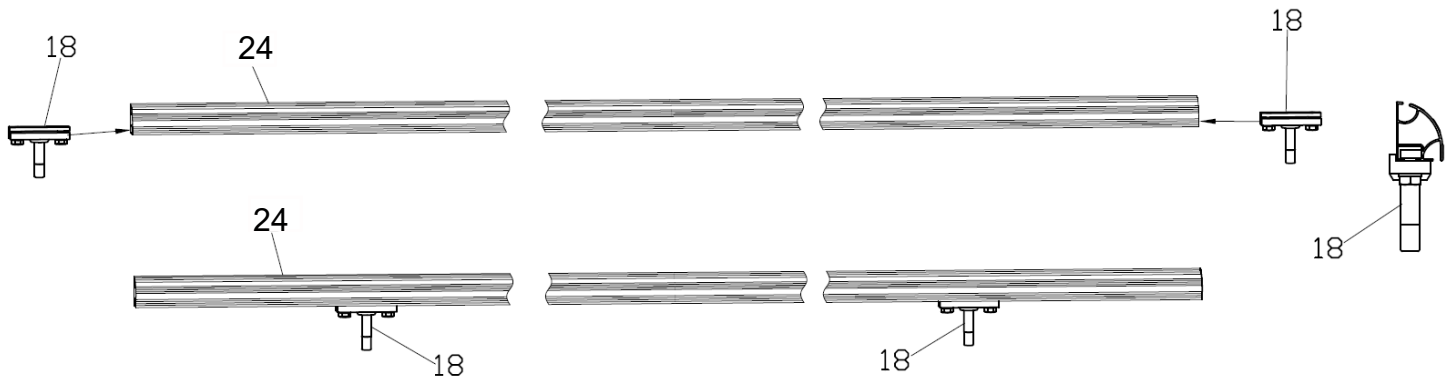
Step3: Front bar assembly

Connect the front bar with connectors and secure it with the corresponding bolts as figure below:
(please keep the front bar aligned).



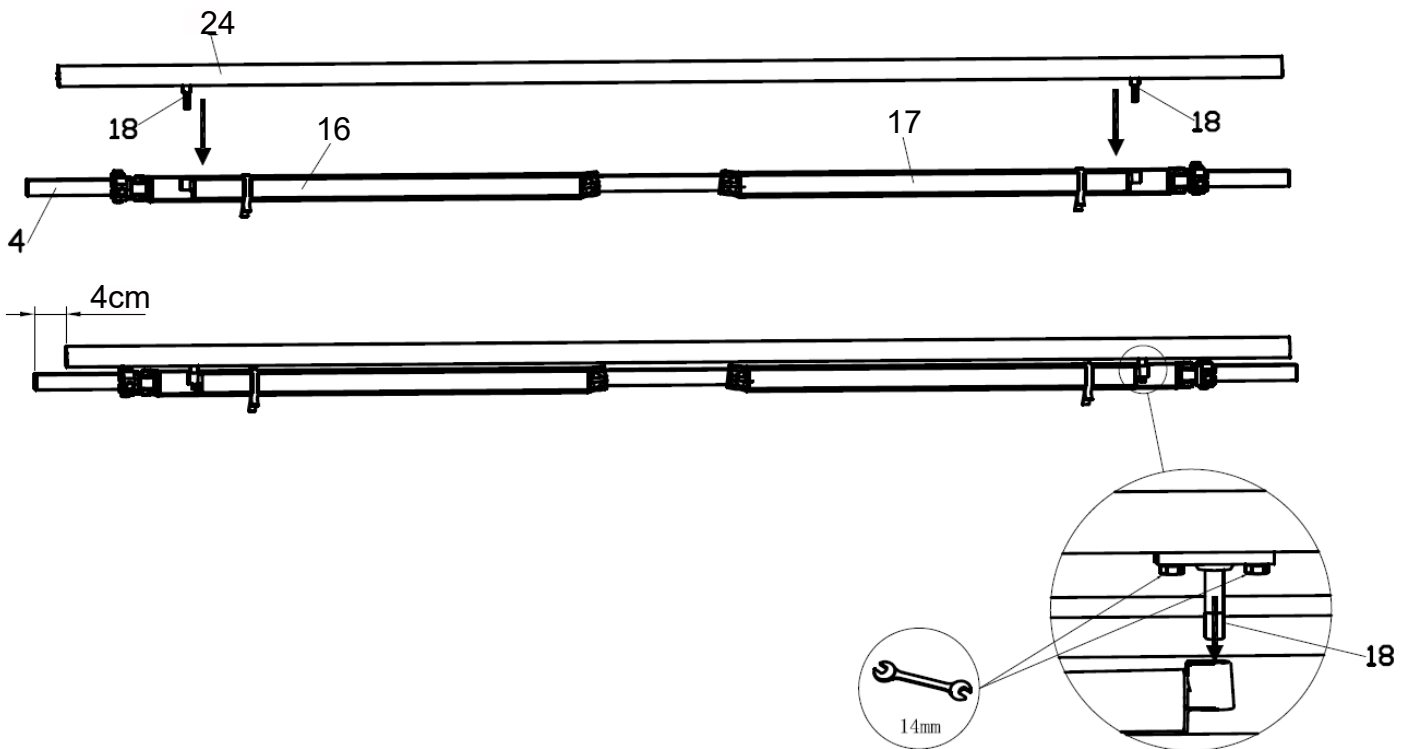
Step 4: Front bar wrist support assembly:

Slide the front bar feet into the front bar without tightening. As shown in the figure below:



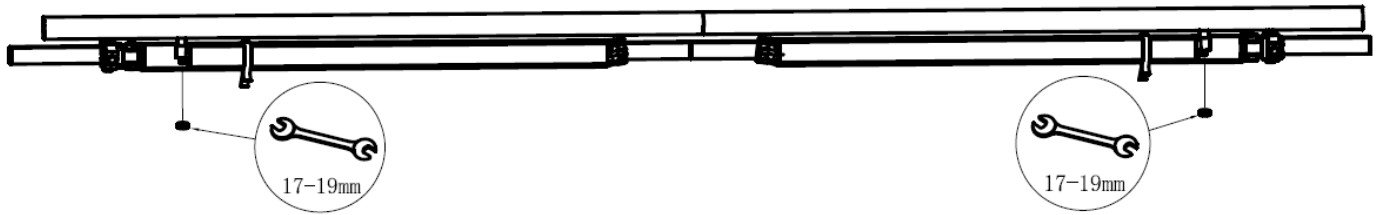
Step 5: Arms with front bar assembly:

Put front bar feet bolt through the hole of small arm, then position the front bar. After positioning, tighten the nut with wrench, as figure below:



Step 6: Link the self-locking nut

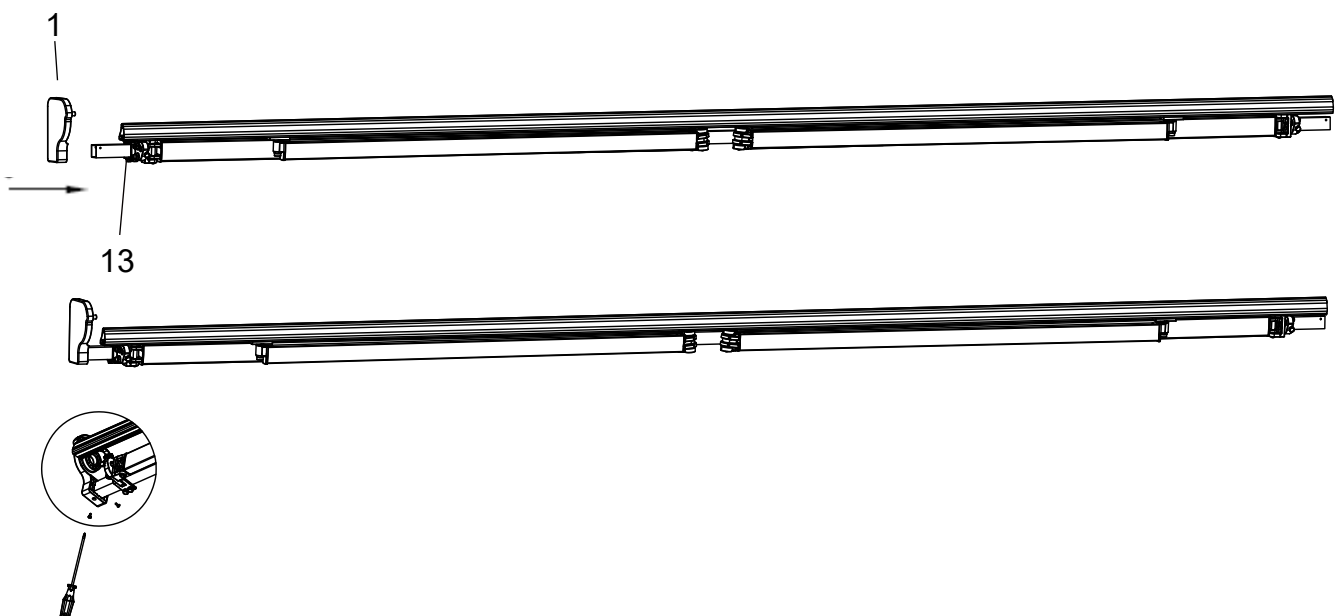
Link the self-locking nut into screw which at the bottom of the screw in front bar feet by a wrench, stop when the thread leakage 1 ~ 2 laps. As shown in the figure below:



ATTENTION: BEFORE BLOCKING THE NUT, ENSURE THAT THE ARMS ARE PROPERLY ALIGNED.

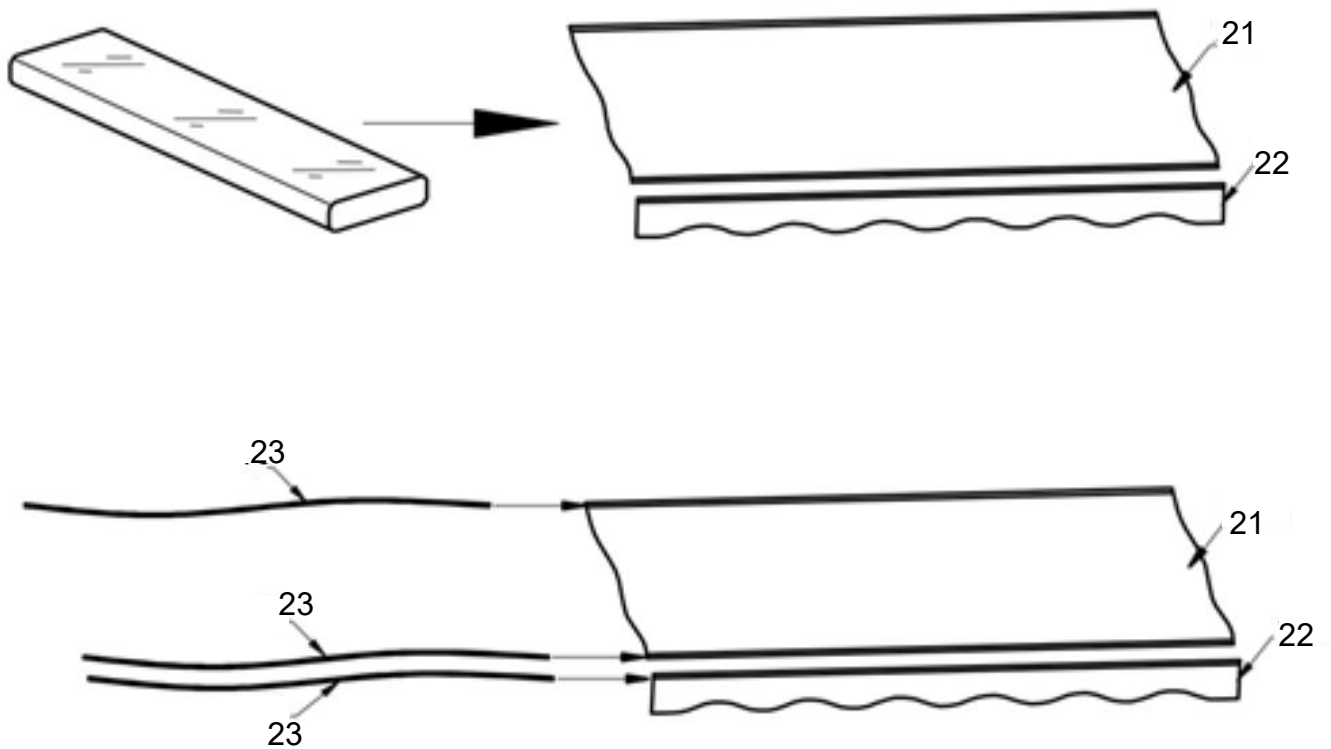
Step7: Left roller support with gear box assembly:

Hammer the left roller support with into the left end of torsion bar by wood hammer, then tighten the left screw by phillips screwdriver. As shown in the figure below:



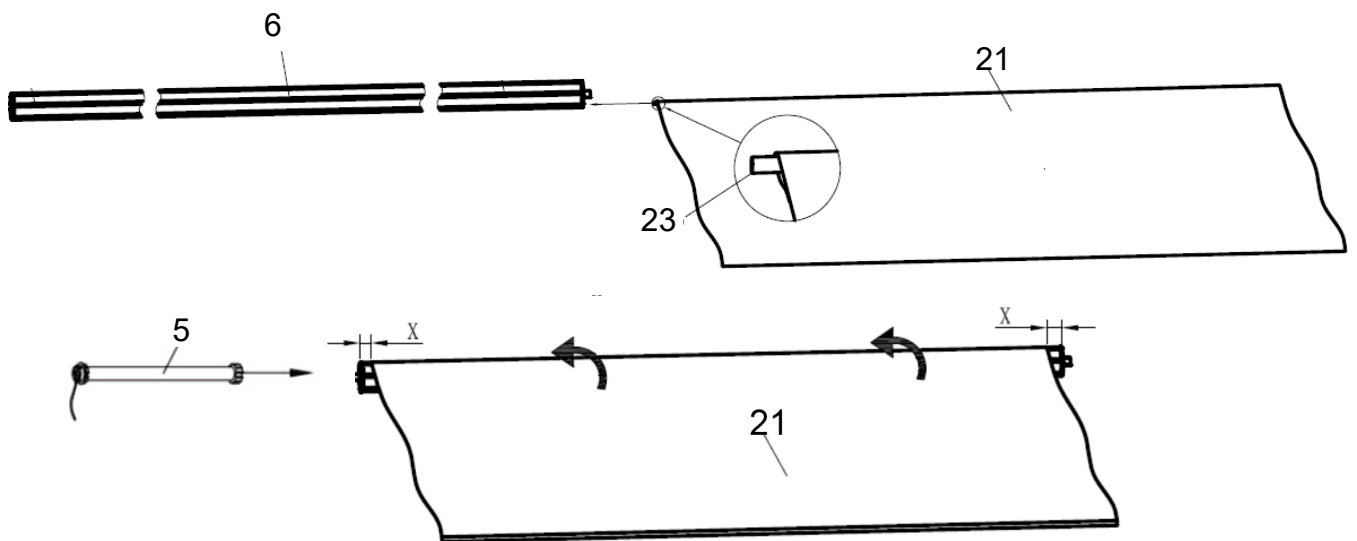
Step 8: Fabric and valance assembly:

Open the fabric bag, Spread out both fabric 14A and valance 14B and use the cloth guiding wire to line through the fabric. As shown in the figure below:



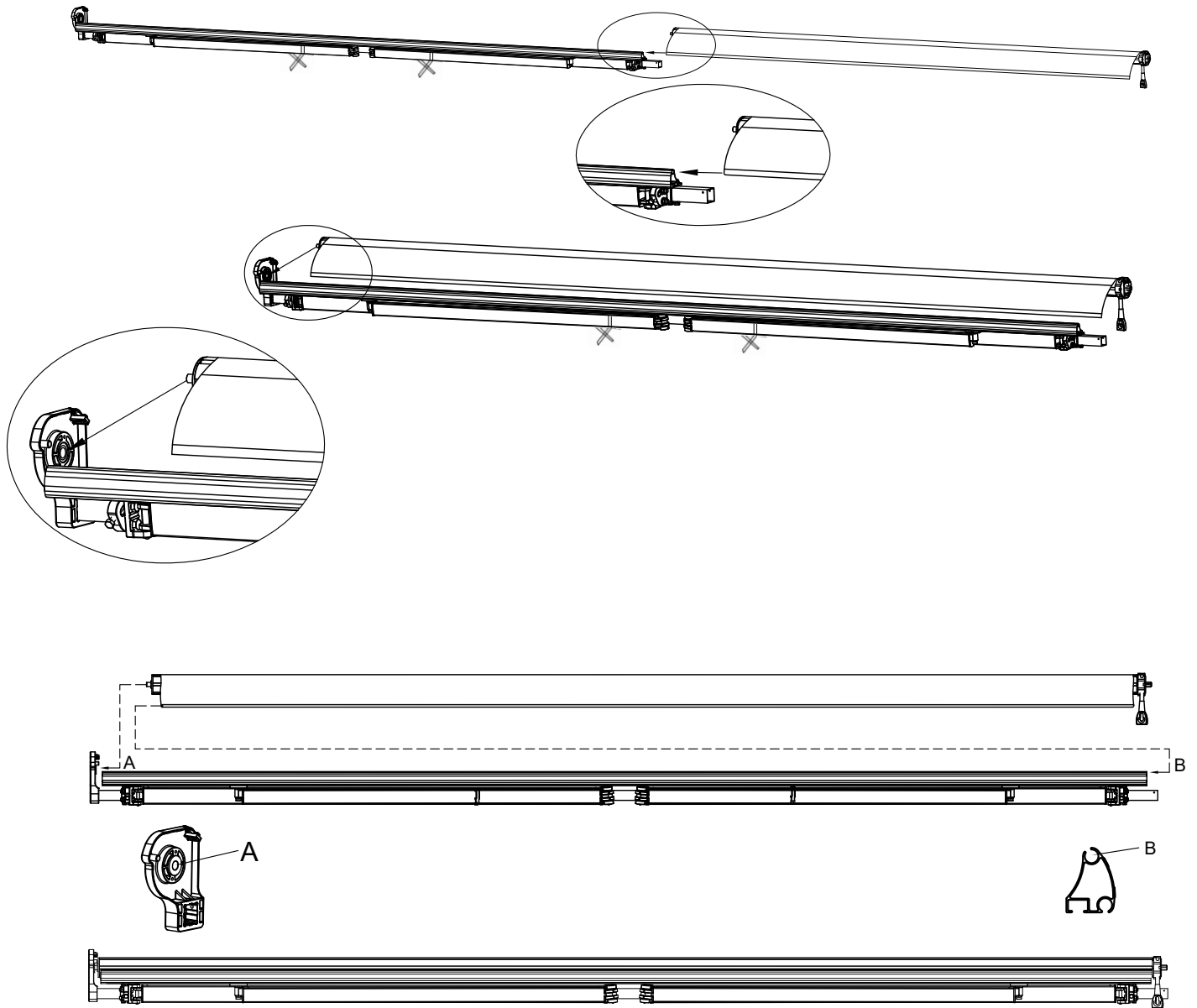
Step 9: Roll in the fabric on the roller

Roll in the fabric on the roller, pay attention to the fabric direction needed, as shown in the figure below: Please face up the fabric when assembling. Keep the same spacing X at both ends. Spread the fabric slowly in case of damage.



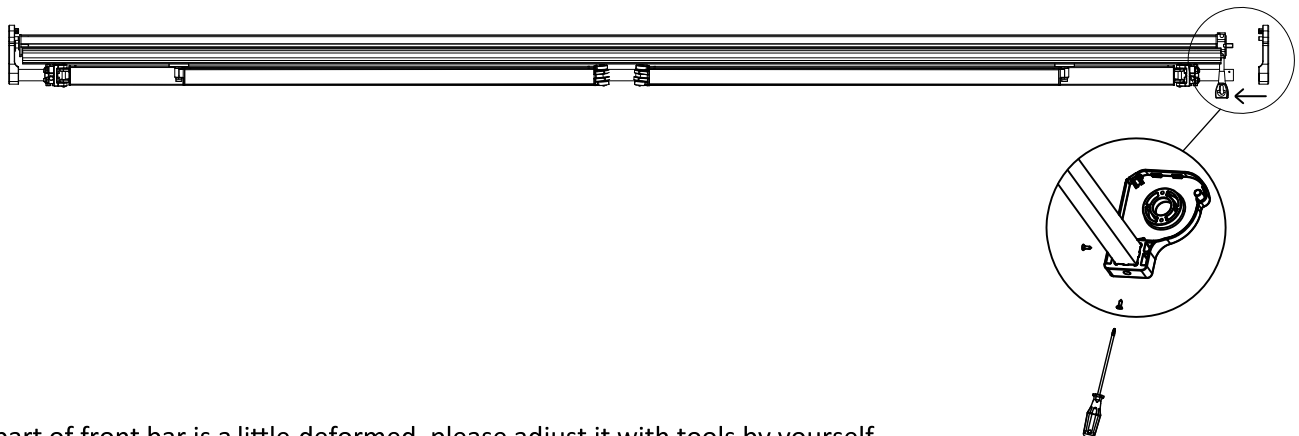
Step 10:

One end of fabric through the groove of front bar, well-distributed the fabric after pull in all fabric, then insert shaft of roller into the square hole of gear case. As shown in the figure below,



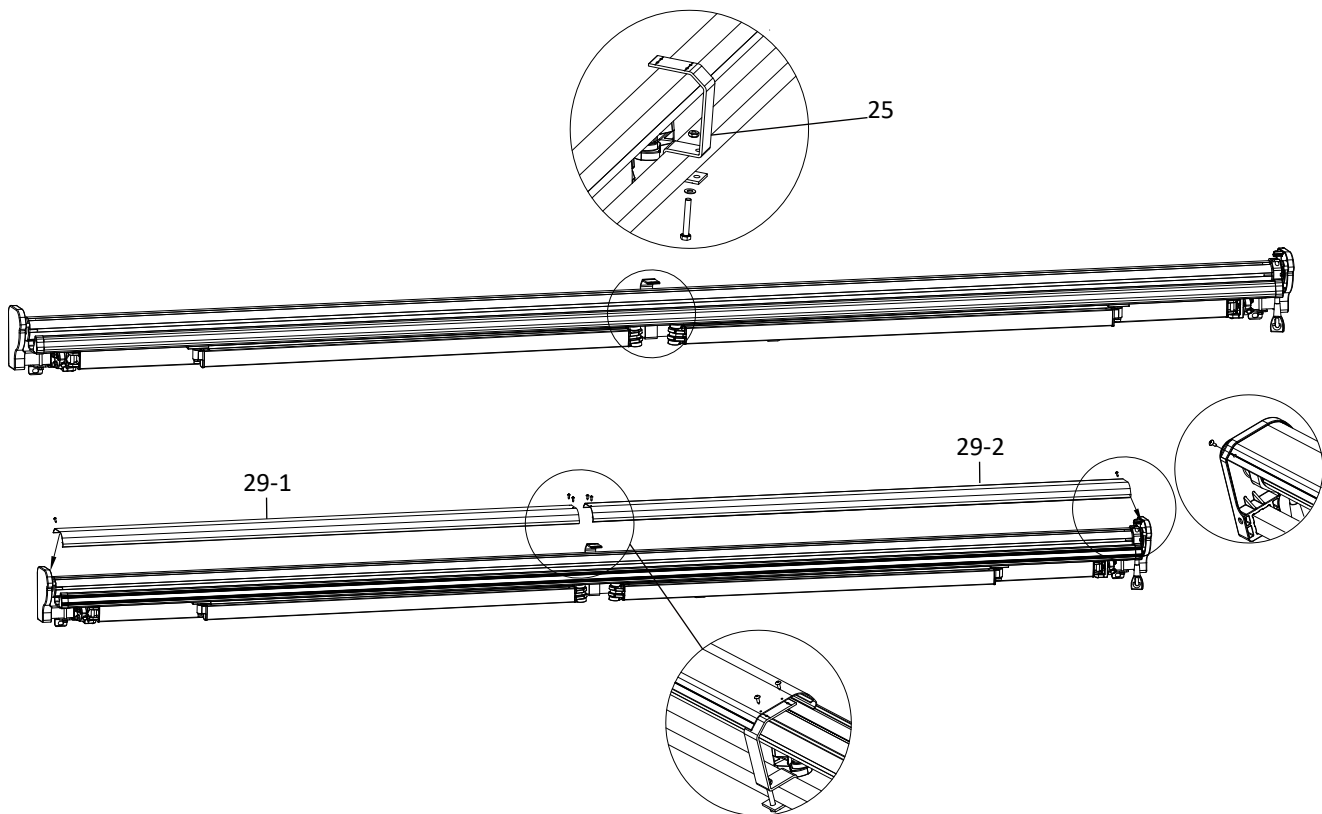
Step 11: Right roller support assembly:

Insert the shaft of roller into roll tube plug, meanwhile insert the torsion bar into the right roller supports with hitting. Then tighten the right hexagon bolt by 5mm Hexagon wrench. As shown in the figure below:



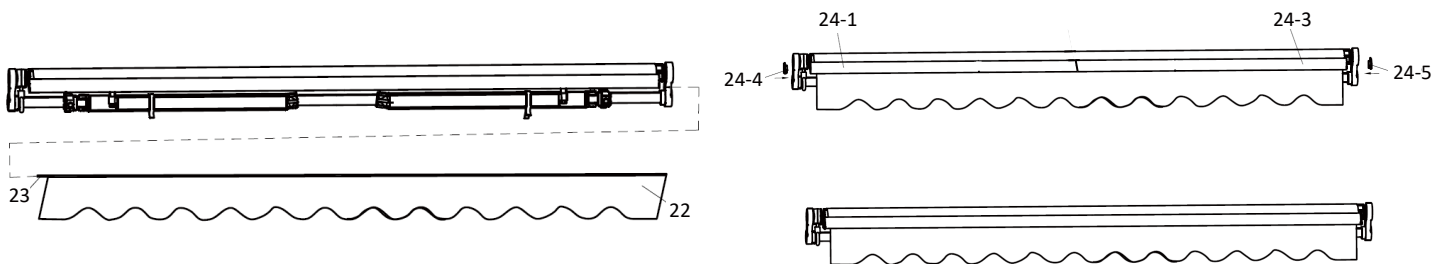
If the part of front bar is a little deformed, please adjust it with tools by yourself.

Step 12: Assemble middle bracket and cover



Step 13: Assemble to make a whole awning

Make the valance through groove of front bar, pay attention to the direction and make sure the left and right sides on average, then hitting the cover of front bar into end of front bar. As shown in the figure below:

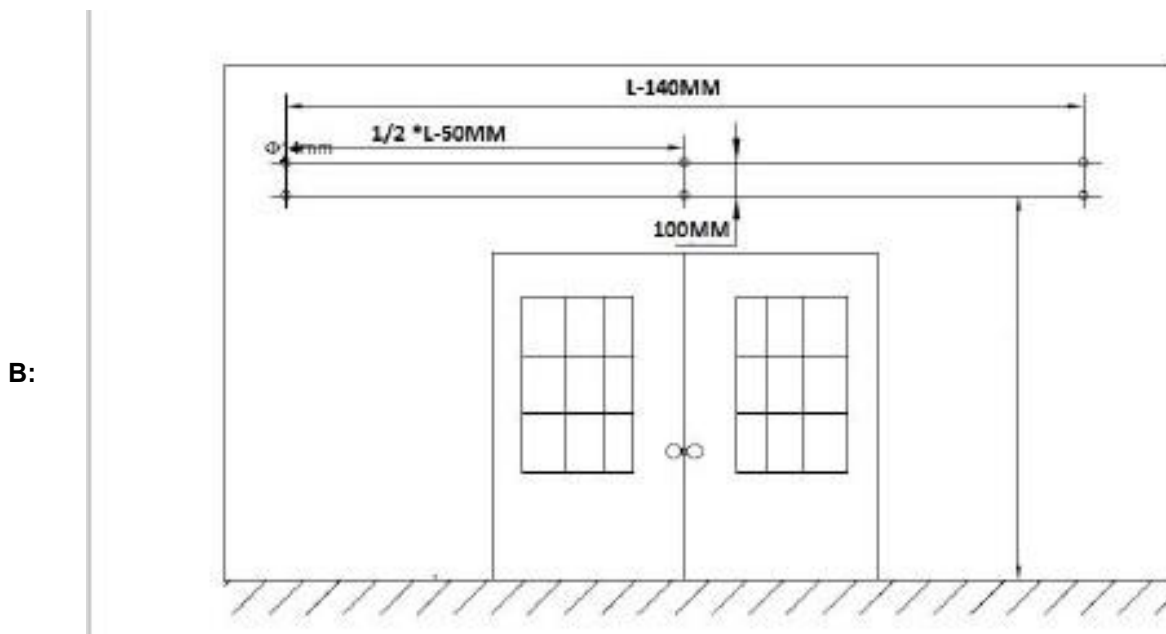
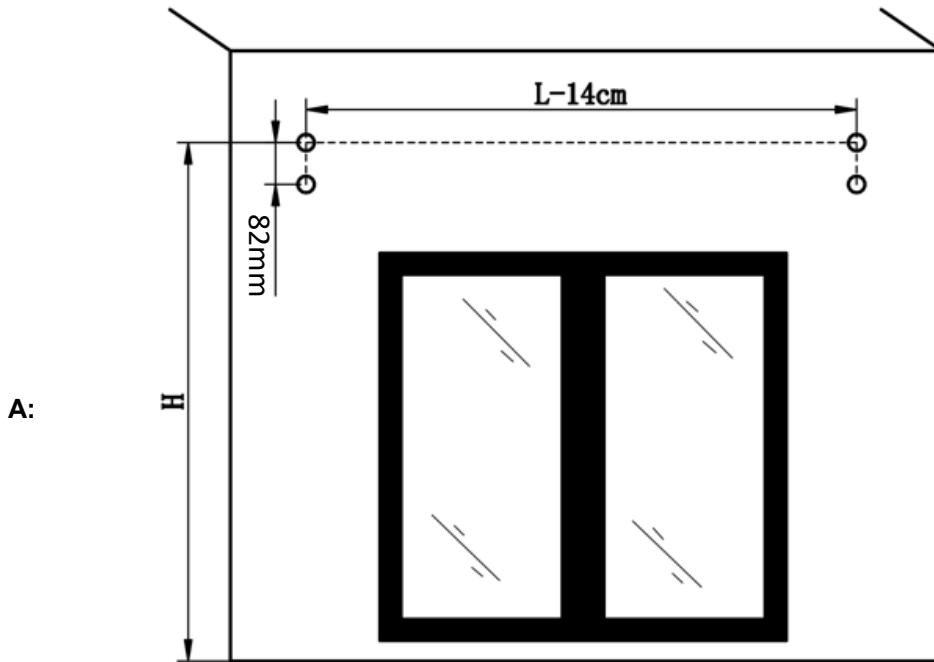


Installation procedure:

Step 1: Draw lines on the wall

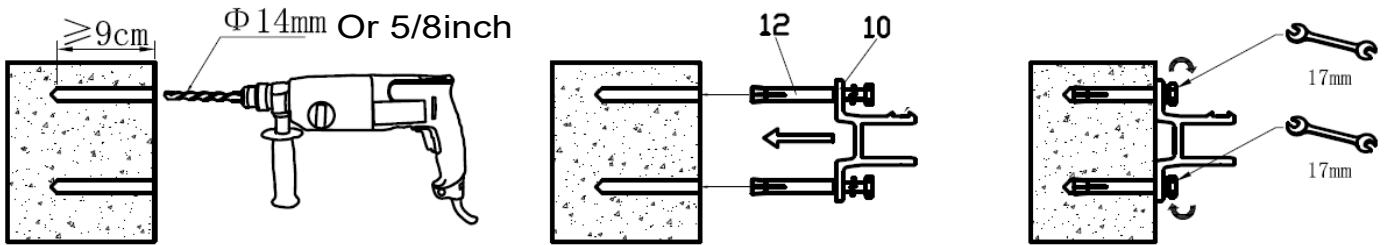
Choose the position, then draw up the position of bolt hole by pencil as blow picture, please make sure hole the of each group on the same horizontally or vertically. **Attention: figure in "L" is product's length , the blow picture is mean the distance for brackets holes is $L-14\text{cm}$ (For example: the product actual length of 2.95 m, the distance $=2950\text{mm}-140\text{mm}=2810\text{mm}$); longitudinal distance for holes is 10 cm.**

Figure A for 2.95m, 3.45m; Figure B for 3.95m



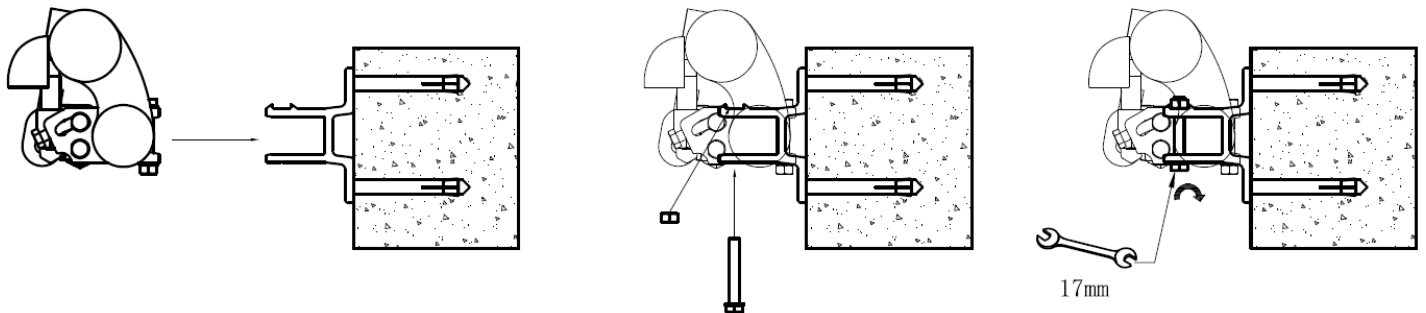
Step 2. Installing the brackets

Drill the hole according to the line which was draw up in step 1 by 14mm(or 5/8 inch) wall drill, please pay attention to the deep of hole that should not be less than 9cm. Making the expansion bolt through the bracket(keep the barbed side up), hitting the expansion bolt into the hole with tighten by wrench. As shown in the figure below:



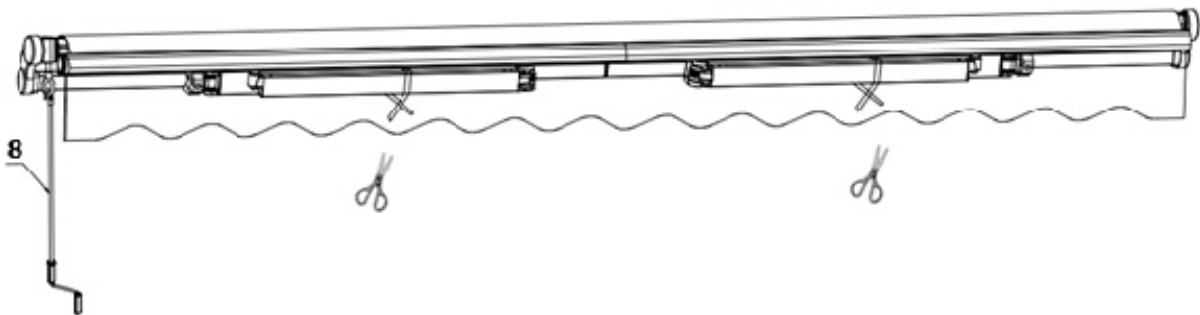
Step 3: Installing the awning:

Install the awning into the brackets, and fasten the bolts of the brackets. As shown in the figure below:



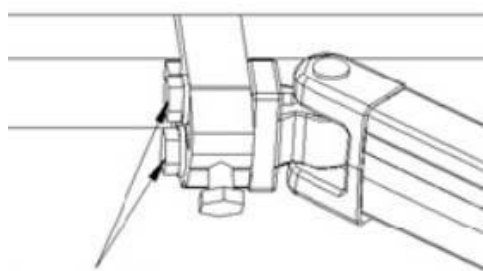
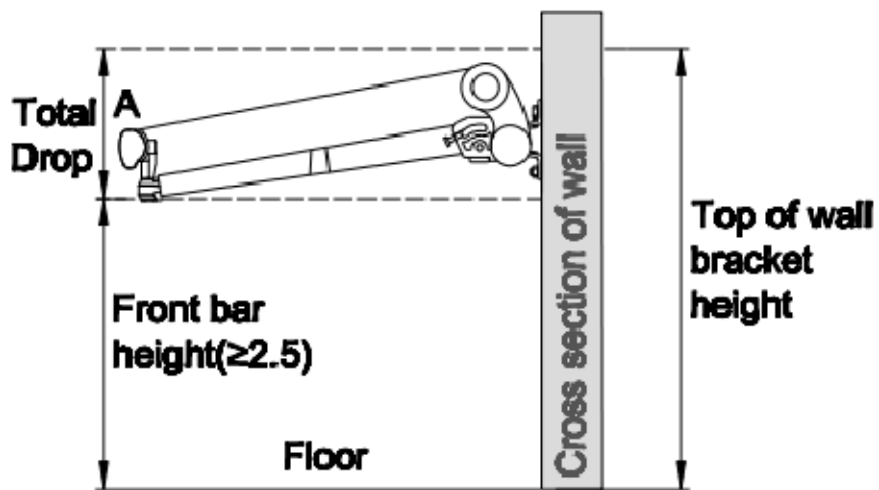
Step 4: Open the arms

After locking the awning, please close the awning by hand crank, then cut the strings which raping the arms. **Attention, the strings can't be cut before !!**

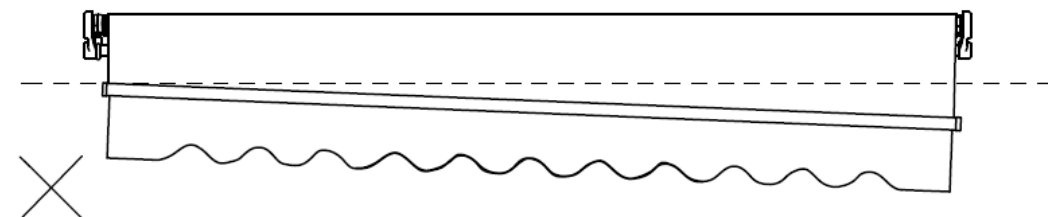
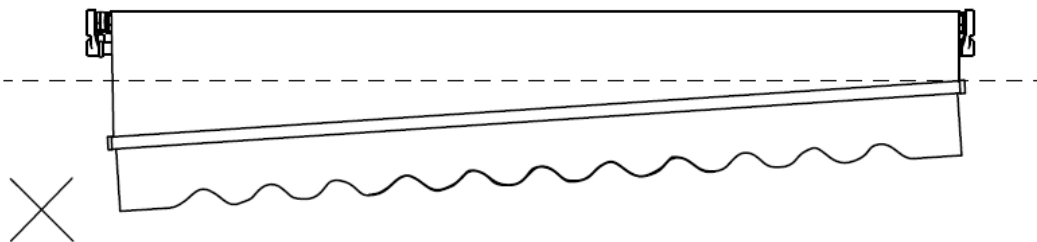
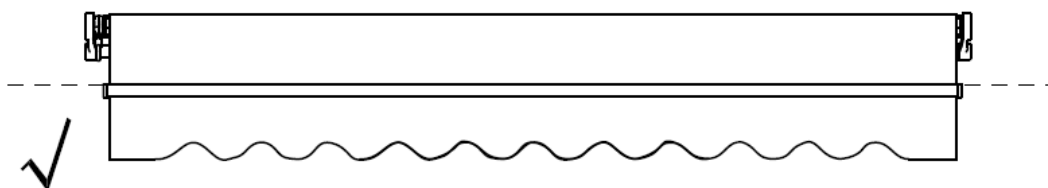
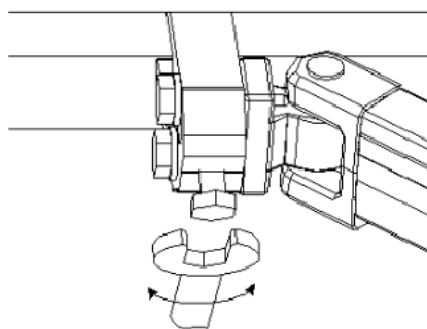


Step 5: Adjust the front bar

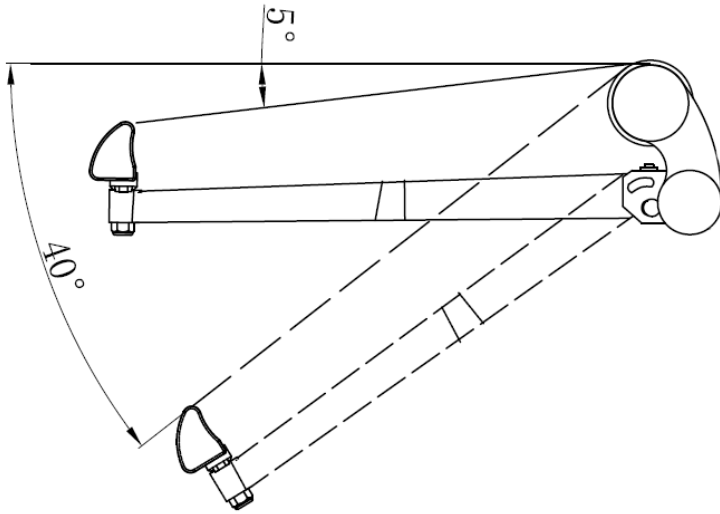
Open the awning totally, and check whether it is horizontal and adjust the height of the front bar you need. Please noted the height between floor and front bar should be more than 2.5m. As shown in the figure:



loose the bolts

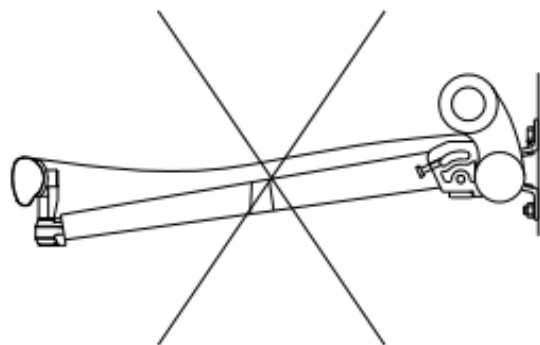
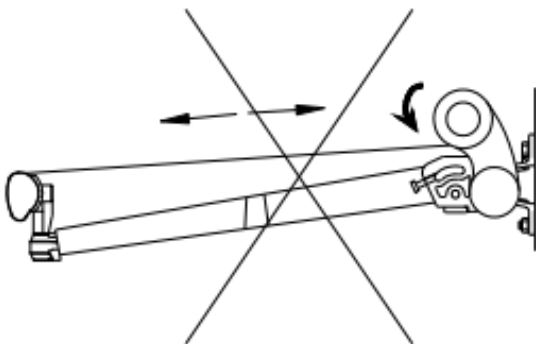
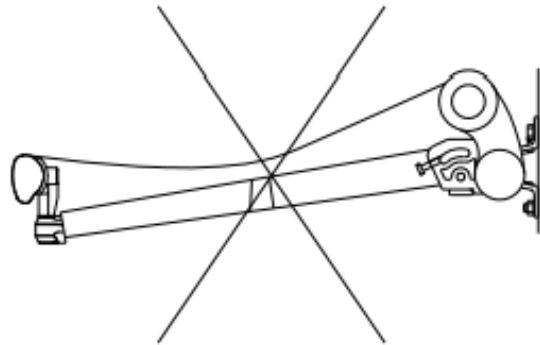
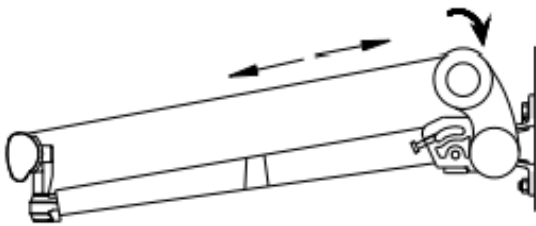


Note: The awning is already delivered with an optimally adjusted tilt angle. However, users can adjust the screen angle within a range of 5° to 40° As shown in the figure:



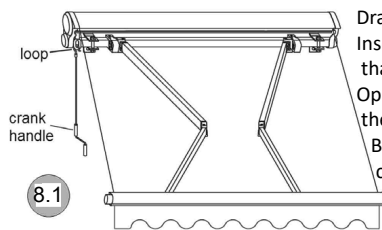
Step 6: The right way of the awning using

The awning can be operated normally when finish adjusting the horizontal of the front bar. Please use the awning in right way. As shown in the figure below:

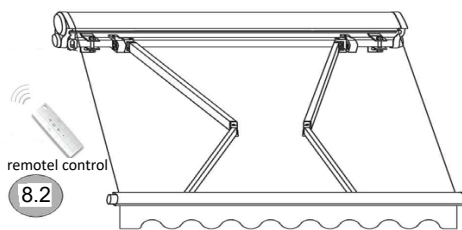


Extend and retract the awning

The awning can be extended and retracted by a crank handle included in delivery or remote control.



Drawing 8. 1:
Insert the handle in the loop that is fixed at the awning. Open the awning by turning the crank handle clockwise. By turning it counter-clockwise you can retract the awning.

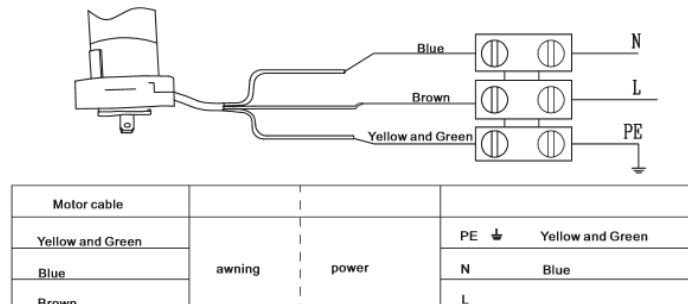


Drawing 8. 2:

Press the extension button "EXT" for the awning extension. The role moves up and the awning will be extended.
Press the retract button "RET" to close the awning. The role moves down and the awning will be retracted.
Press the stop button "STOP" to stop the extension/ retraction of the awning.

Electrical Connection Guide

This awning required hard wire connection to mains power, please ensure you follow the diagram below to connect.



Attention: Please ensure a qualified person with electrical proficiency does the installation to ensure correct operation and be safe.

Engine setting(off/on setting)

Factory default setting is best for the engine .Larger settings before its use should therefore not be necessary.

In the following cases, however, the engine should be a bit readjusted if:

1 The awning doesn't close completely.

2 The cover is loose.

3 The engine is not running yet, although the awning is fully closed.

- Change the maximum distance of the awning, by using the enclosed tool. Use the motor adjustment tool to adjust the motor ,
- Use the front motor adjustment screw to adjust the maximum distance (see Figure M).
- Turn the adjustment screw with the tool in counterclockwise direction "+" to increase the maximum distance.
- Turn the adjustment screw with the tool 20 in a clockwise direction "-" to reduce the maximum distance.
- Use the rear adjustment screw to adjust the minimum distance(see Figure N).
- Turn the adjustment screw with the tool in counter-clockwise direction "+" in order to increase the minimum distance.
- Turn the adjustment screw with the tool in clockwise direction "-" to reduce the minimum distance.

NOTE: If the motor does not start on after repeated on setting, please wait 30 minutes and start it again afterwards.

NOTE: Over loading the motor is not good. Doing so may shorten its lifespan.

Handling of the remote control

Note: There are legal limitations for the transmission range of radio waves. The maximum range is also limited by physical obstacles.

•Before installing, check whether the remote device and the awning are working correctly ,Before you install the hooks . To allow reaching almost every vertical area below.

Make sure that the mount is in a place to install the corresponding prescribed protection (IP 20) of the remote .

•Do not mount on metal or magnetic objects to avoid interference.

Battery/Use

NOTE: When you insert the battery make sure that the contacts are not bent.

- Open the battery compartment with the spanner in the battery compartment lid in the direction of the battery compartment and press the battery compartment cover , then the battery compartment slides.
- Put the battery in accordance with polarity and labeling in the battery
- Close the battery compartment , by clicking the two extensions of the battery compartment lid in the two cutouts on the battery compartment .
- Then press the skewer of the battery compartment lid into the hole at the battery compartment . The battery compartment cover snaps in with a click.
- If the remote control could not function, then check whether the batteries are inserted correctly and put them again if necessary.

Maintenance

Regular maintenance will not only help to keep a long durability but it is also important for your own and the safety of other people.

- Examine regularly whether wall brackets are tight, if not, fasten them.
- Examine the gear box once half a year. If you find any damages, stop using until gear box has been repaired or renewed.
- Examine the bolts and nuts once half a year, fasten them if loose or lax.
- Stop using the awning immediately if it is has been damaged or it is not tighten properly.

