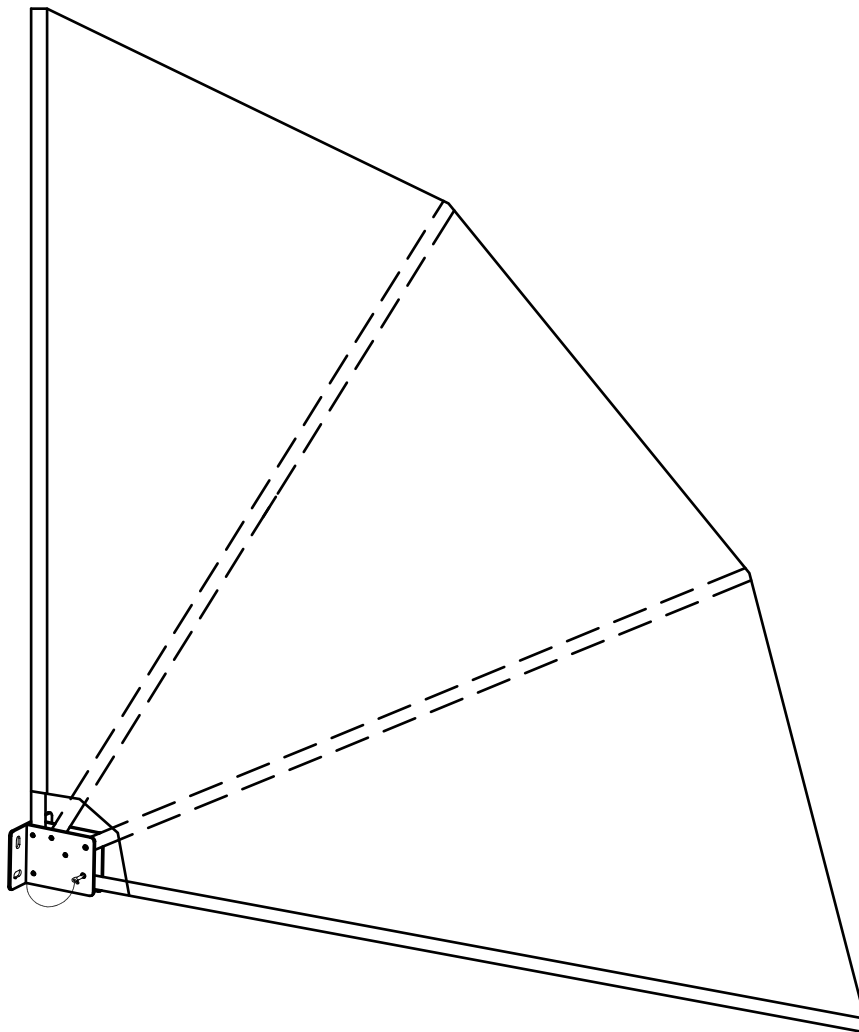




INboc016_GL

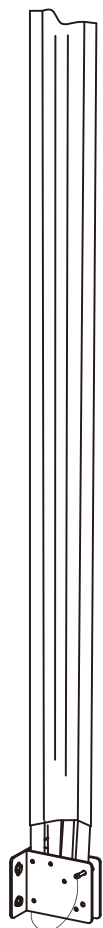
840-220_840-220V01



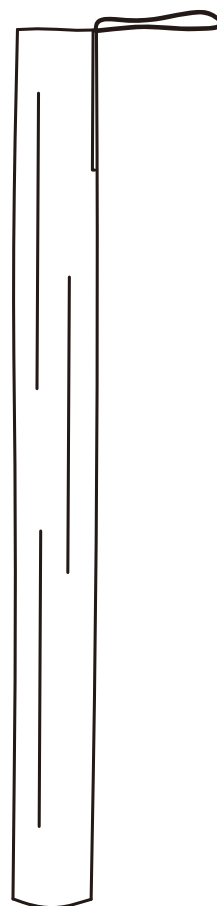
READ AND SAVE THIS INSTRUCTION FOR FUTURE USE

ASSEMBLY INSTRUCTION

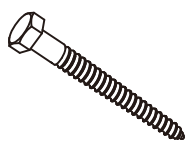
A x 1



B x 1



C x 4



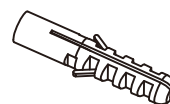
(M8x75)

D x 4



($\phi 8$)

E x 4

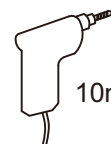
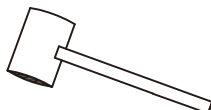


($\phi 10 \times 50$)

You will need (not supplied) :

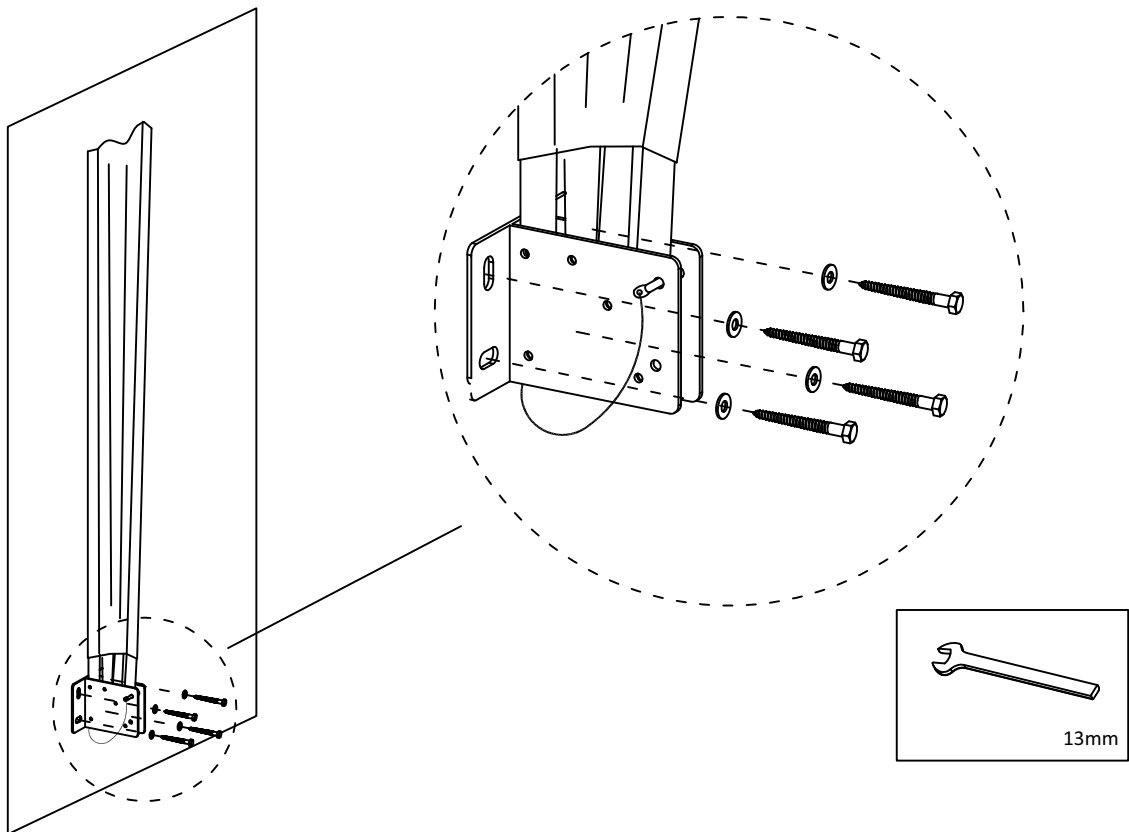
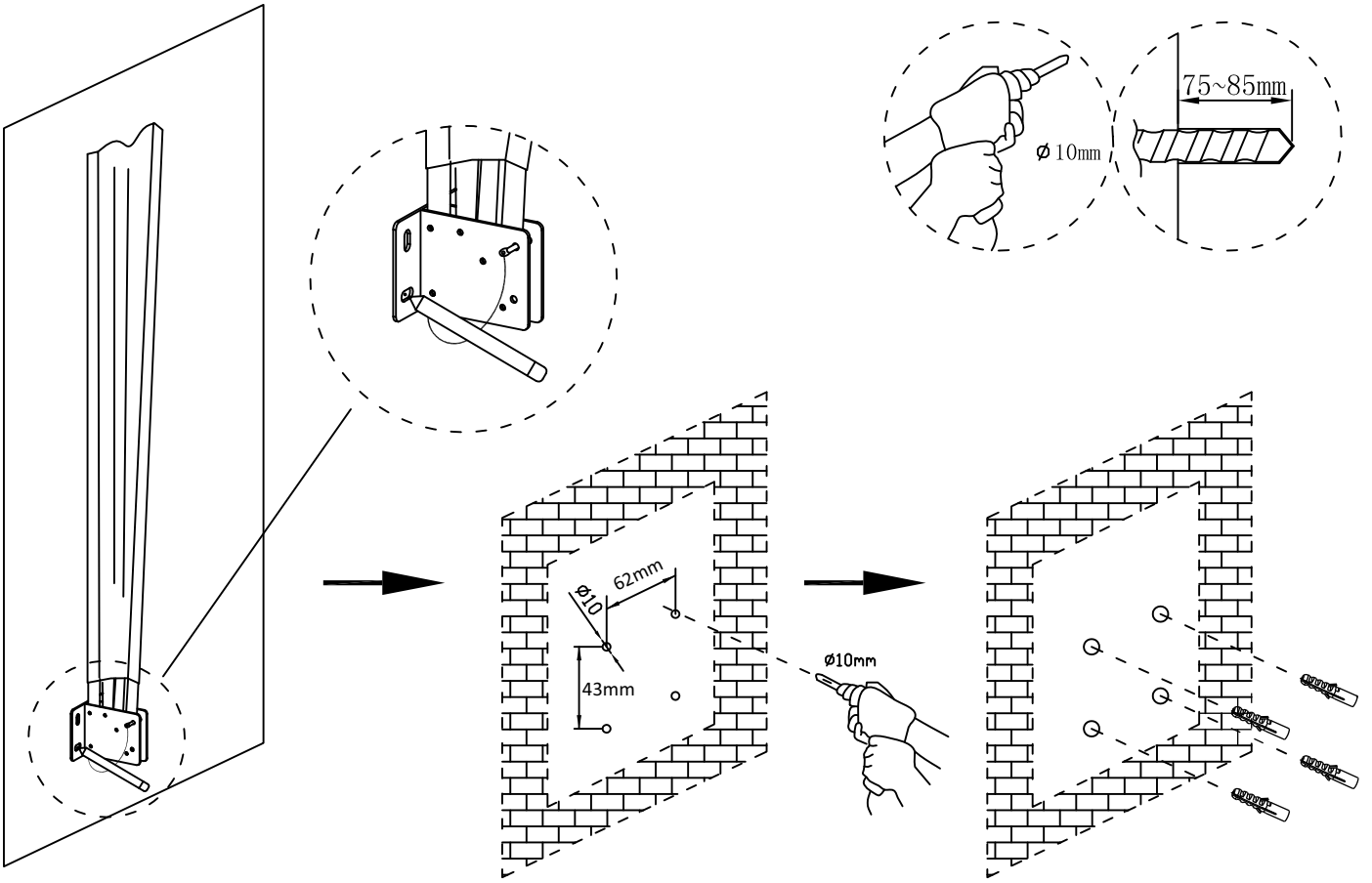


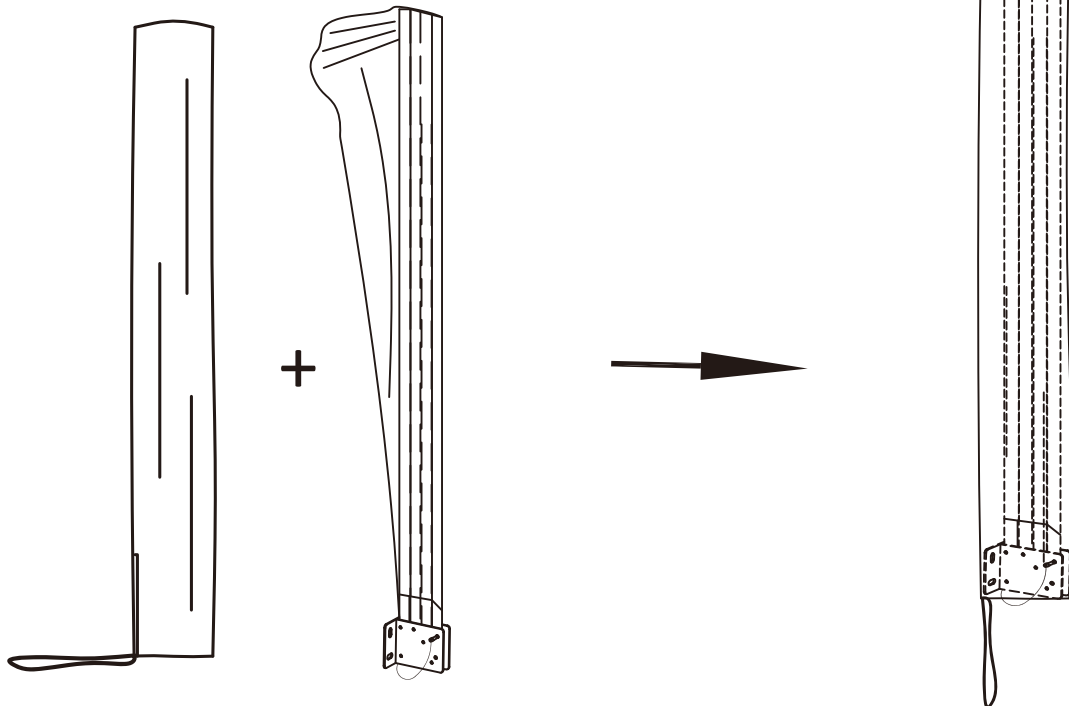
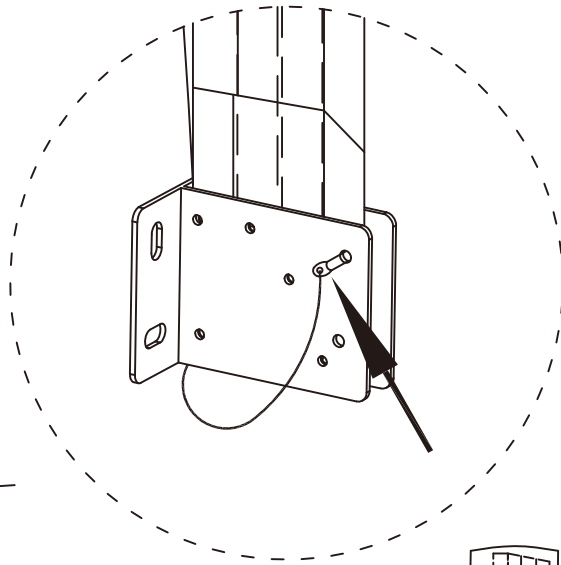
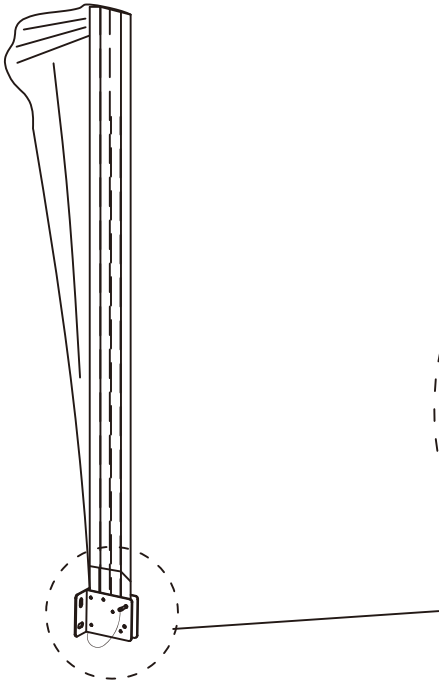
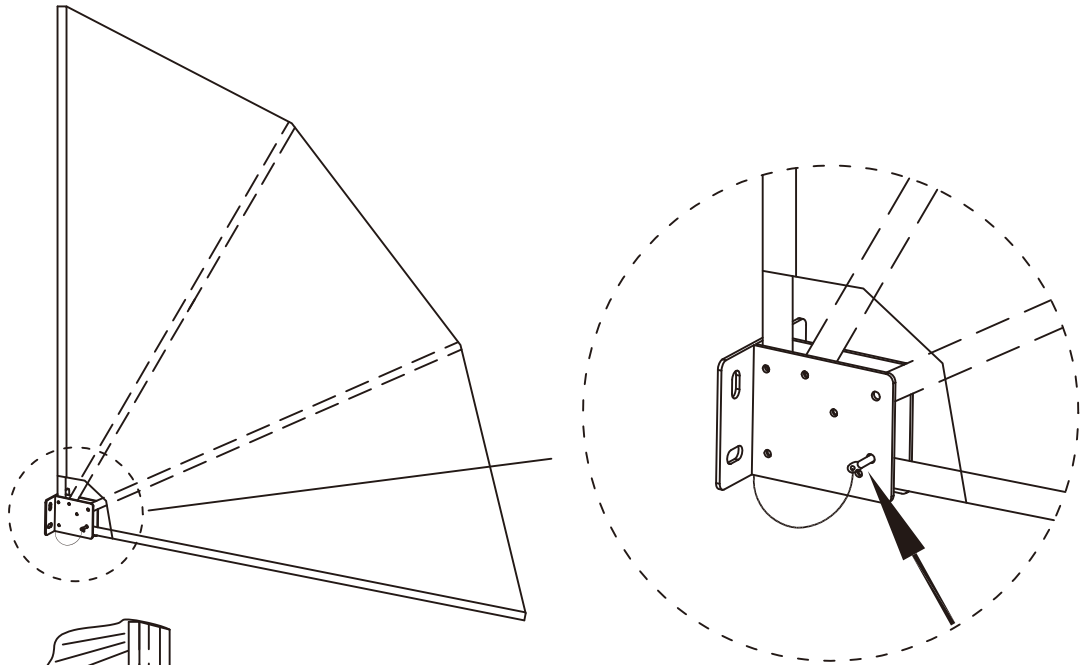
13mm



10mm







US



001-877-644-9366
customerservice@aosom.com

CA



001-855-537-6088
customerservice@aosom.ca

UK



0044-800-240-4004
enquiries@mhstar.co.uk

DE



0049-(0)40-88307530
service@aosom.de

FR



0033-1-84166106
contact@aosom.fr

ES



0034-931294512
atencioncliente@aosom.es

IT



0039-0249471447
clienti@aosom.it