



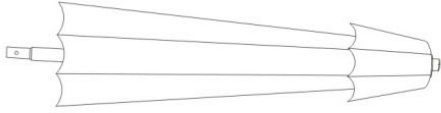


INbpa005_UK

840-125



READ AND SAVE THIS INSTRUCTION FOR FUTURE USE

ASSEMBLY INSTRUCTION

PART	DESCRIPTION	PICTURE	QTY(PC)
A	Umbrella Frame with Canopy		1
B	Bottom Pole		1
C	Solar Panel		1

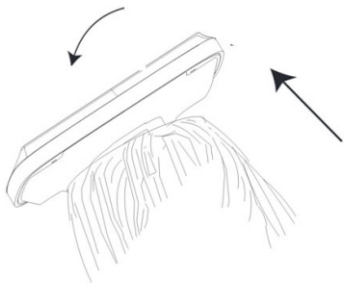


Fig. 1

Step 1: Insert the plug into the socket under the solar panel as shown in Fig. 1.

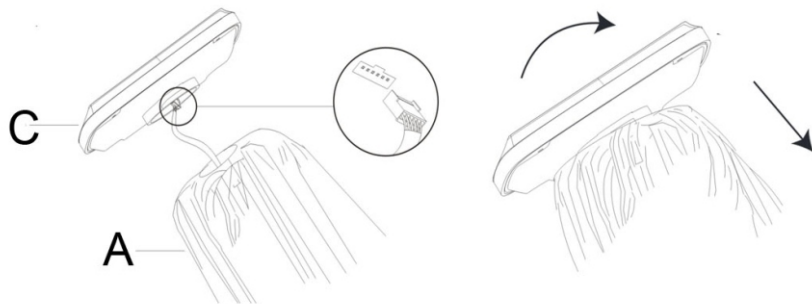


Fig. 2

Step 2: Put the solar panel on the top of umbrella and hide the plug and wire inside the groove at the top of umbrella. Then turn the solar panel clockwise. Do not over tighten. Please remove the plastic film on the solar panel.

***This protective plastic film is to prevent damage during shipment.**

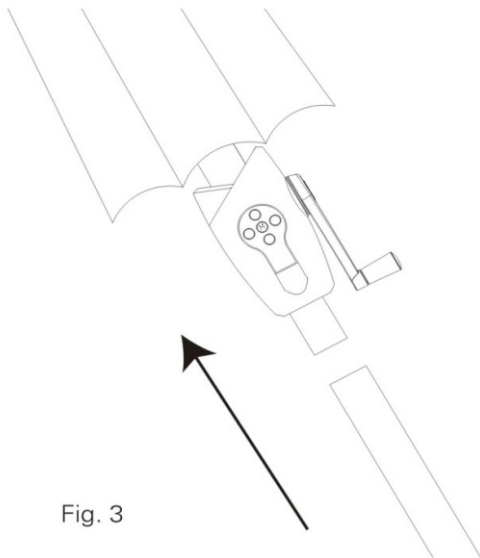


Fig. 3

Step 3: To assemble the two pole pieces together: Insert the bottom pole into the upper pole while pressing the snap button on the upper pole until the snap bottom locks into position as shown in Fig. 3.

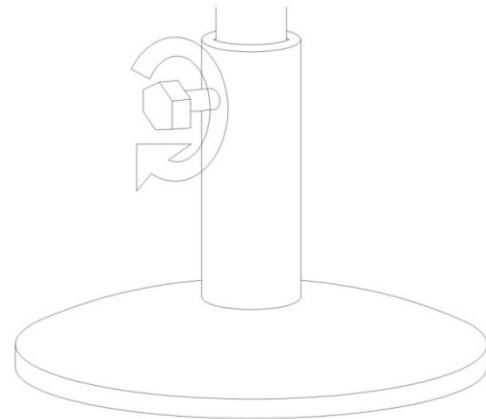


Fig. 4

Step 4: We recommend that you stand and secure the umbrella to an umbrella base (not included).

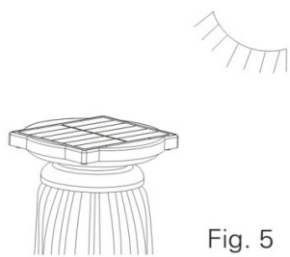


Fig. 5

Step 5: Put the solar umbrella in the sunlight to charge the batteries before the first use as shown in Fig. 5.

Make sure to charge the batteries for at least 8 hours before the first use. Otherwise it will shorten lifespan of the batteries and decrease performance.

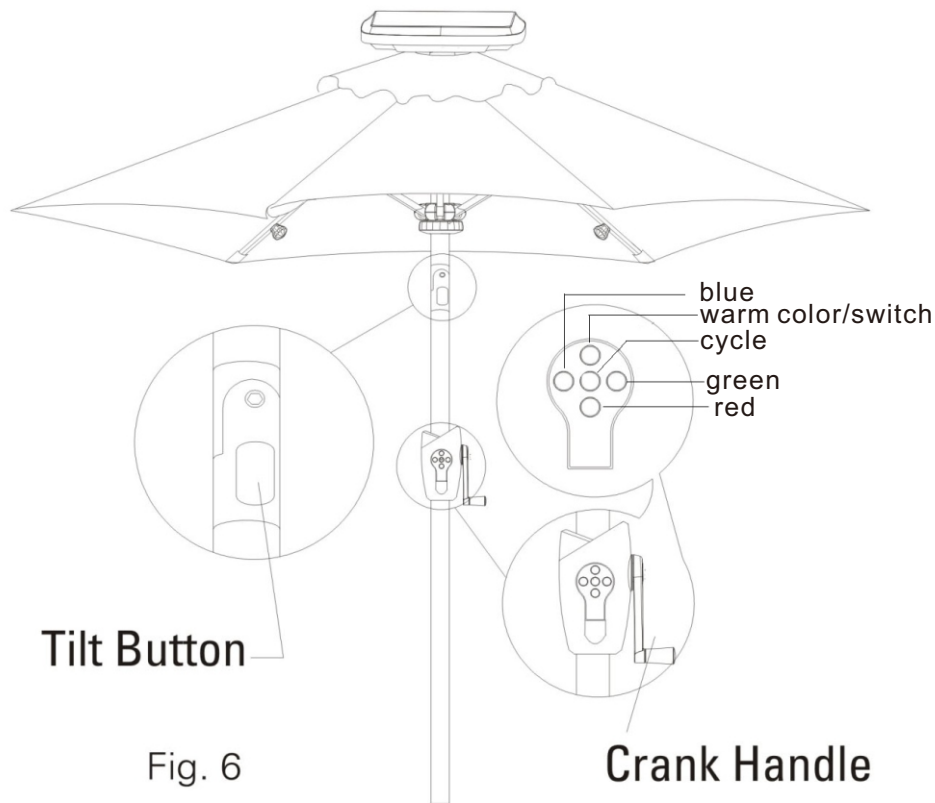


Fig. 6

Step 6: Turn the crank handle in the clockwise direction to open the umbrella canopy, in the opposite direction to close the canopy. To close the umbrella it must be in the upright position.

The Detailed Light Operating Procedure:

1. A long press on the upper white button for 5 seconds, turns on the power, the white is the default light color.
2. Press on the red button, the light will be red only.
3. Press on the green button, the light will be green only.
4. Press on the blue button, the light will be blue only.
5. Press on the middle yellow button with "M", the 4-color lights will change from one color to the next color.
6. Press on the upper white button, the white lights will be on.
7. The upper white button is the main switch, the power will be off when you long press it for 5 seconds no matter whatever color light is "on" when you press it.

US



001-877-644-9366
customerservice@aosom.com

CA



001-855-537-6088
customerservice@aosom.ca

UK



0044-800-240-4004
enquiries@mhstar.co.uk

DE



0049-(0)40-88307530
service@aosom.de

FR



0033-1-84166106
contact@aosom.fr

ES



0034-931294512
atencioncliente@aosom.es

IT



0039-0249471447
clienti@aosom.it