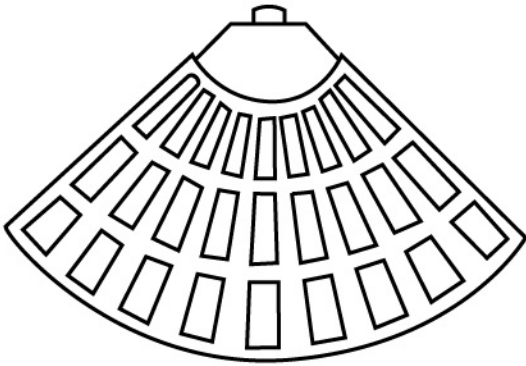


Thank you for purchasing this quality product.



84D-061


STEP 1



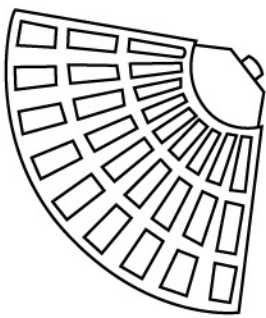
Twist the cap off.

NO TOOLS REQUIRED

PARTS LIST:

Description	Sketch	Quantity
PLASTIC BASE		4PCS

STEP 2



OR

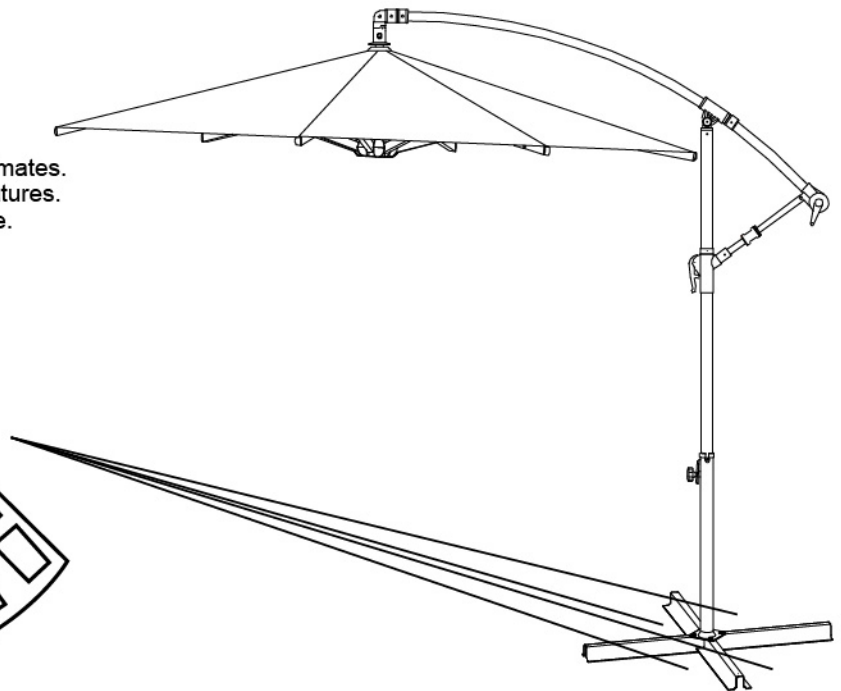
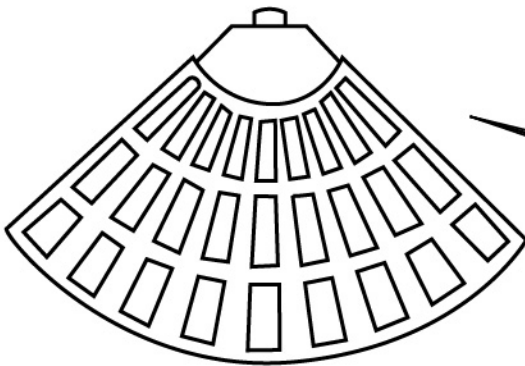


WATER

Fill the base with sand or water to increase the weight.

Warning: Only fill with water when used in warm climates. Do not fill with water if exposed to freezing temperatures. Formation and expansion of ice may crack the base.

STEP 3



Place the water or sand filled base snug into a corner of the umbrella stand as shown in the diagram.

Note: It is recommended to use 4 plastic bases to properly weigh the umbrella base to the ground.

MADE IN CHINA