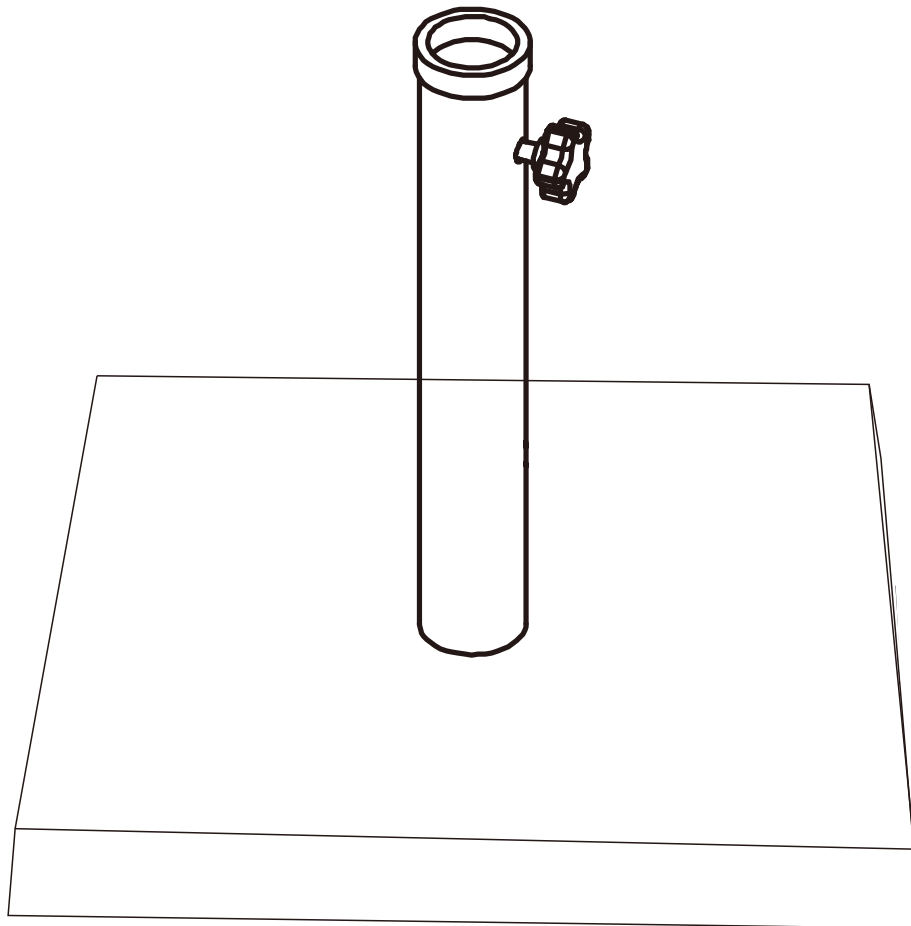




INbpb015V01\_GL

**84D-078**

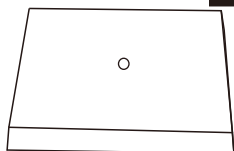


IMPORTANT, RETAIN FOR FUTURE REFERENCE: READ CAREFULLY

**ASSEMBLY & INSTRUCTION MANUAL**

PARTS

**A** x01



**B** x01

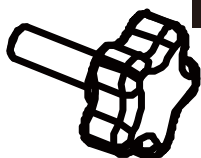


**C** x01

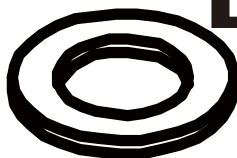


HARDWARE

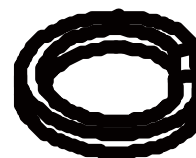
**D** x01



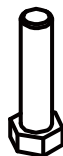
**E** x01



**F** x01



**G** x01



**H** x01

