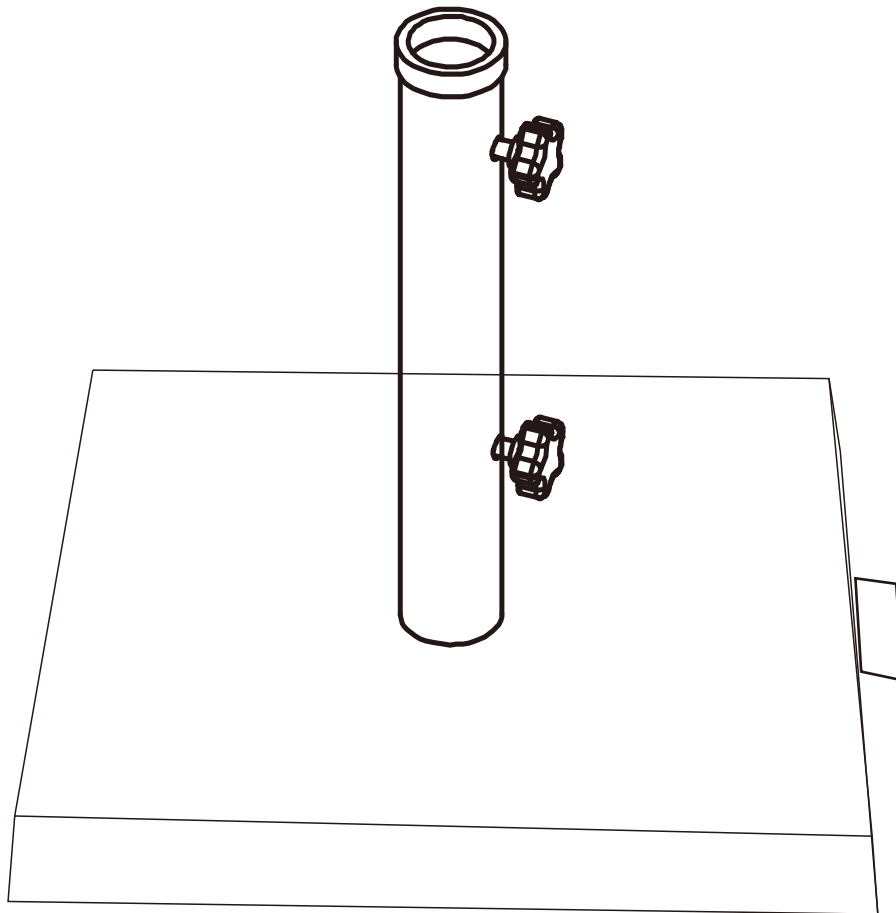




INbpb019V02_GL

840-117

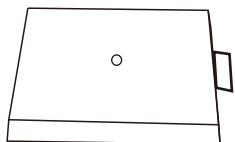


IMPORTANT, RETAIN FOR FUTURE REFERENCE: READ CAREFULLY

ASSEMBLY & INSTRUCTION MANUAL

PARTS

A x01



B x01

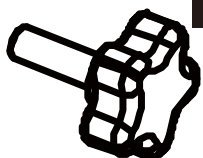


C x01

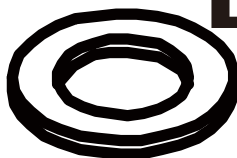


HARDWARE

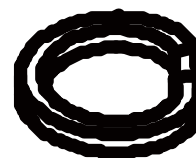
D x04



E x01



F x01



G x01



H x01



01

