



INbpc007V03\_GL

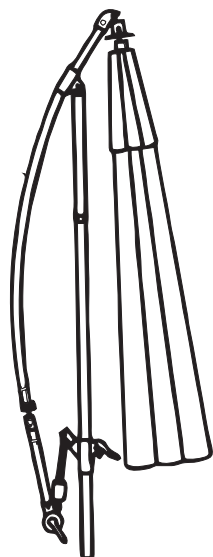
**84D-037**



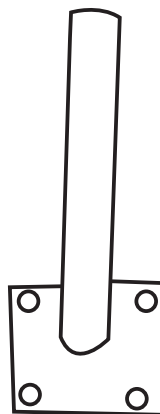
READ AND SAVE THIS INSTRUCTIONS FOR FUTURE USE

**ASSEMBLY & INSTRUCTION MANUAL**

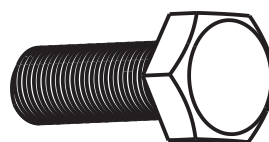
A x 1



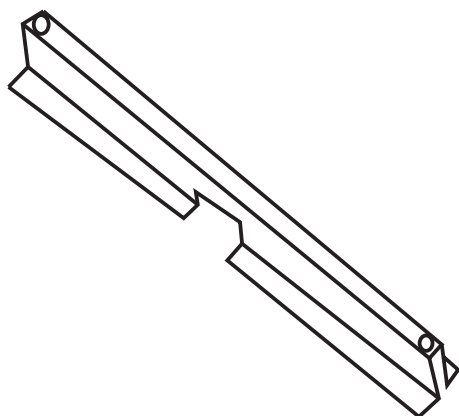
D x 1



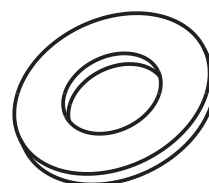
E x 4



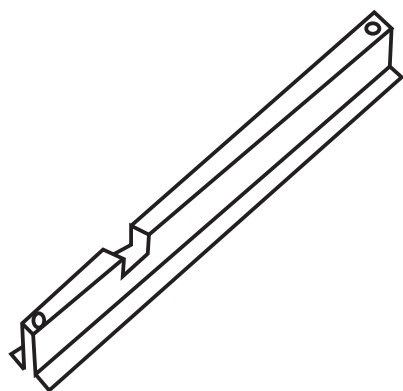
B x 1



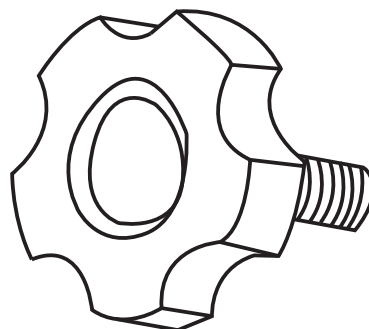
F x 4

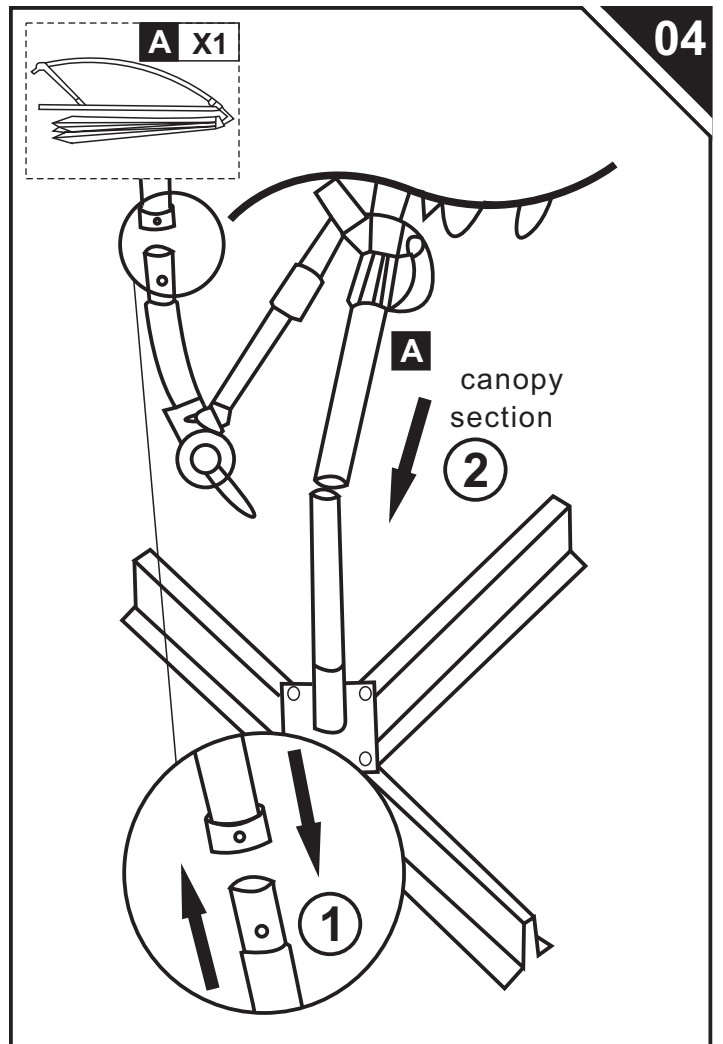
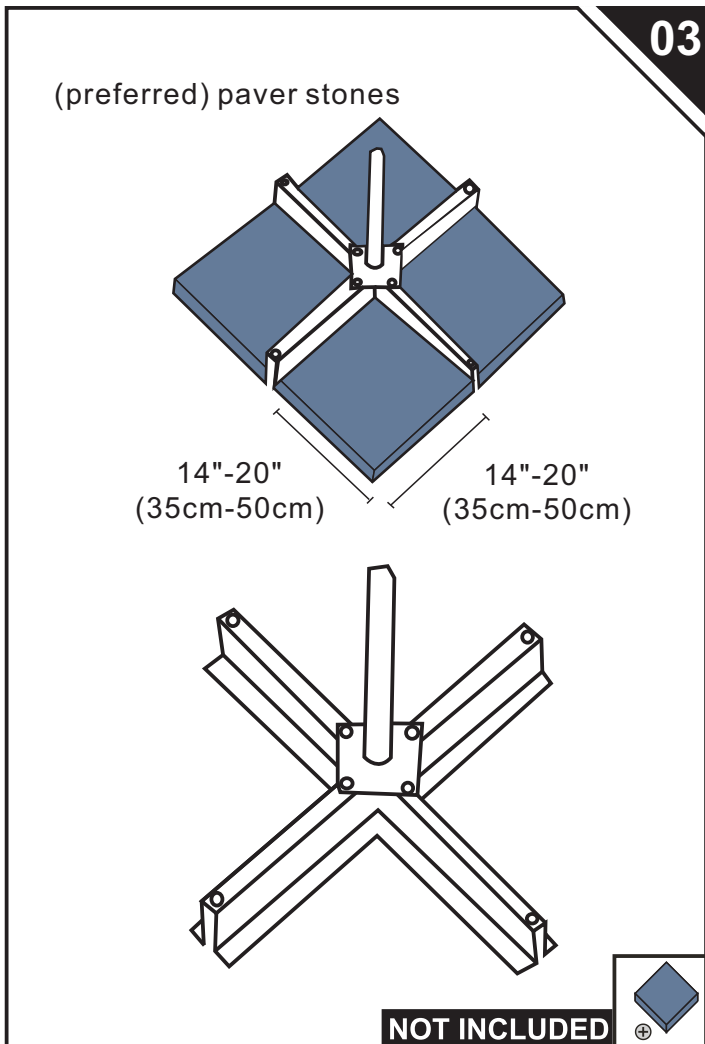
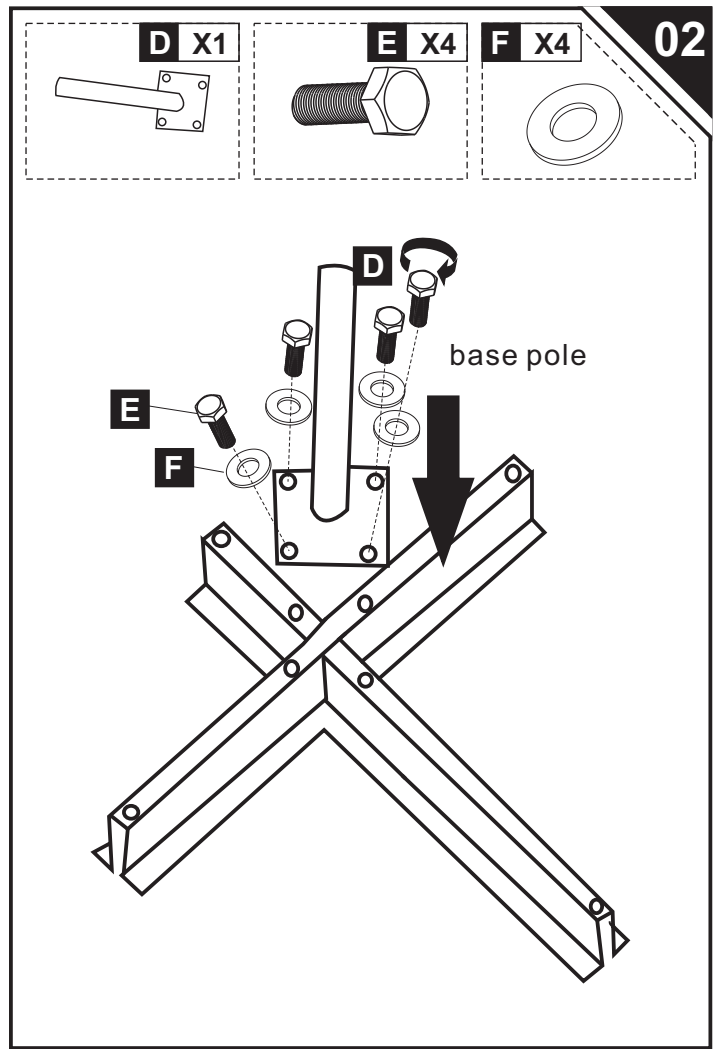
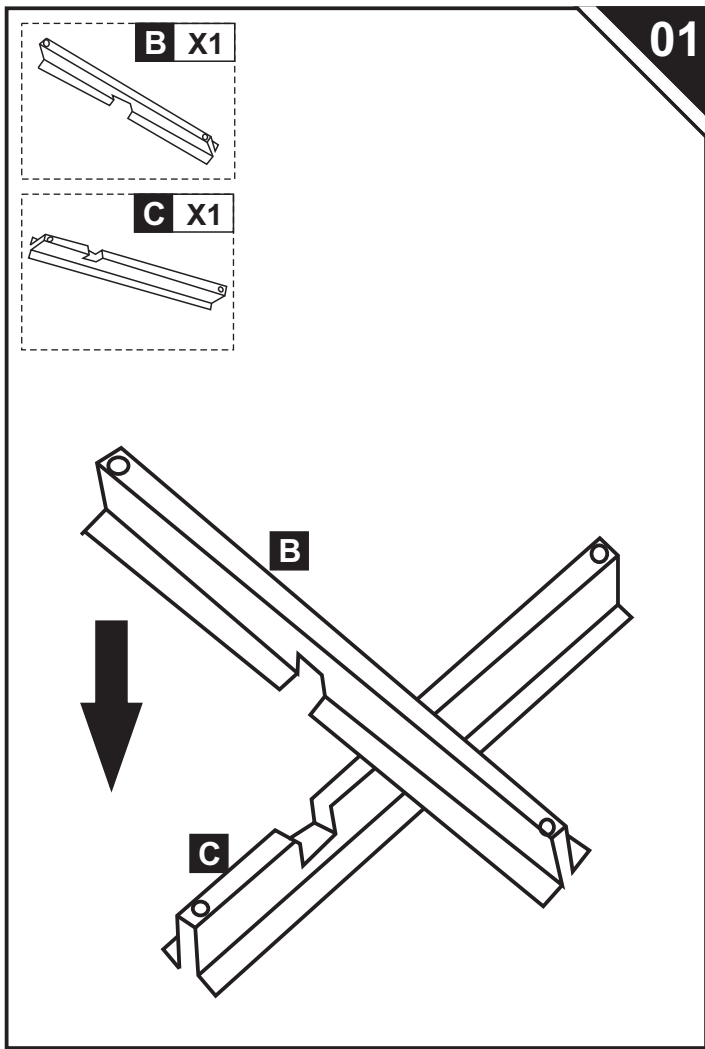


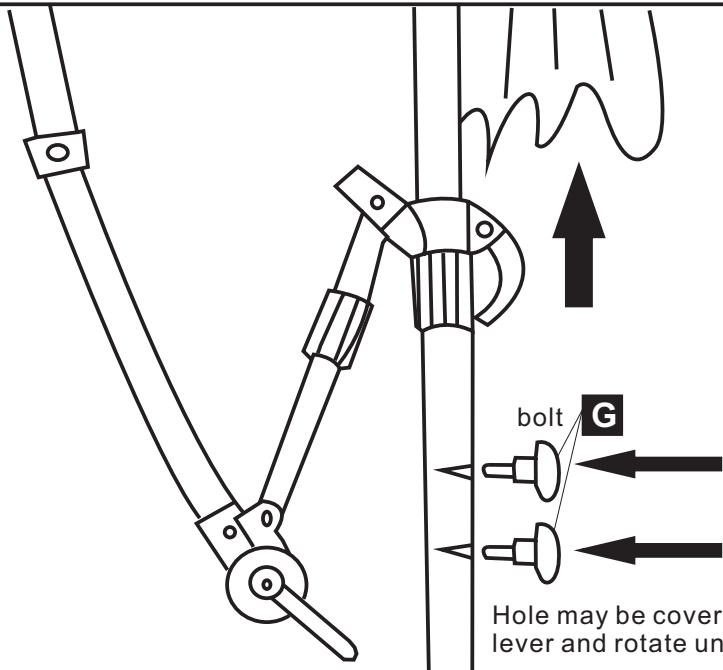
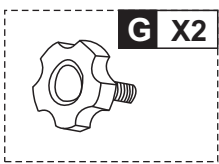
C x 1



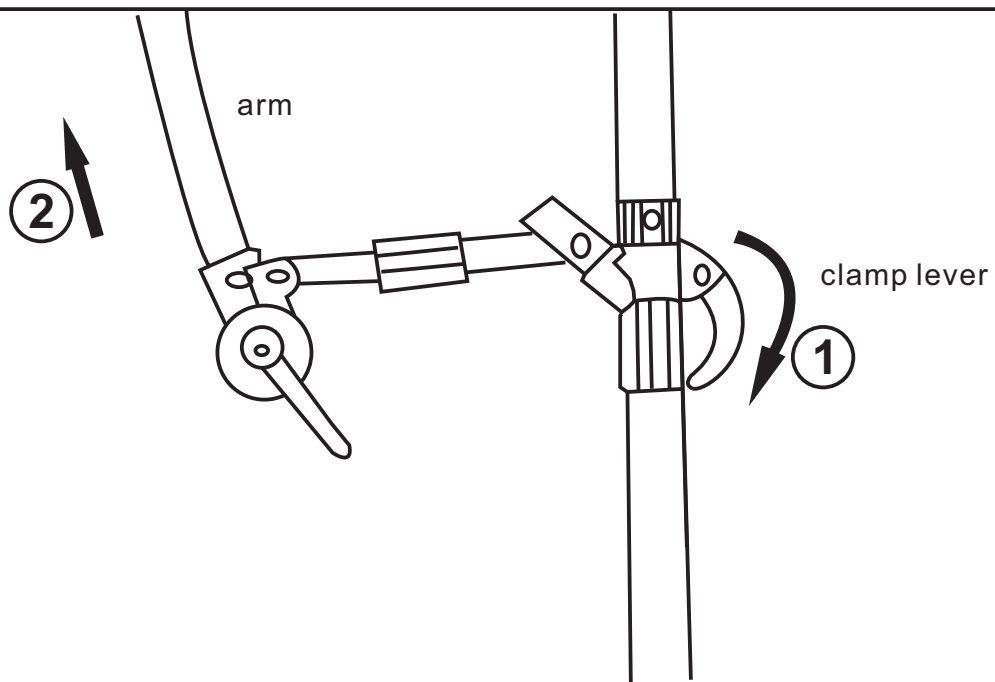
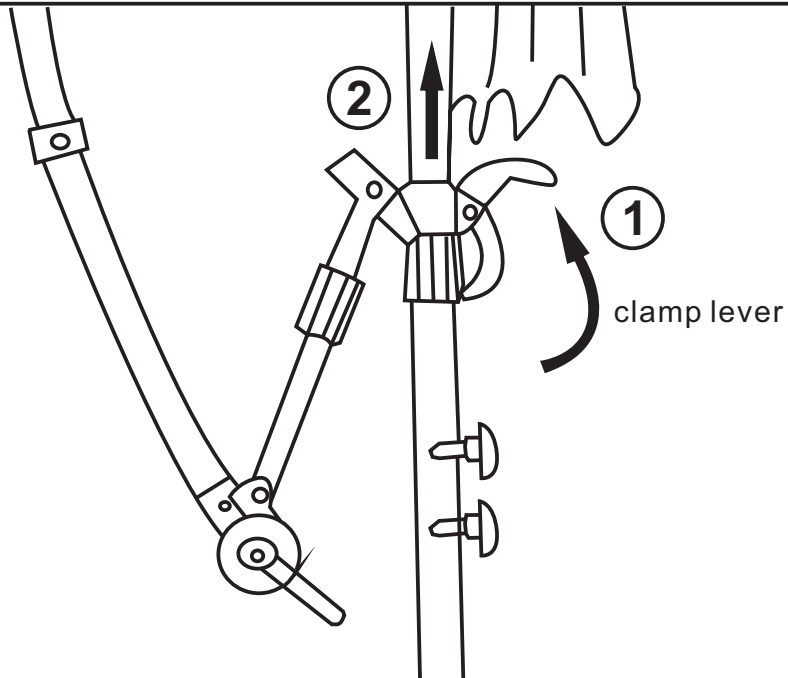
G x 2

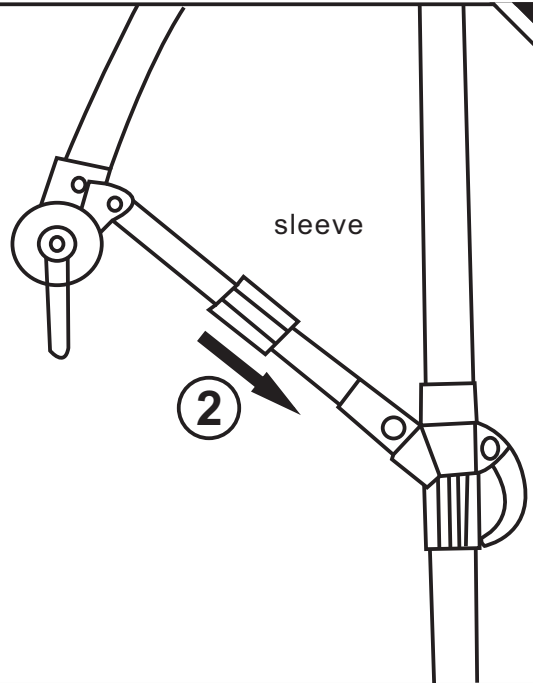
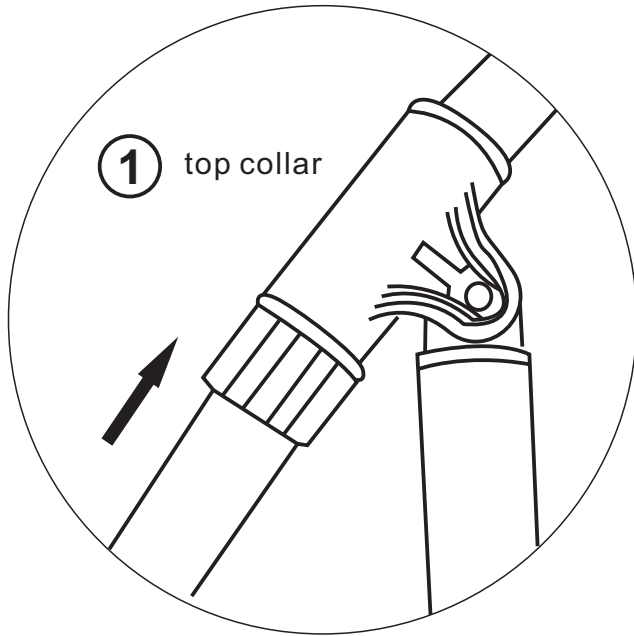






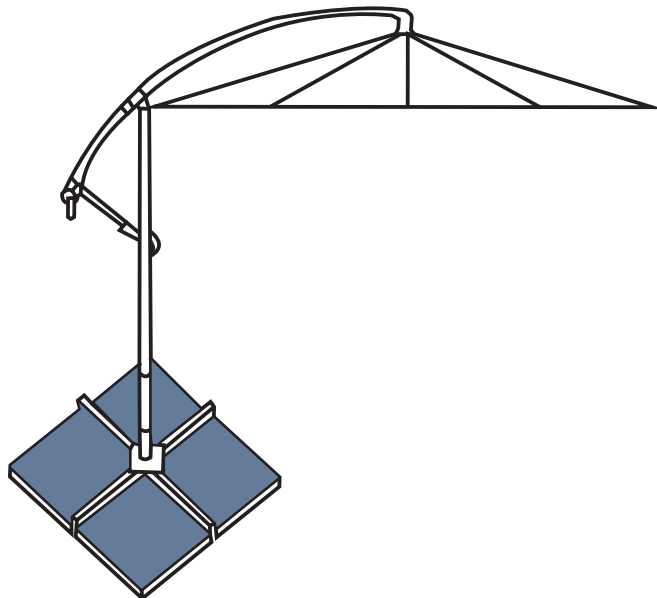
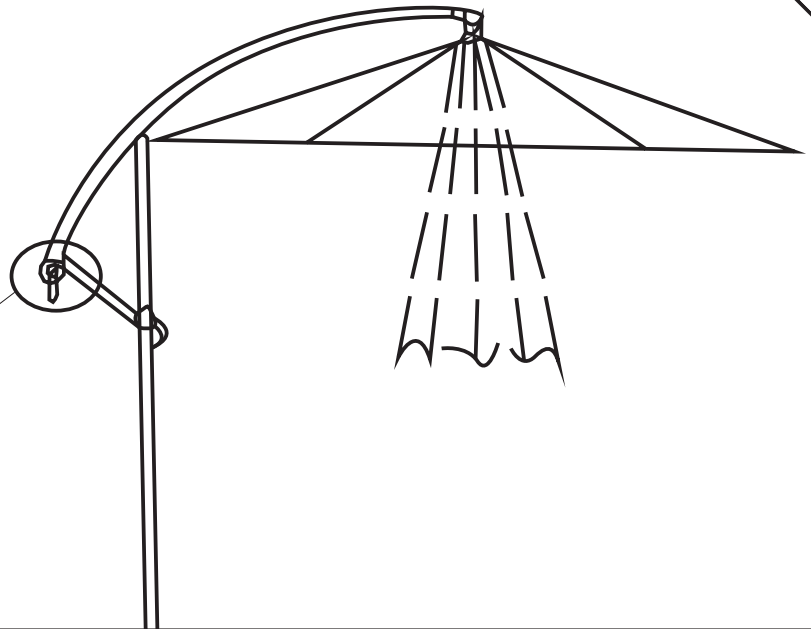
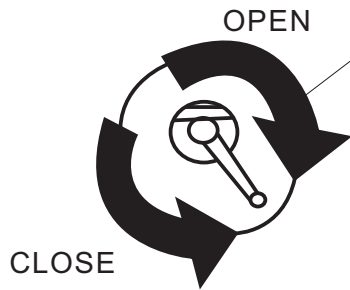
Hole may be covered, slide clamp lever and rotate until hole is visible.



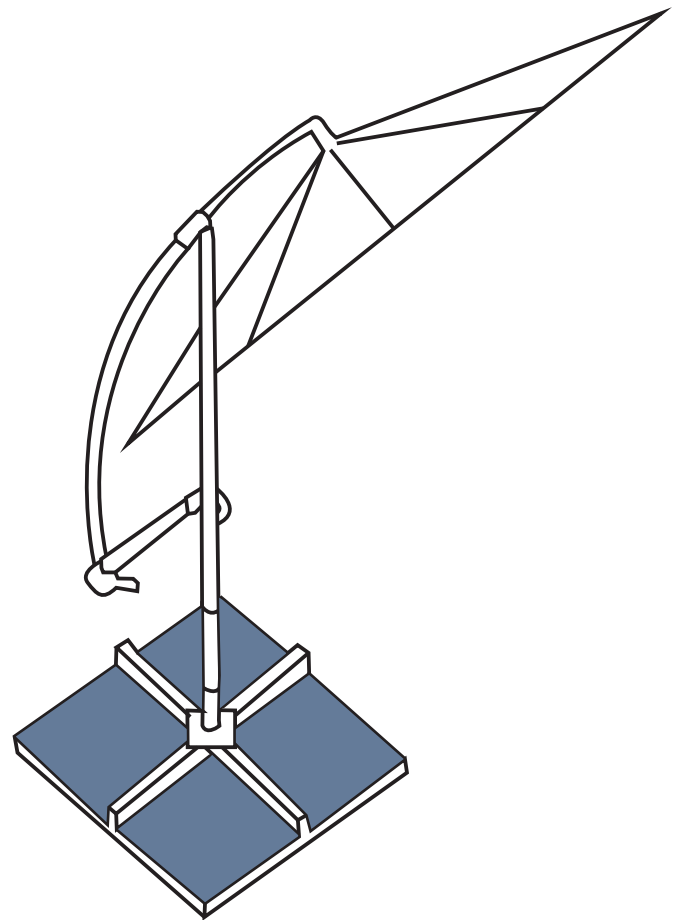
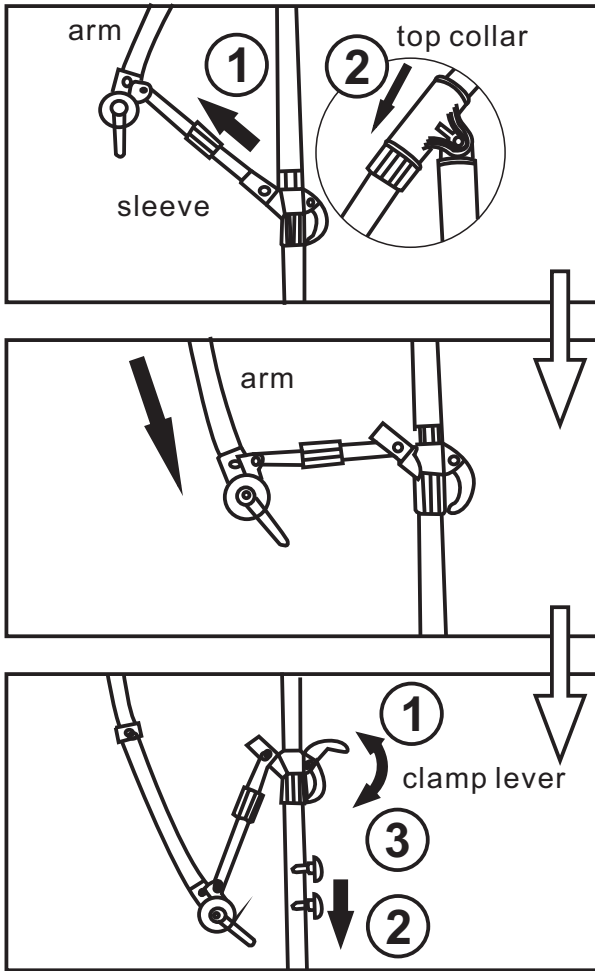


Open-clockwise

Close-counter clockwise



COMBINATIONS 1



COMBINATIONS 2

