



INbpc008V02\_GL

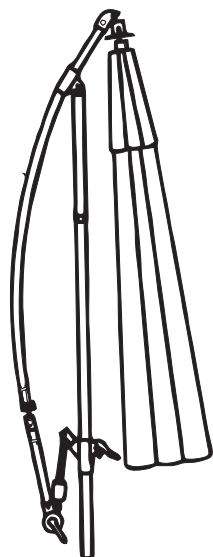
84D-096\_01-0217\_01-0218



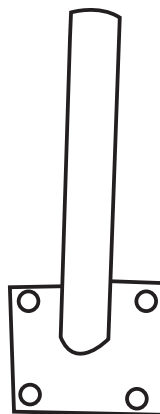
READ AND SAVE THIS INSTRUCTIONS FOR FUTURE USE

# ASSEMBLY & INSTRUCTION MANUAL

**A x 1**

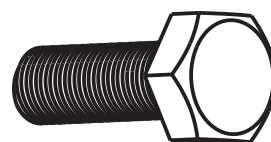
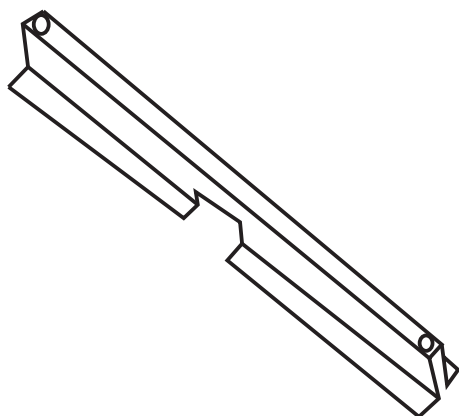


**D x 1**



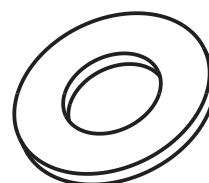
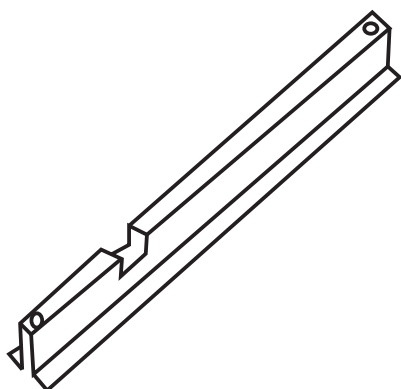
**E x 4**

**B x 1**

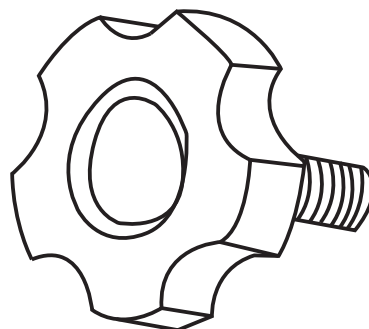


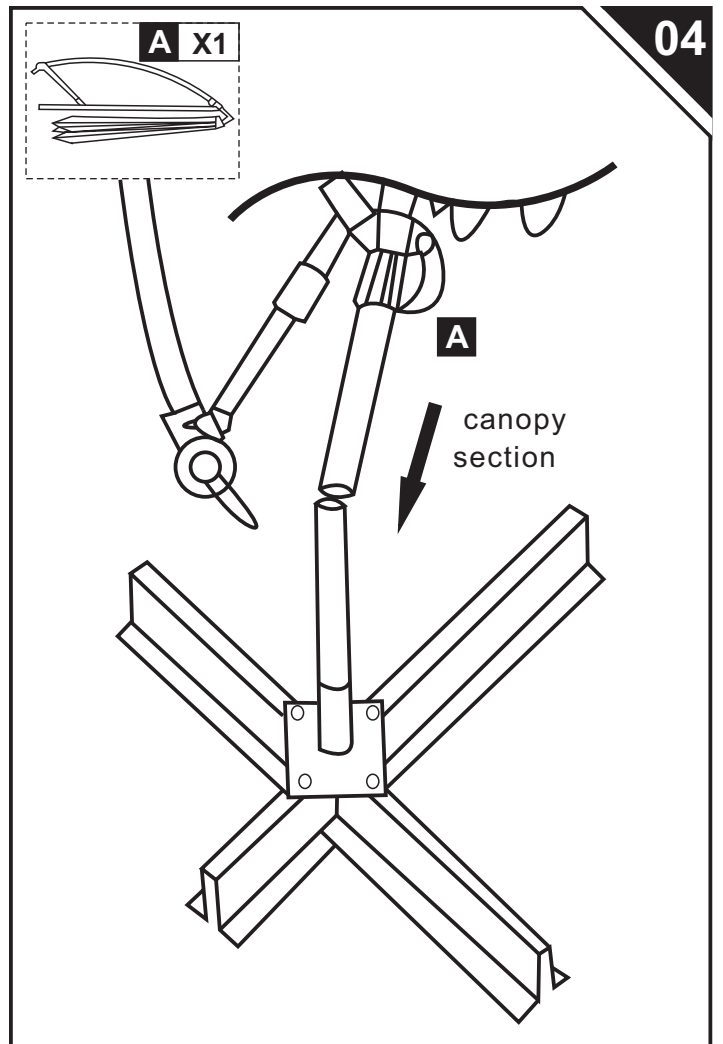
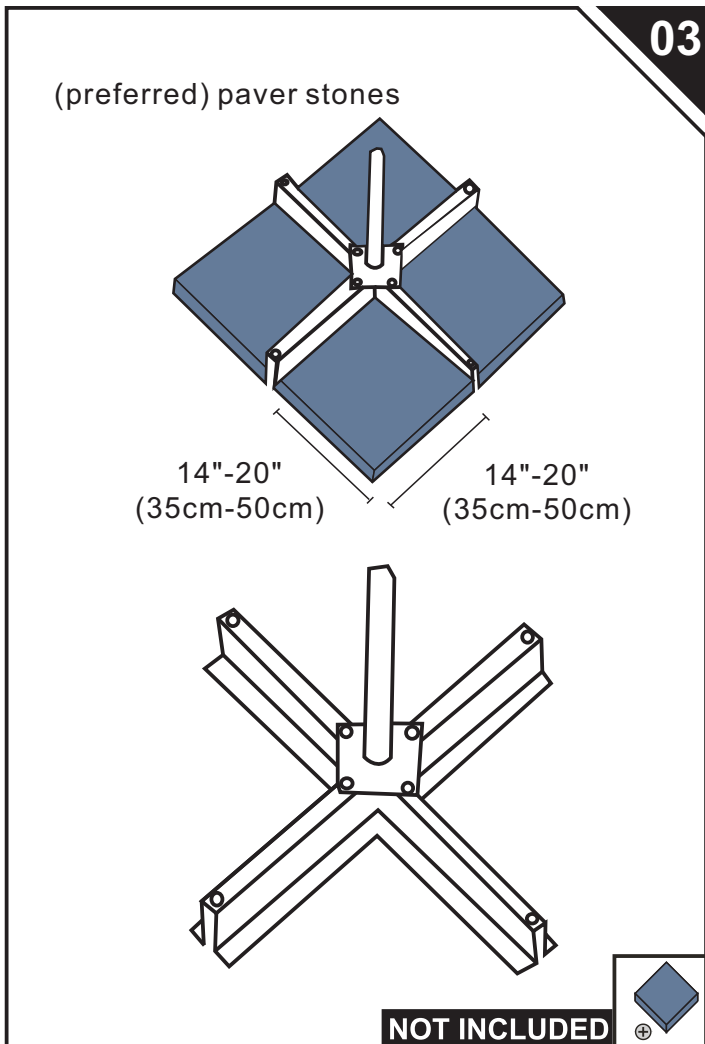
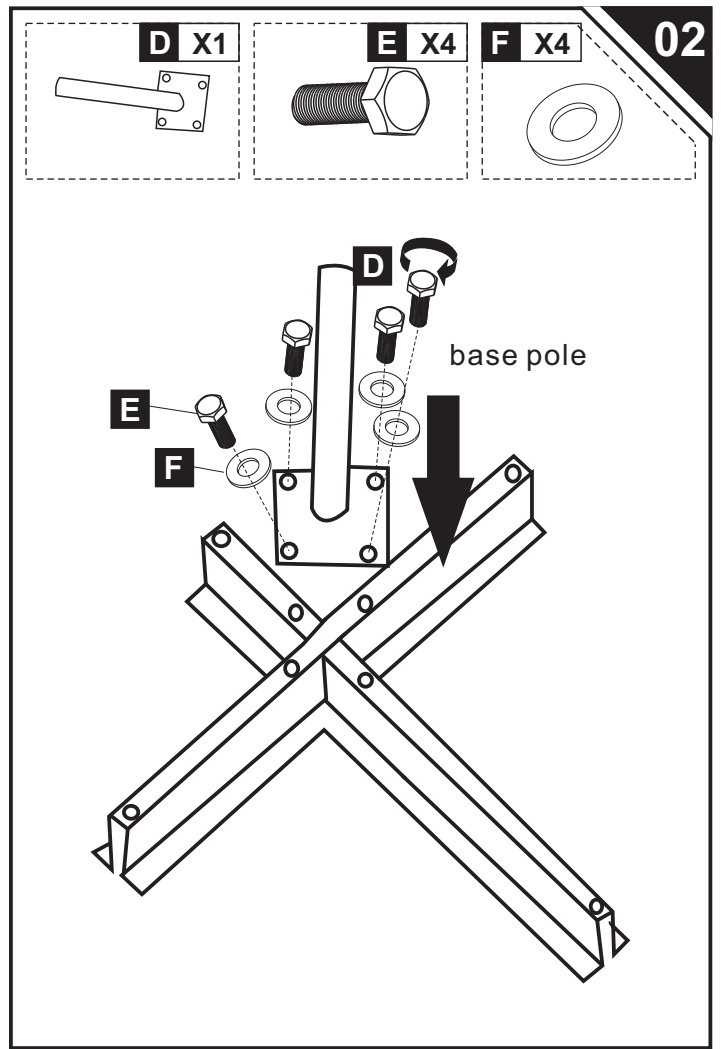
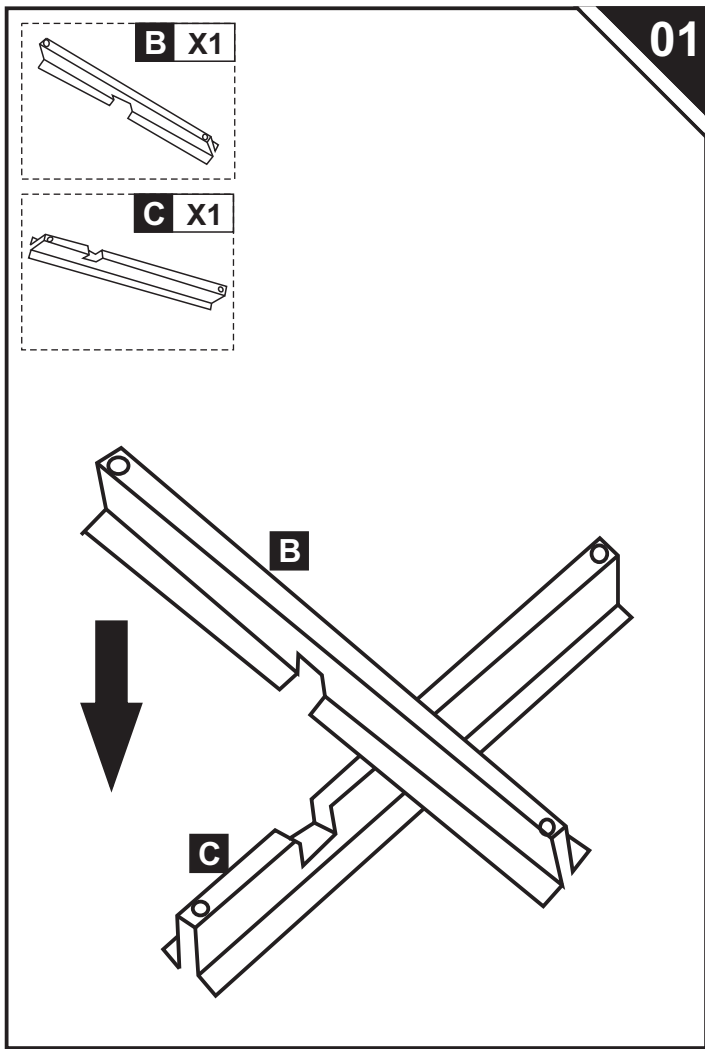
**F x 4**

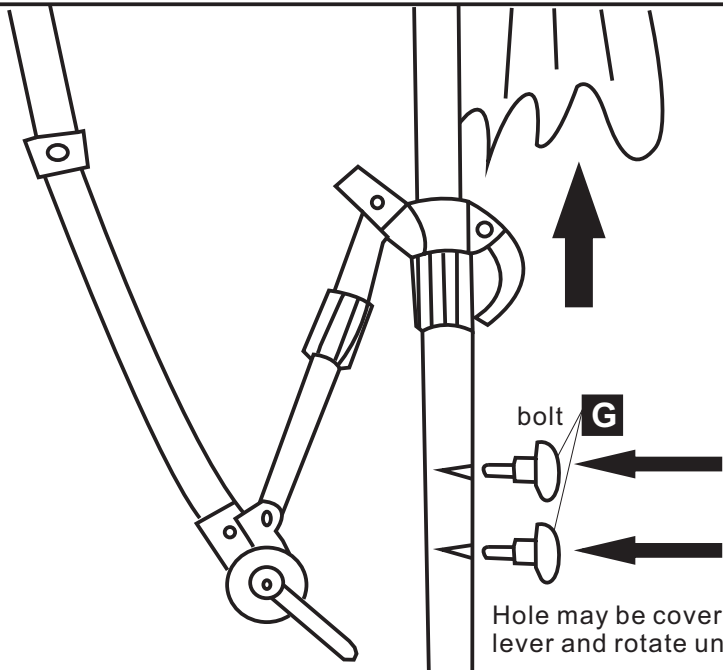
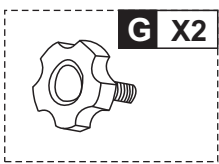
**C x 1**



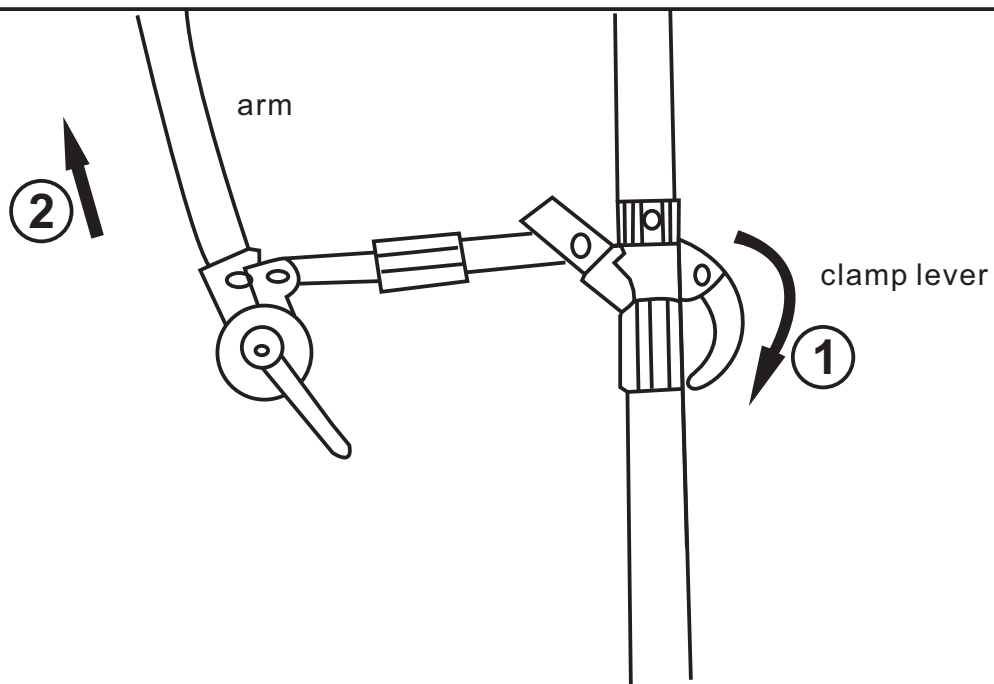
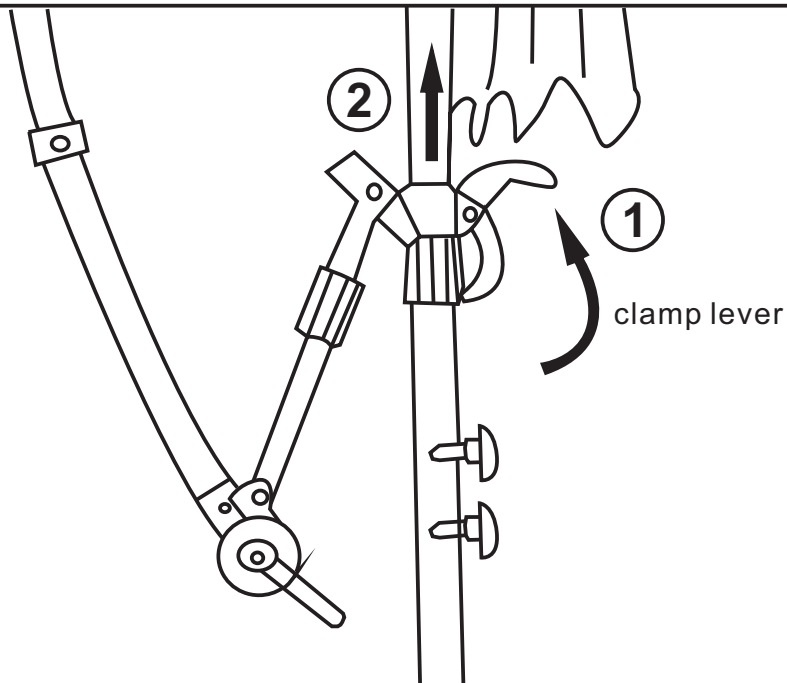
**G x 2**

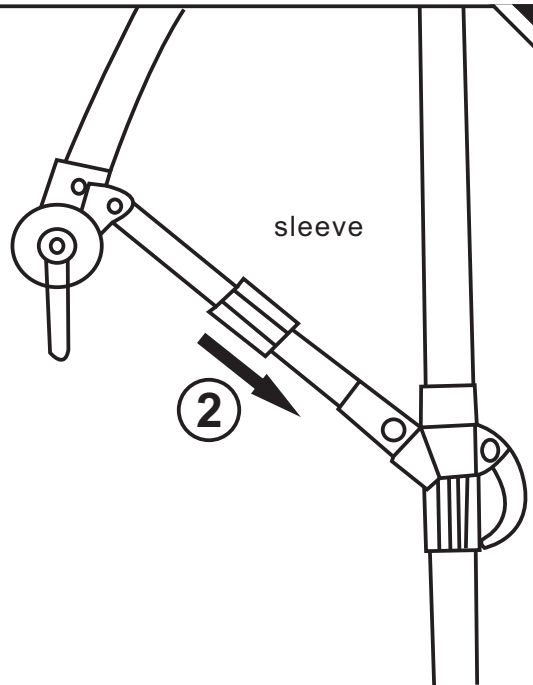
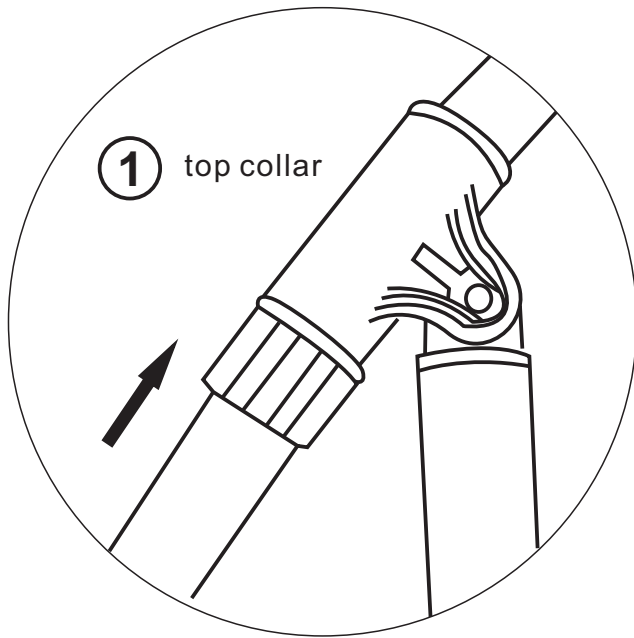






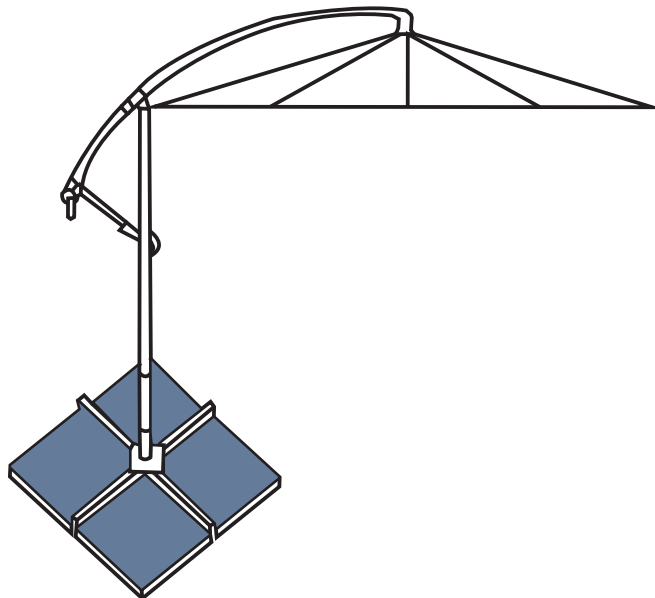
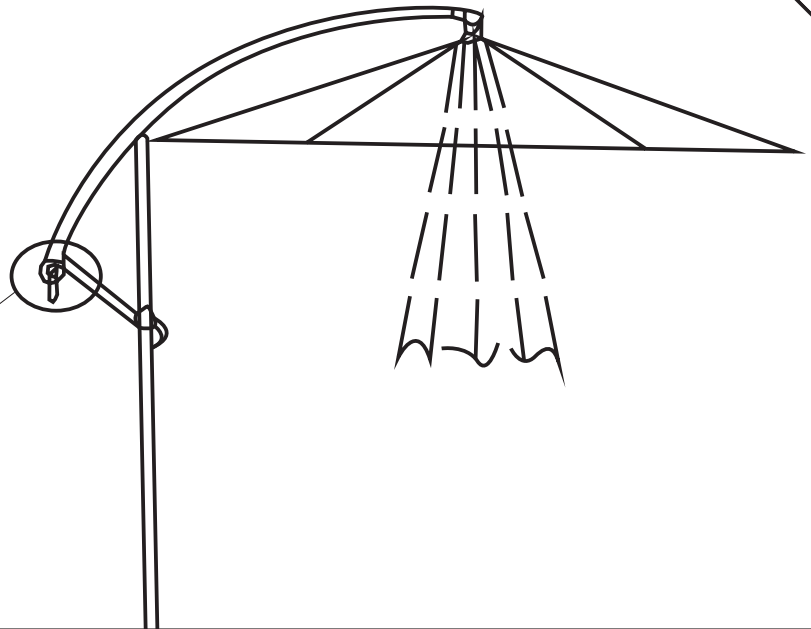
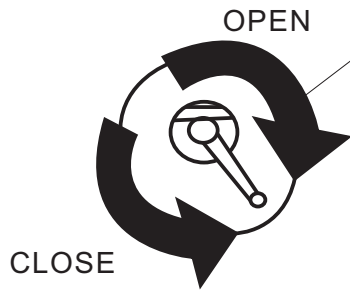
Hole may be covered, slide clamp lever and rotate until hole is visible.



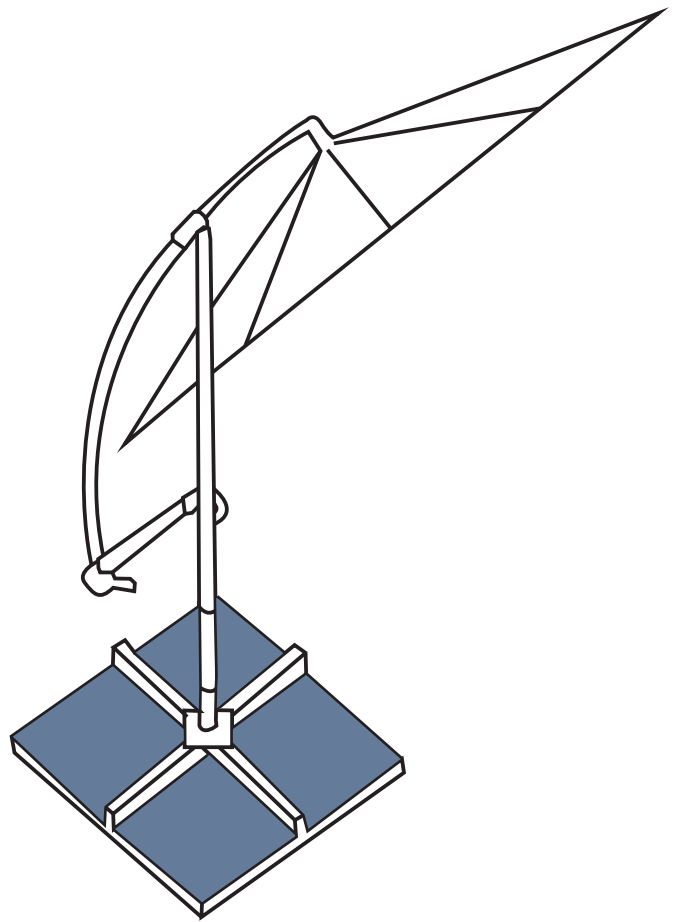
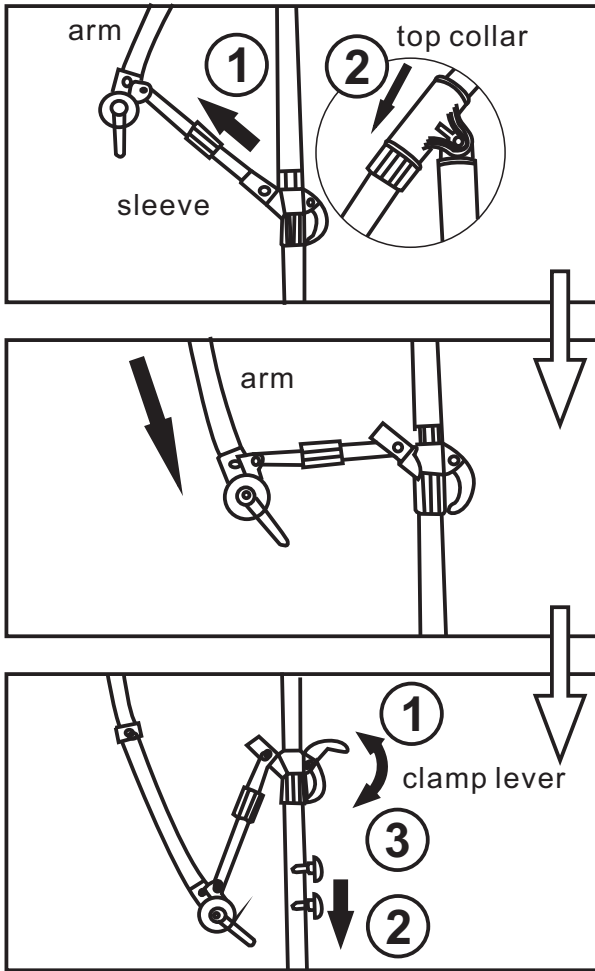


Open-clockwise

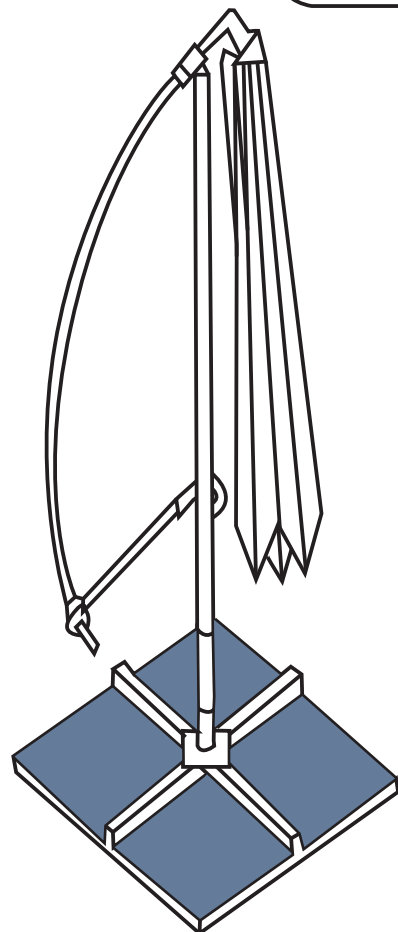
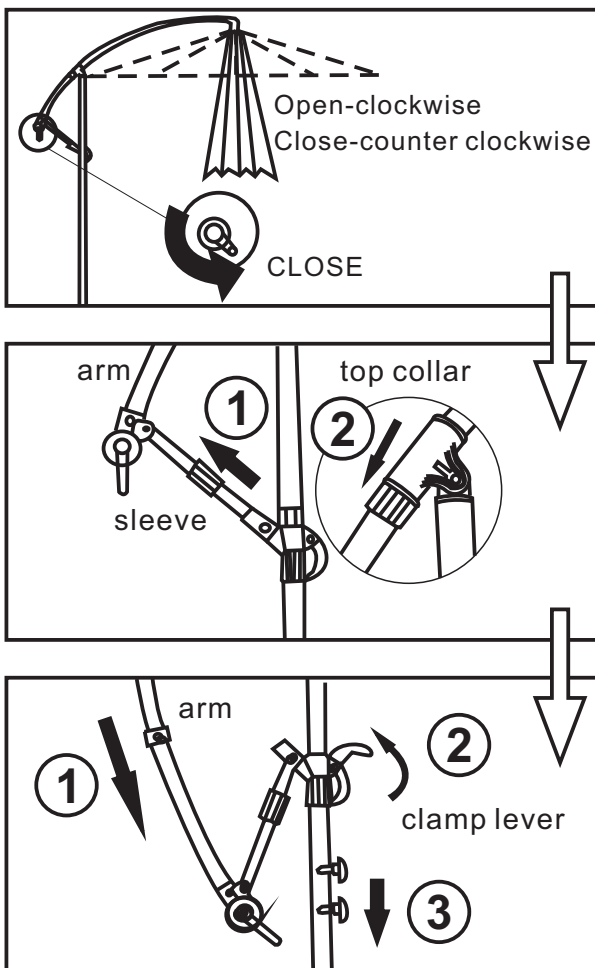
Close-counter clockwise



COMBINATIONS 1



COMBINATIONS 2



US



001-877-644-9366  
customerservice@aosom.com

CA



001-855-537-6088  
customerservice@aosom.ca

UK



0044-800-240-4004  
enquiries@mhstar.co.uk

DE



0049-(0)40-88307530  
service@aosom.de

FR



0033-1-84166106  
contact@aosom.fr

ES



0034-931294512  
atencioncliente@aosom.es

IT



0039-0249471447  
clienti@aosom.it