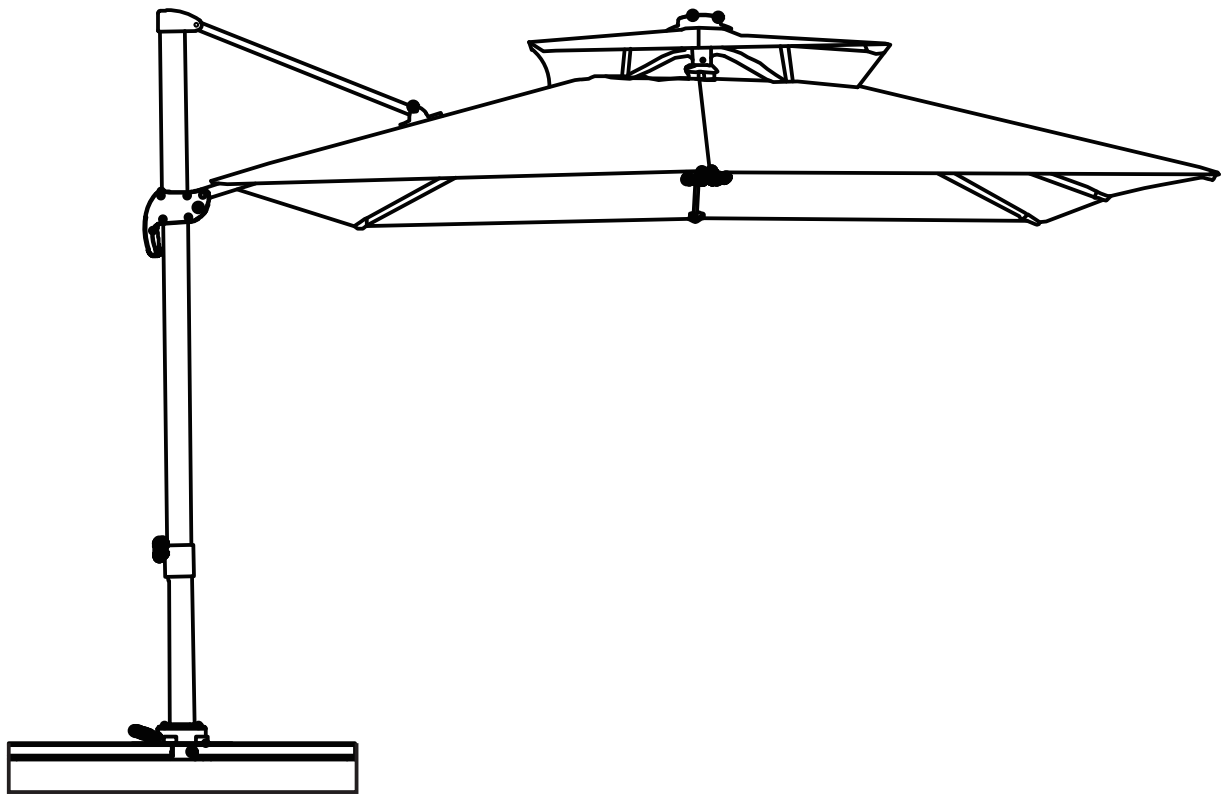




INbpc013V01\_GL\_

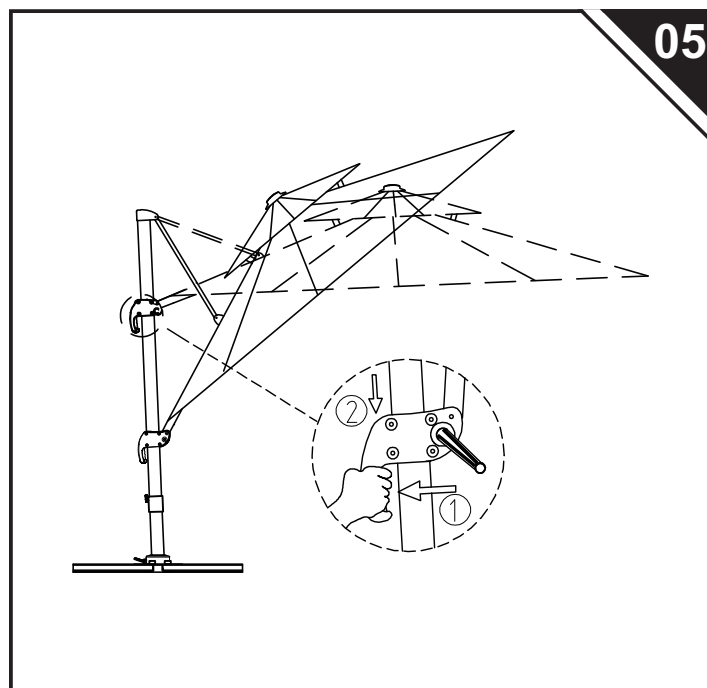
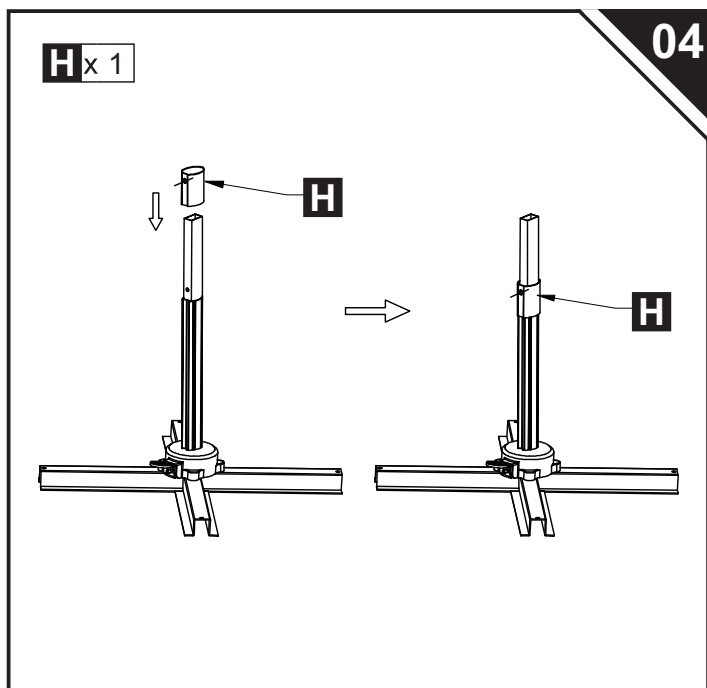
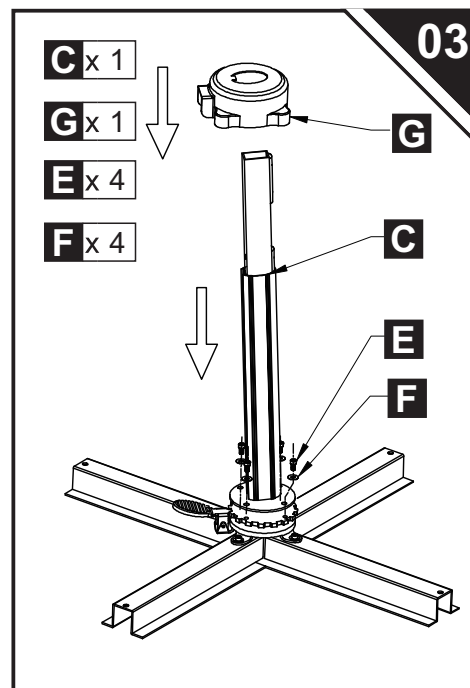
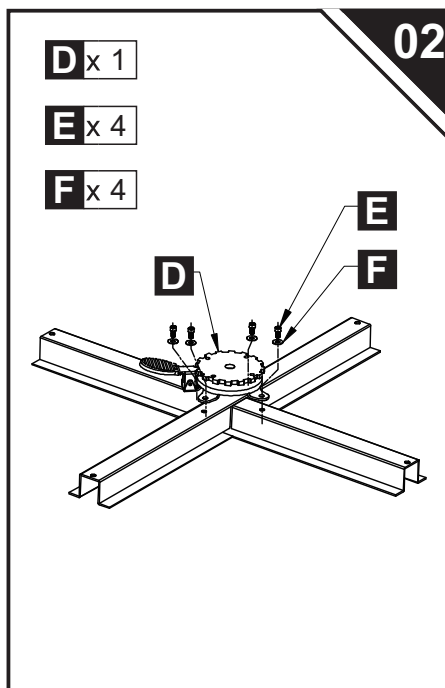
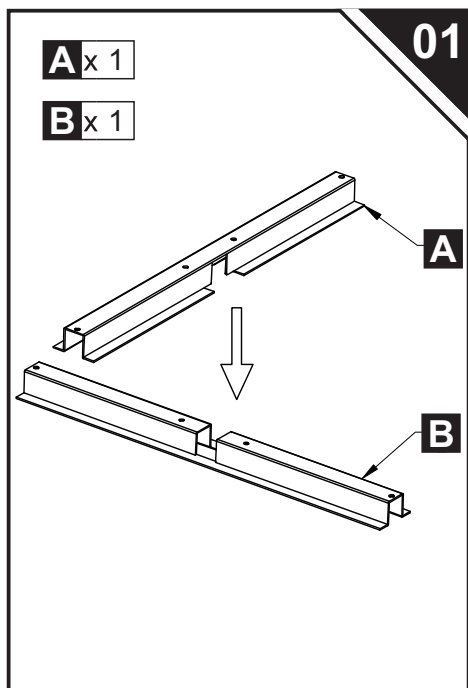
84D-072\_84D-073\_84D-073V02

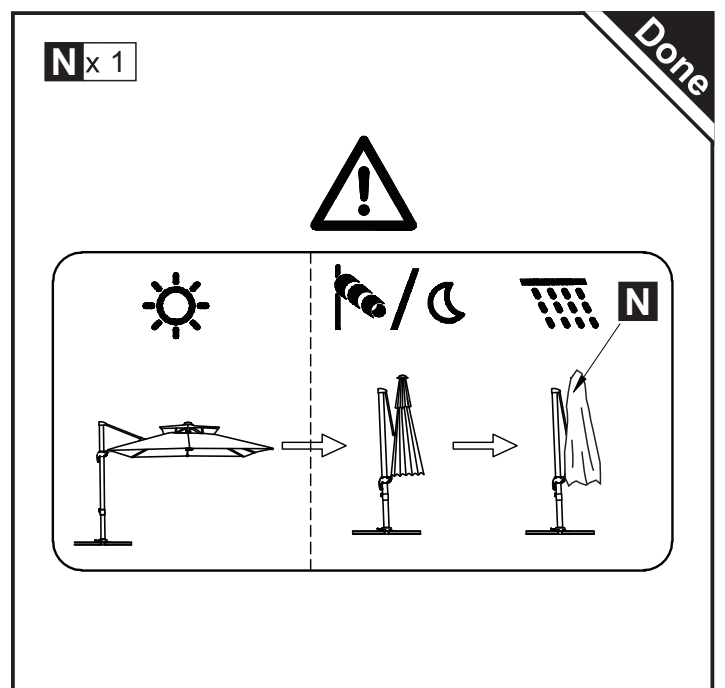
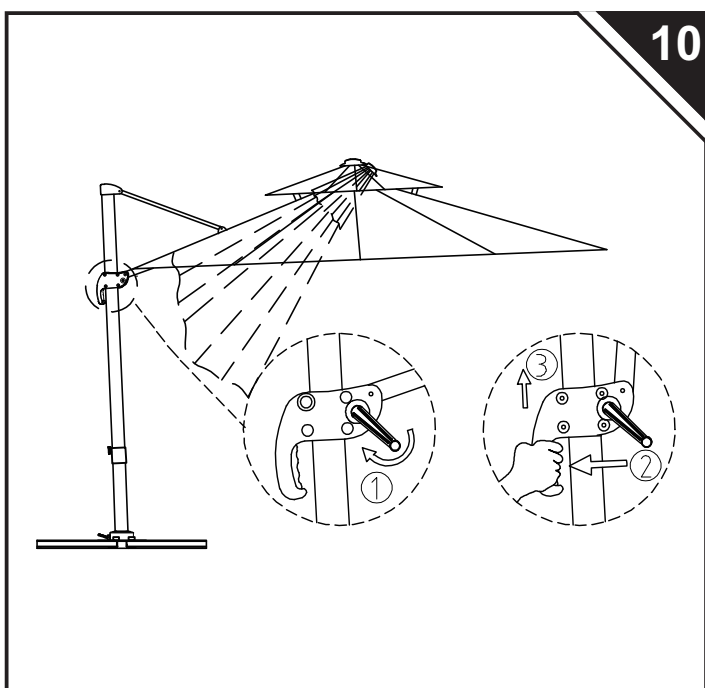
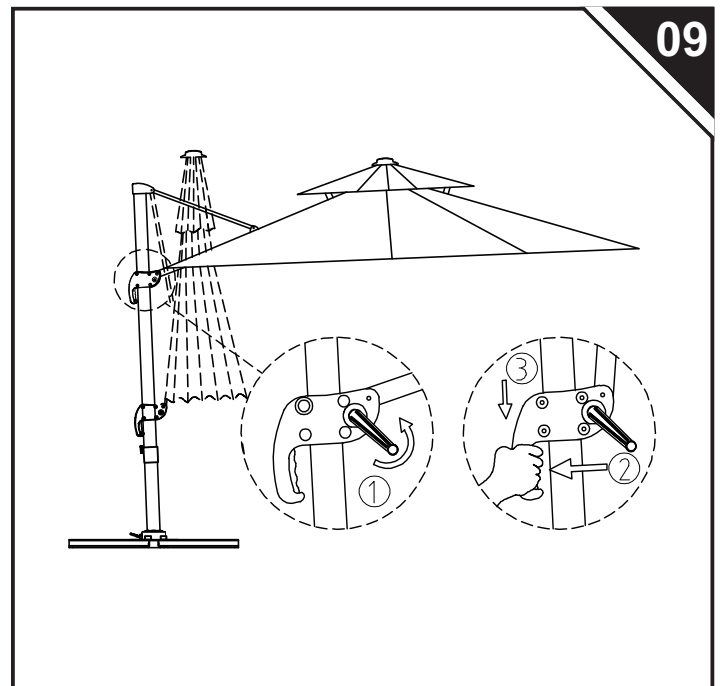
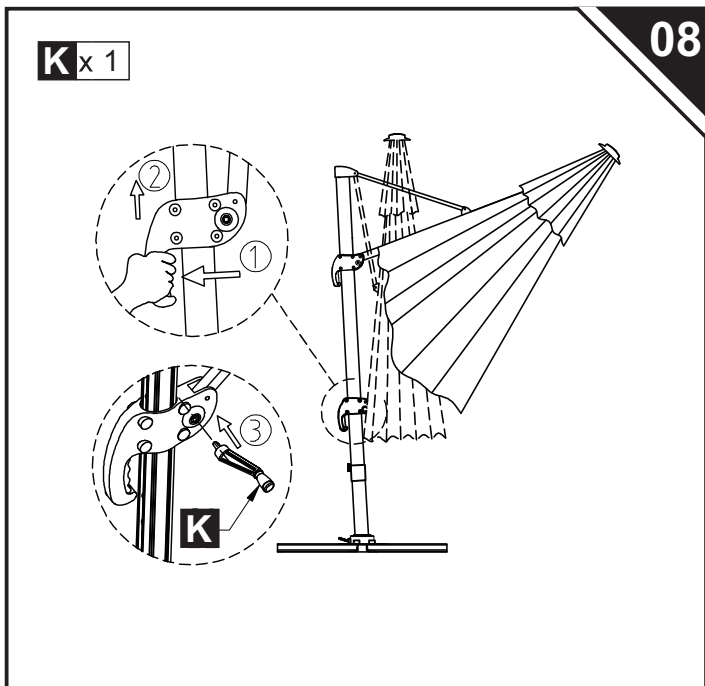
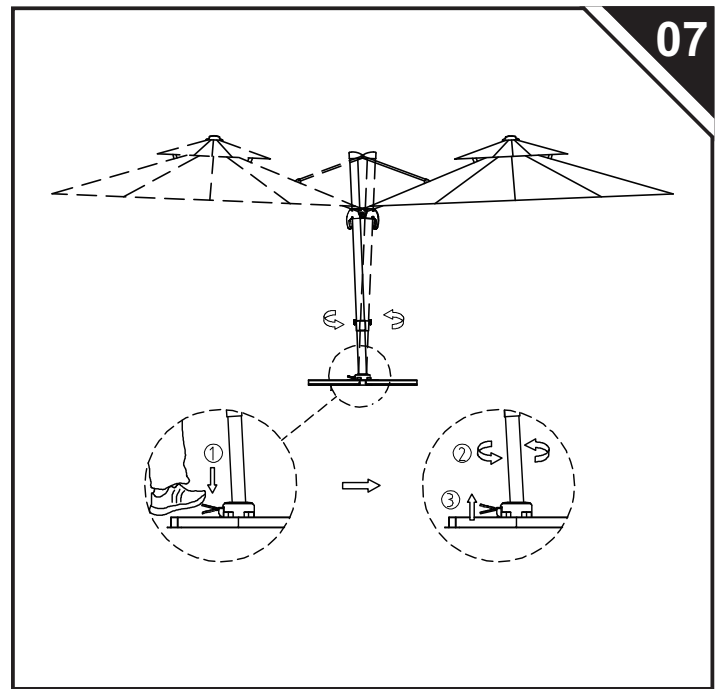
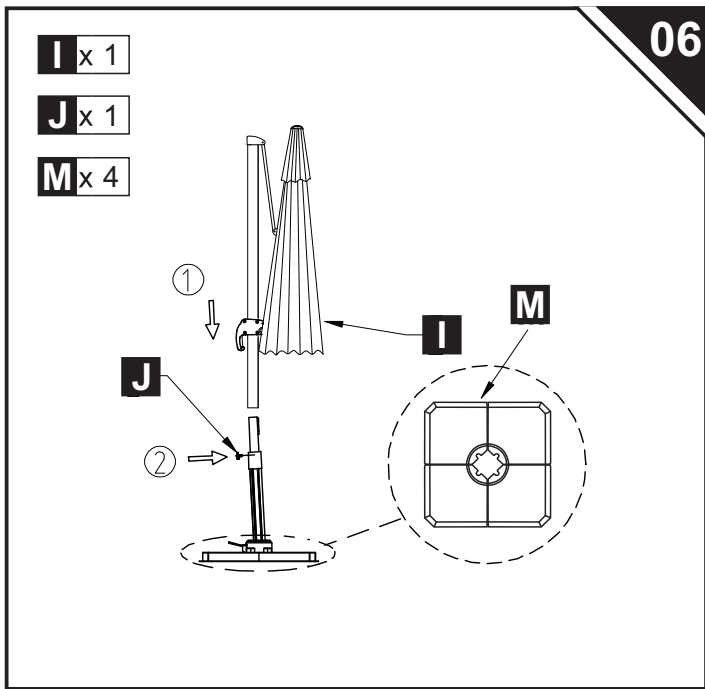


READ AND SAVE THIS INSTRUCTIONS FOR FUTURE USE

# ASSEMBLY INSTRUCTION

<b>A x 1</b> 	<b>D x 1</b> 	<b>G x 1</b> 	<b>K x 1</b> 
<b>B x 1</b> 	<b>E x 8</b> 	<b>H x 1</b> 	<b>L x 1</b> 
<b>C x 1</b> 	<b>F x 8</b> 	<b>I x 1</b> 	<b>M x 4</b> 
		<b>J x 1</b> 	<b>N x 1</b> 





US



001-877-644-9366  
customerservice@aosom.com

CA



001-855-537-6088  
customerservice@aosom.ca

UK



0044-800-240-4004  
enquiries@mhstar.co.uk

DE



0049-(0)40-88307530  
service@aosom.de

FR



0033-1-84166106  
contact@aosom.fr

ES



0034-931294512  
atencioncliente@aosom.es

IT



0039-0249471447  
clienti@aosom.it