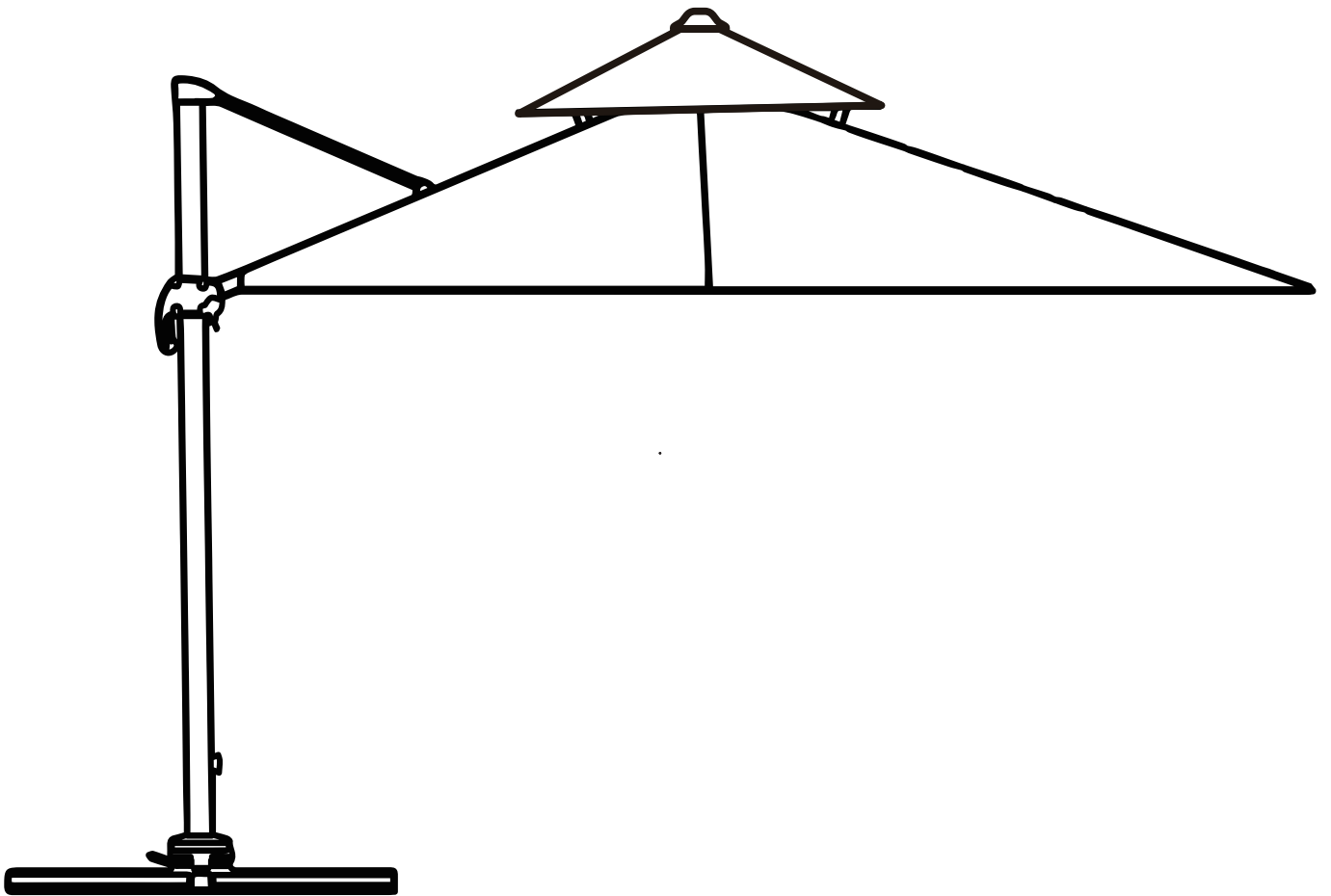




INbpc017_GL

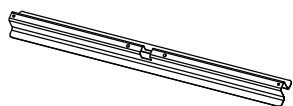
84D-114



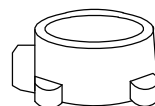
READ AND SAVE THIS INSTRUCTIONS FOR FUTURE USE

ASSEMBLY & INSTRUCTION MANUAL

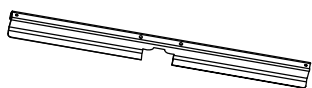
A x 1



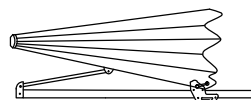
H x 1



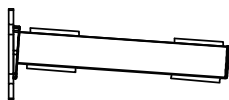
B x 1



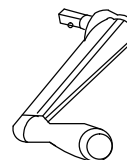
I x 1



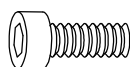
C x 1



J x 1



D x 4

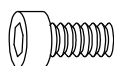


K x 2



M8*20:

E x 4



L x 1



M8*14:

F x 8



M x 1



G x 1



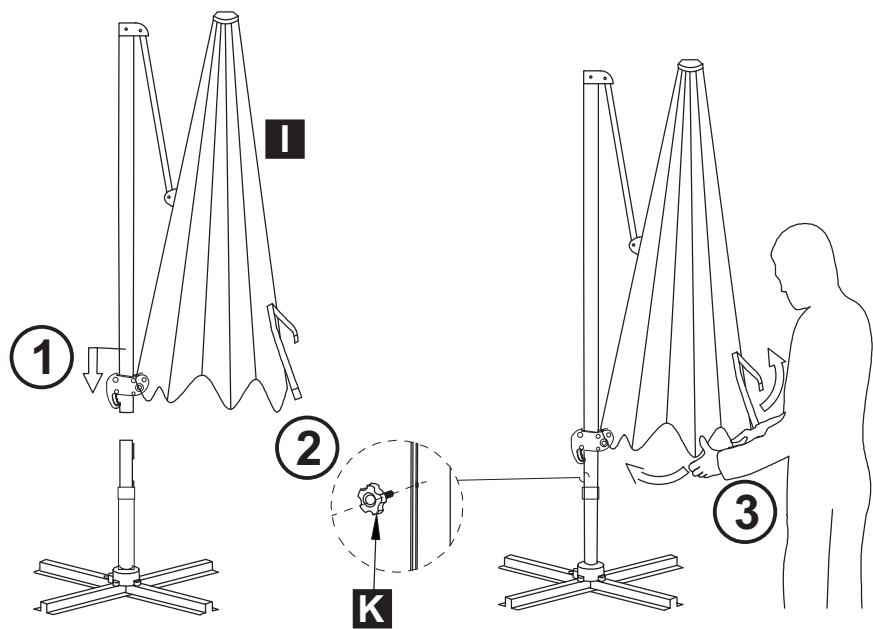
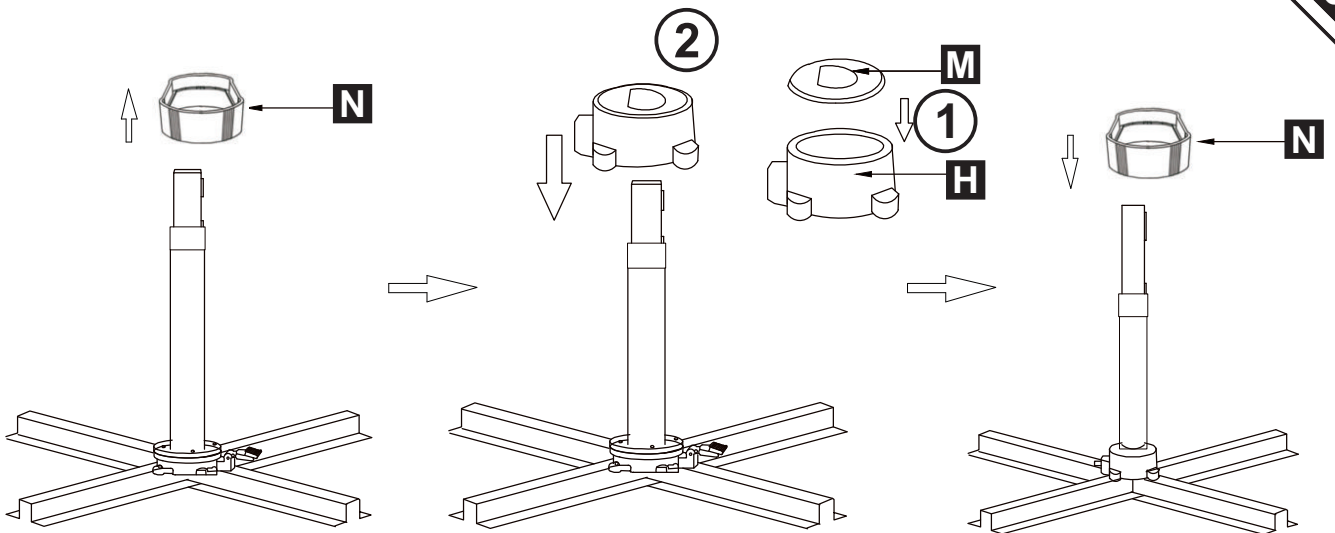
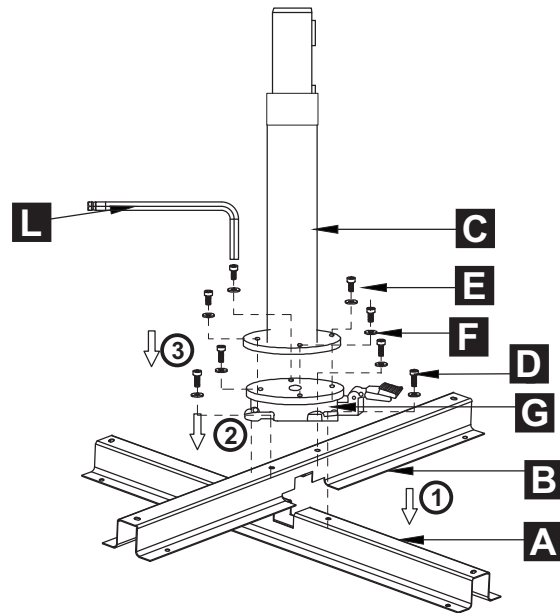
N x 1

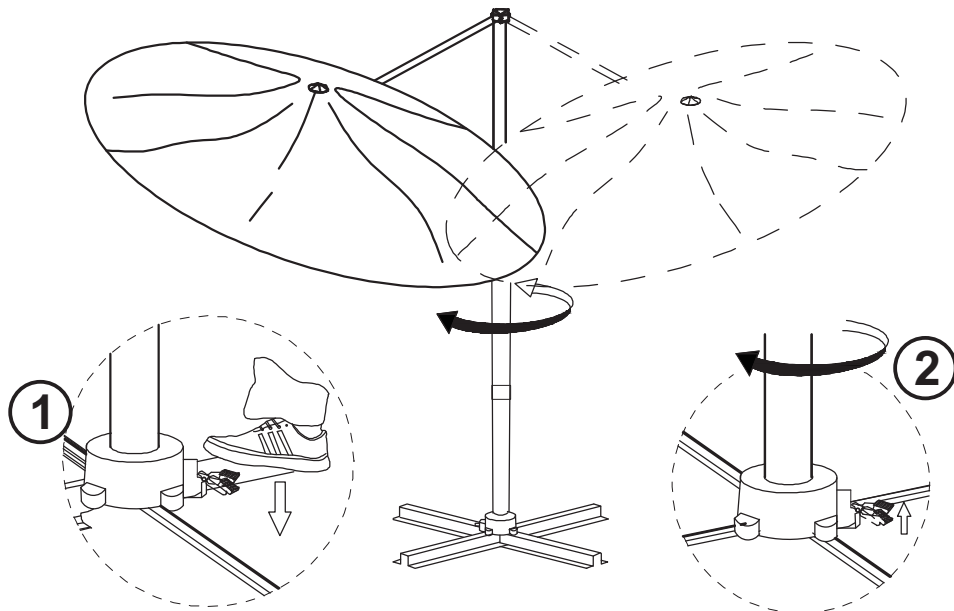
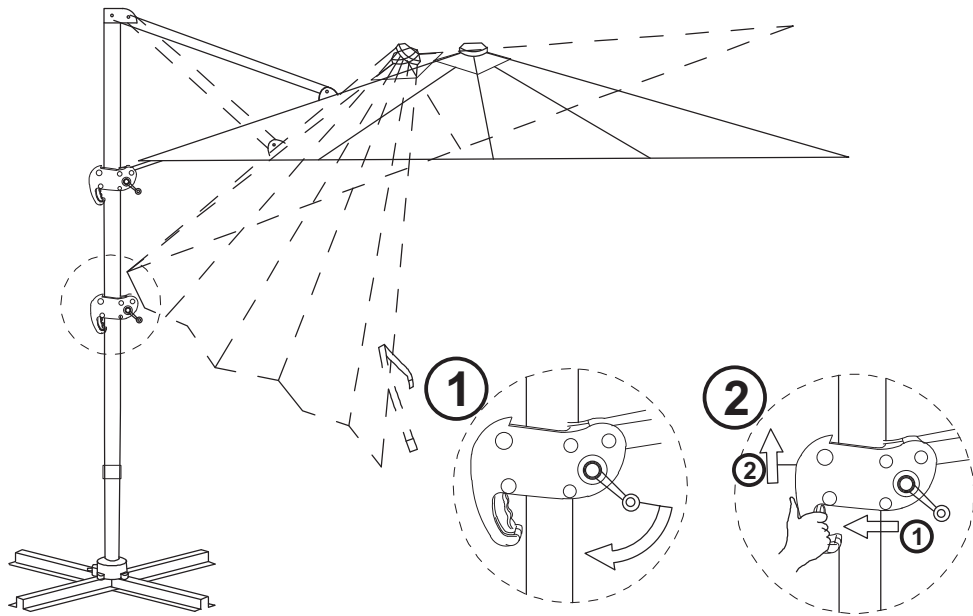
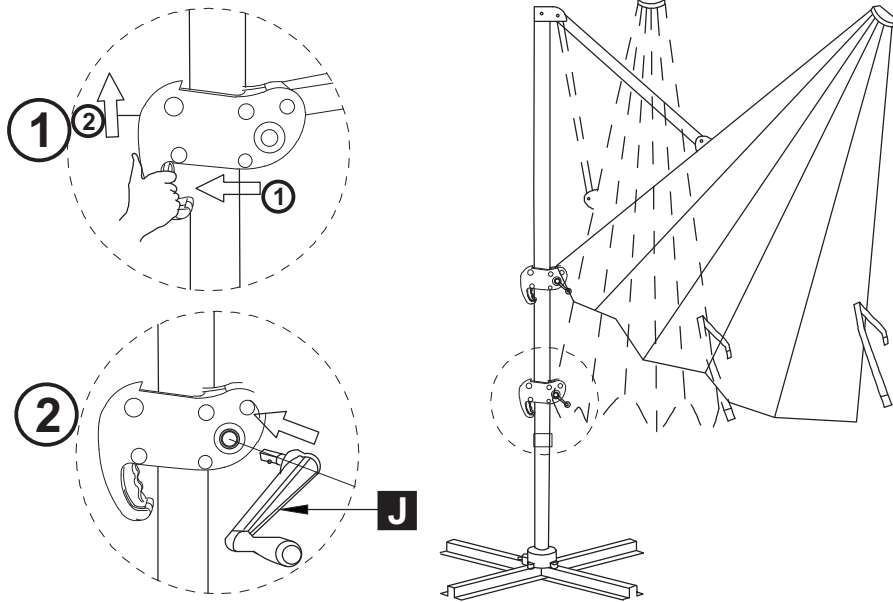


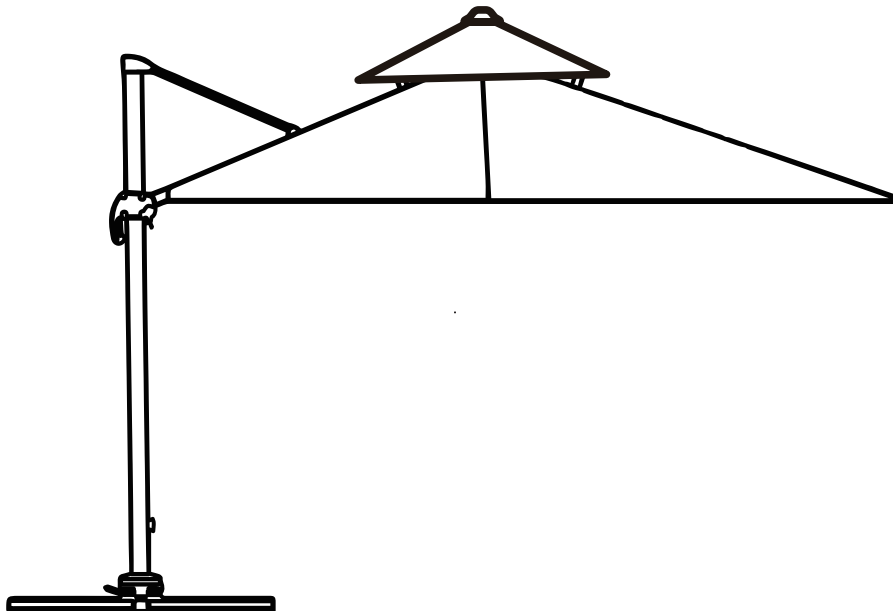
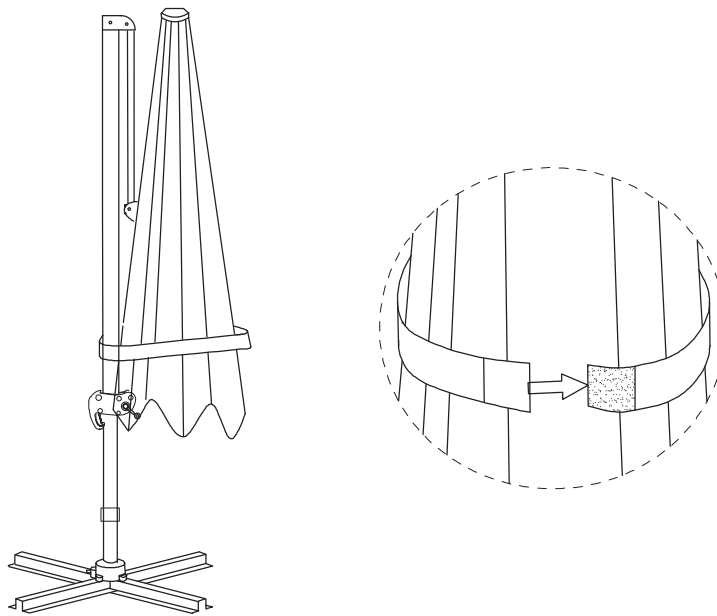
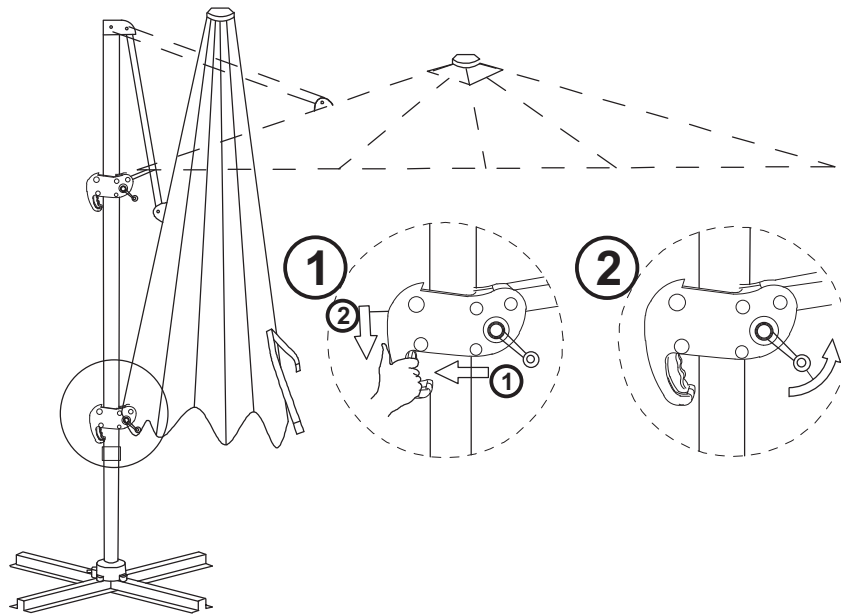
D x 4

E x 4

F x 8







US



001-877-644-9366
customerservice@aosom.com

CA



001-855-537-6088
customerservice@aosom.ca

UK



0044-800-240-4004
enquiries@mhstar.co.uk

DE



0049-(0)40-88307530
service@aosom.de

FR



0033-1-84166106
contact@aosom.fr

ES



0034-931294512
atencioncliente@aosom.es

IT



0039-0249471447
clienti@aosom.it