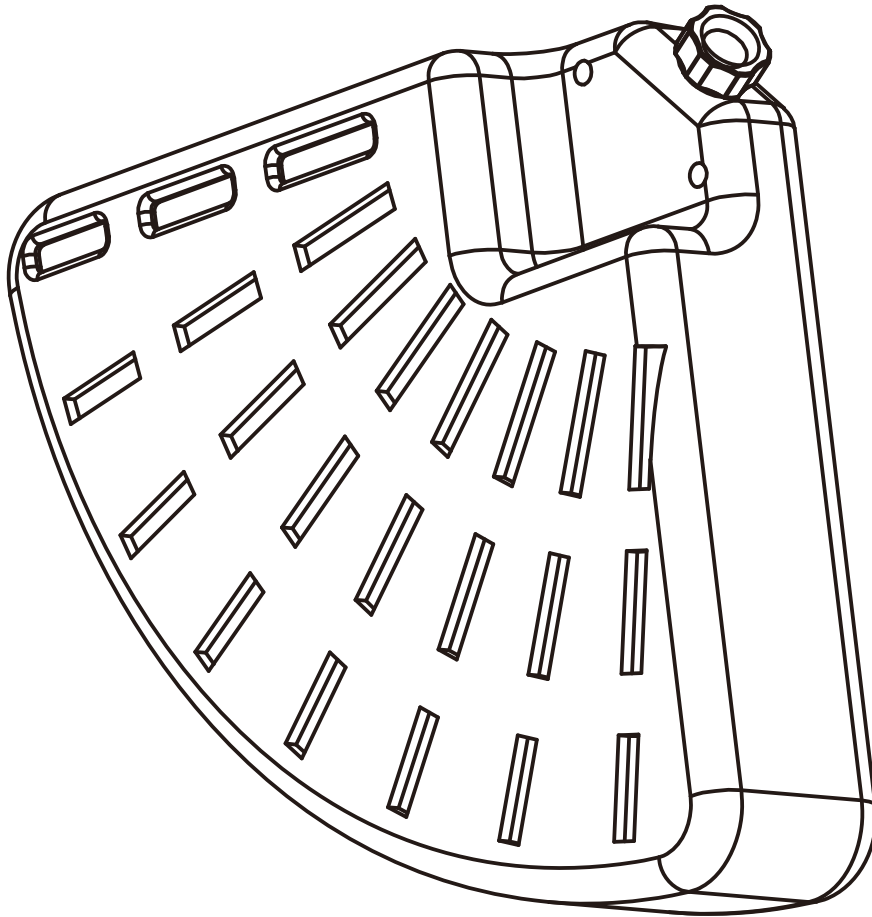




INbpd003V02_GL

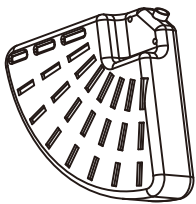
84D-124



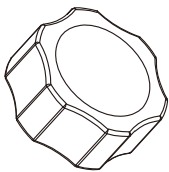
IMPORTANT, RETAIN FOR FUTURE REFERENCE: READ CAREFULLY

ASSEMBLY & INSTRUCTION MANUAL

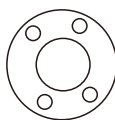
A x 1



B x 1



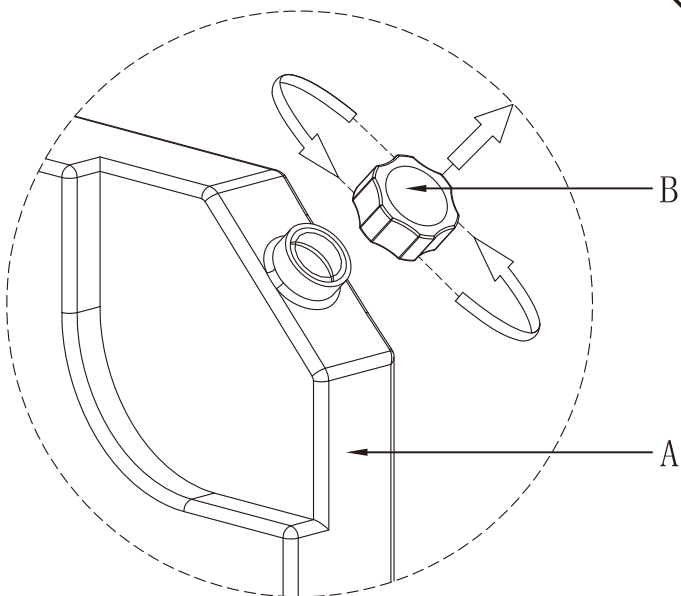
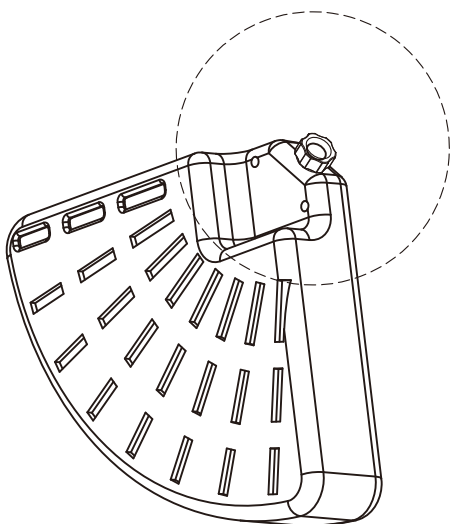
C x 4



D x 4



01



02

