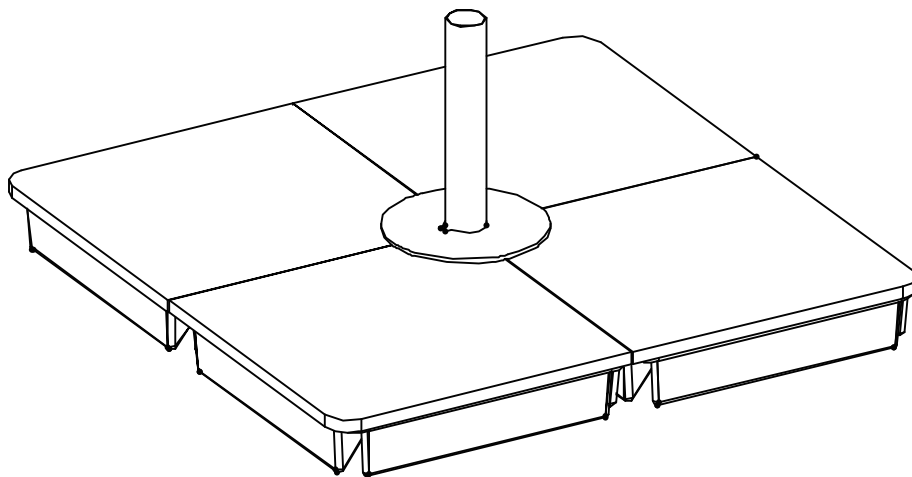




INbpd008_GL

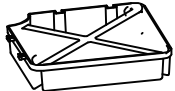
84D-132



IMPORTANT, RETAIN FOR FUTURE REFERENCE: READ CAREFULLY

ASSEMBLY & INSTRUCTION MANUAL

A x 4



B x 4



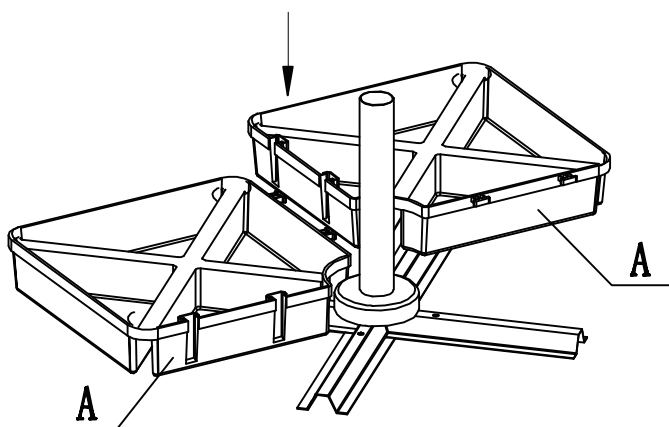
C x 1



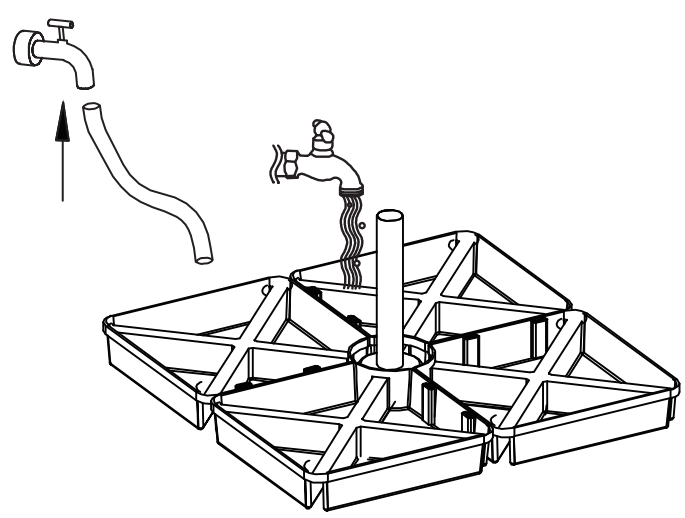
D x 16



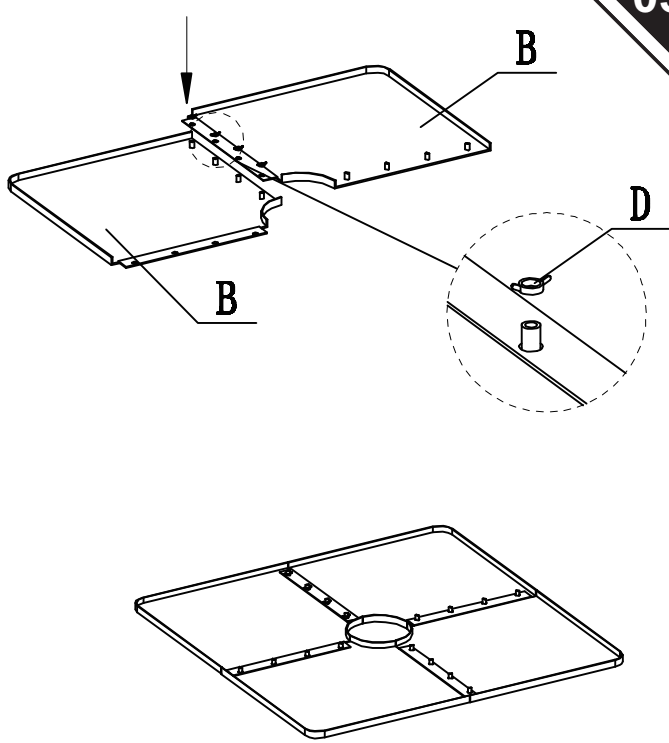
01



02



03



Done

