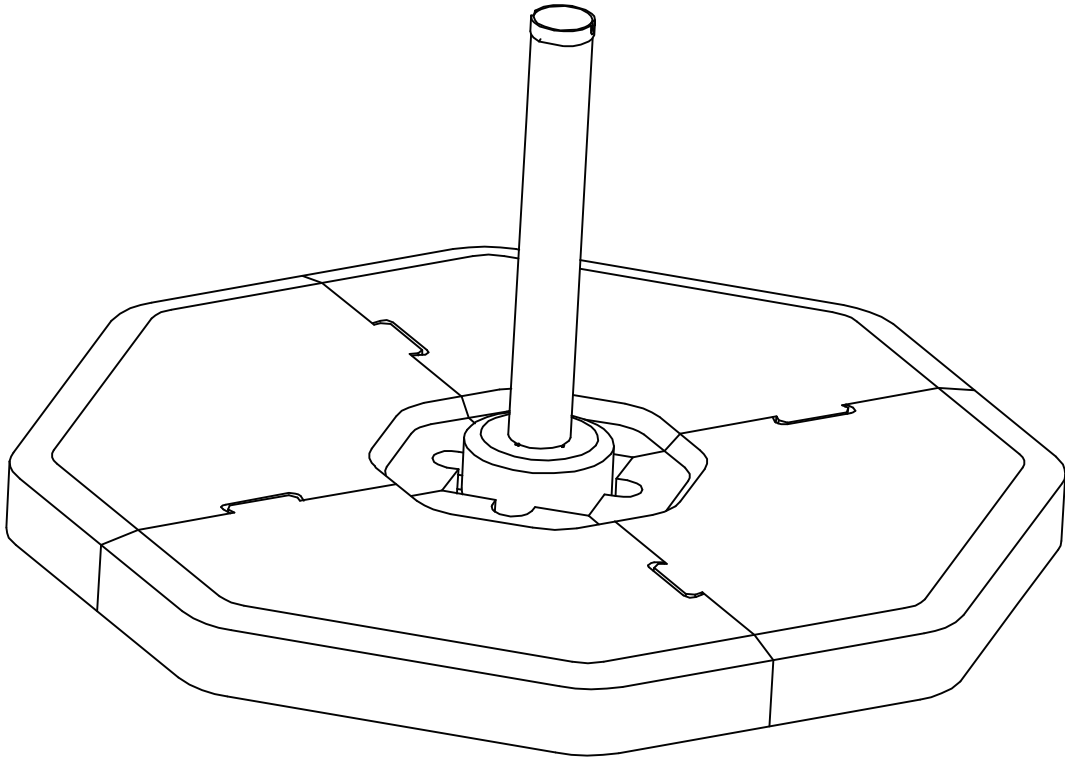




INbpd010\_GL

**84D-134**

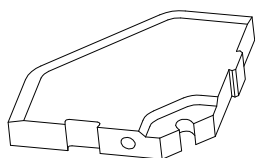


IMPORTANT, RETAIN FOR FUTURE REFERENCE: READ CAREFULLY

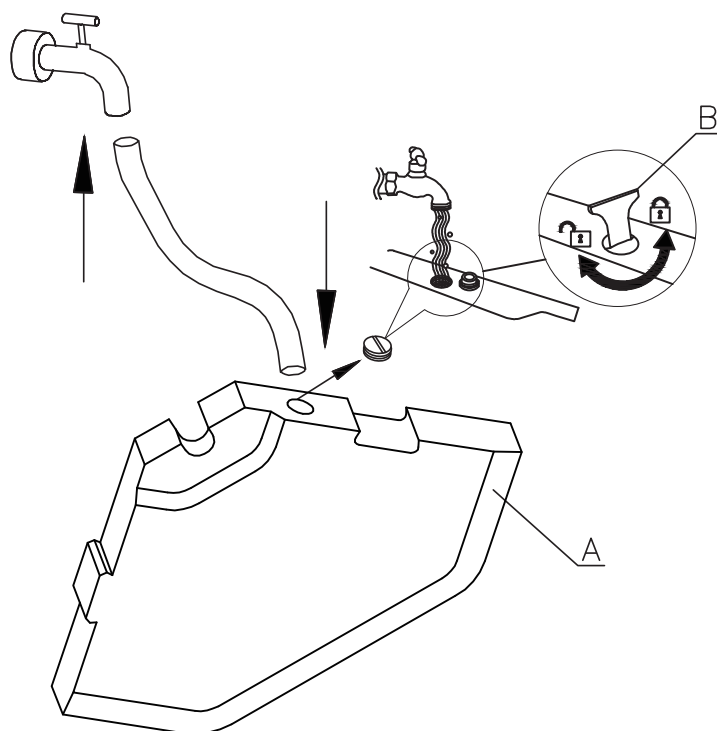
# ASSEMBLY & INSTRUCTION MANUAL

A x 4

B x 1



01



02

