



INbpd011_GL

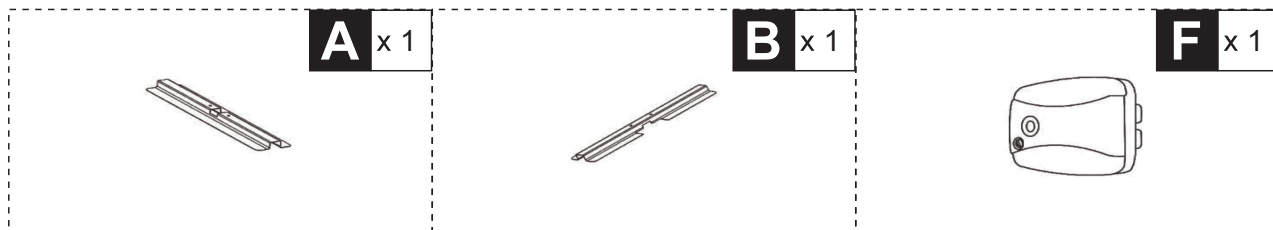
84D-148_84D-148V01



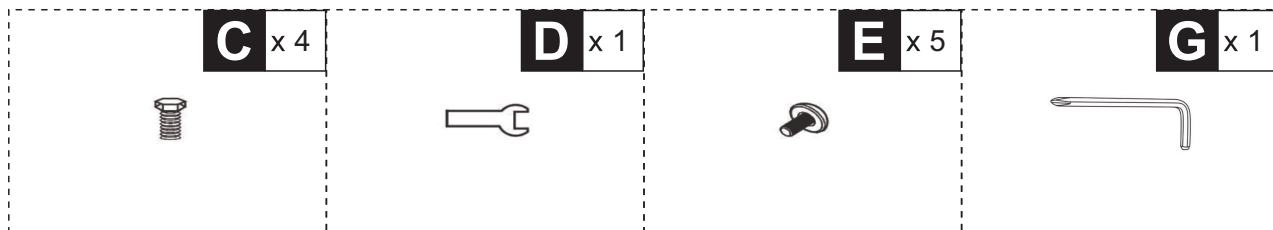
IMPORTANT, RETAIN FOR FUTURE REFERENCE: READ CAREFULLY

ASSEMBLY & INSTRUCTION MANUAL

PARTS



HARDWARE

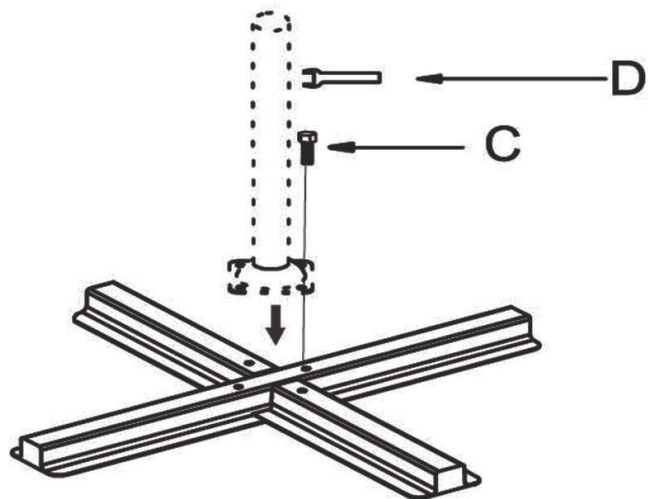


remove five screws before using

01

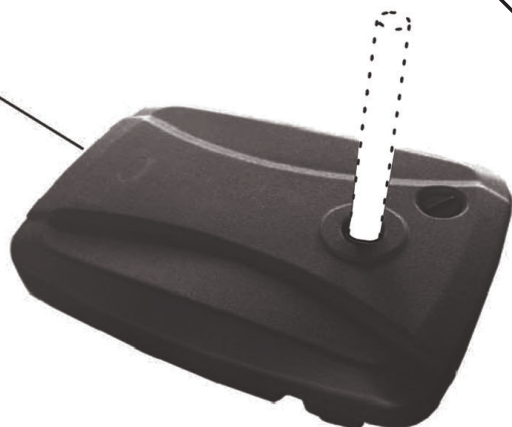


02



03

F



Done

screw five screws back on the base

