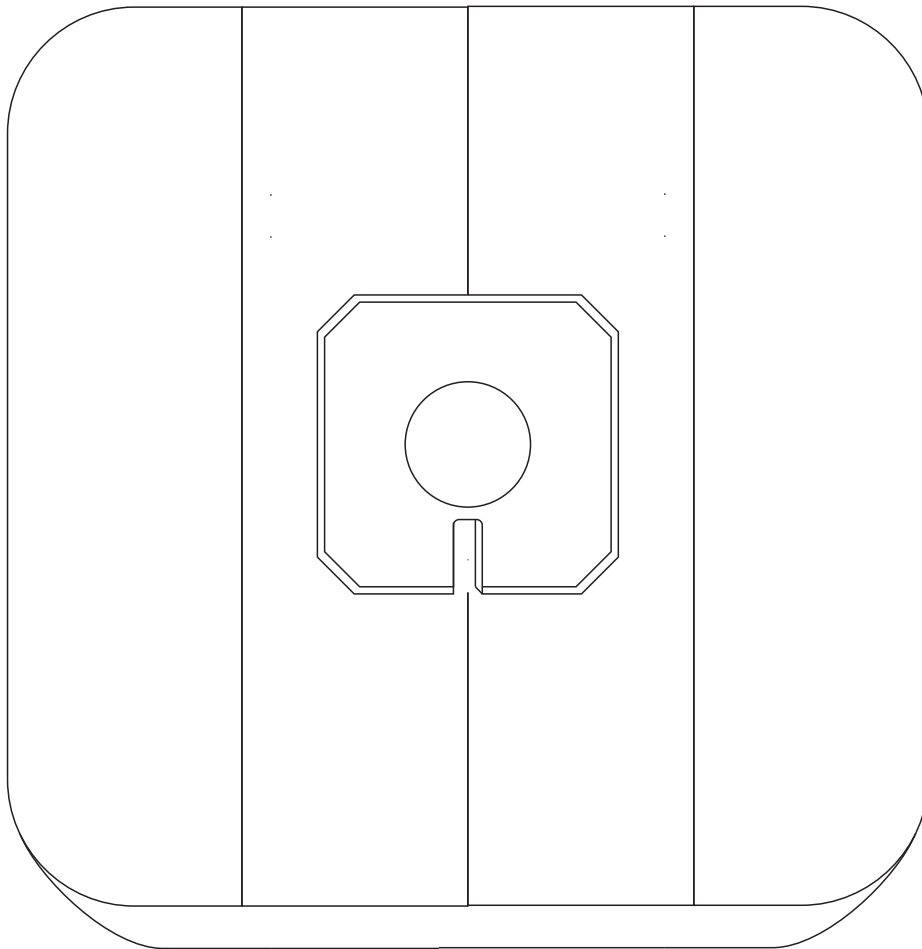




INbpd020_GL

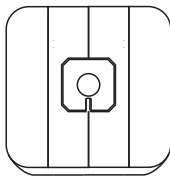
84D-144



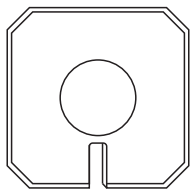
IMPORTANT, RETAIN FOR FUTURE REFERENCE: READ CAREFULLY

ASSEMBLY & INSTRUCTION MANUAL

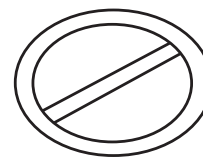
A x1



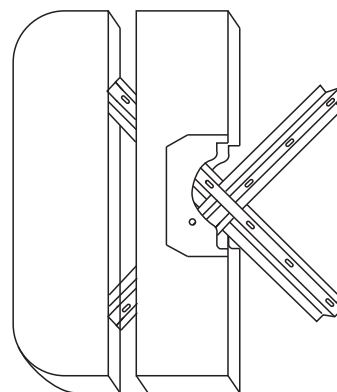
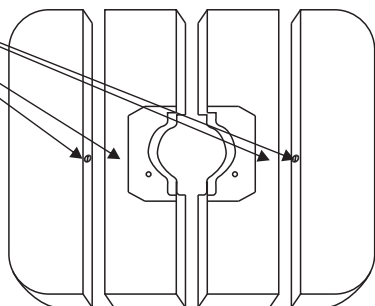
B x1



C x1



01



02

