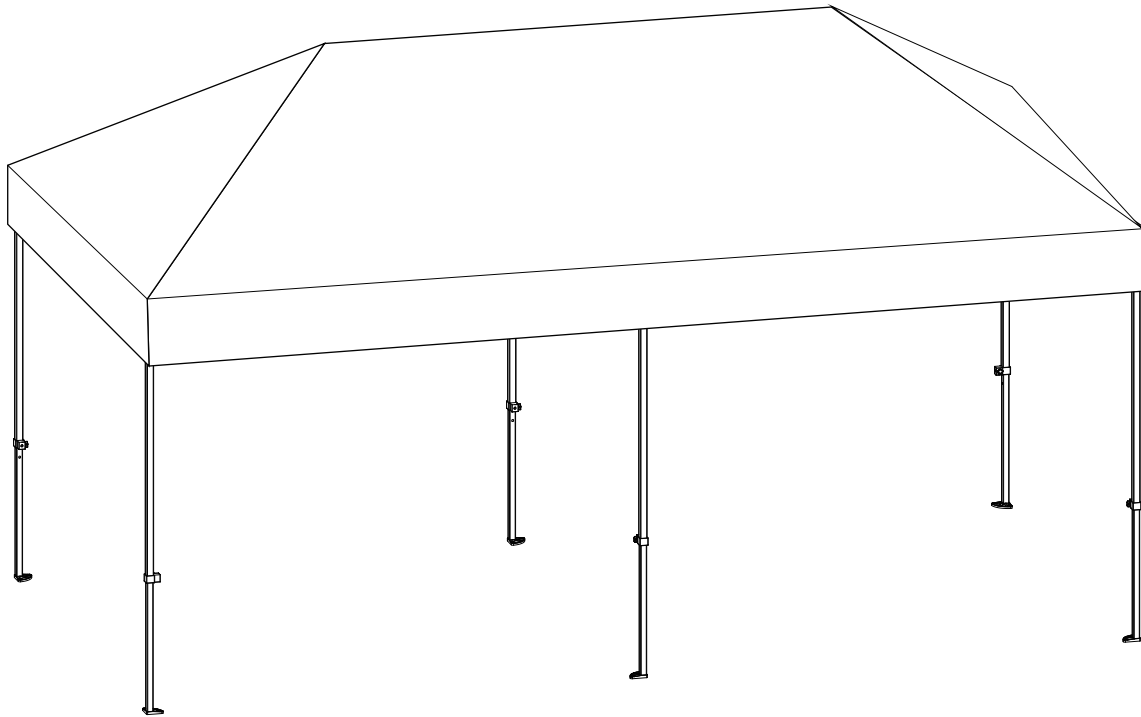




INbra001\_US

**84C-249**



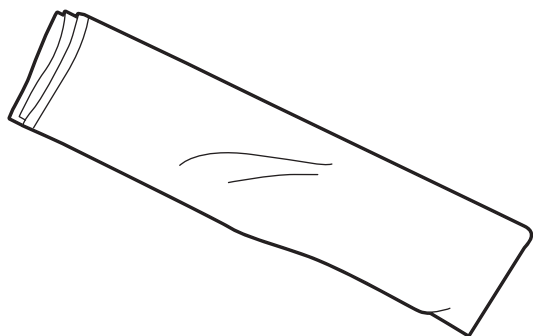
READ AND SAVE THIS INSTRUCTIONS FOR FUTURE USE

# ASSEMBLY & INSTRUCTION MANUAL

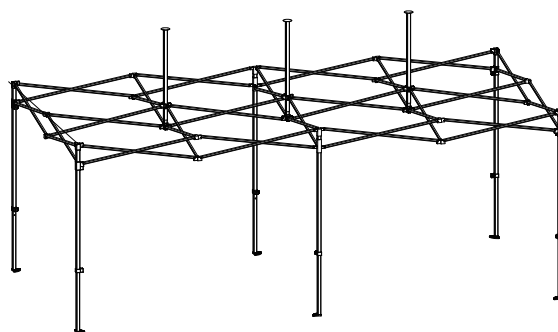
Warning: .

1. A 3 person assembly is required for this tent.
2. Please take appropriate actions as heavy rain, wind and snow can damage the tent. If necessary please dis-assemble and store for later use.
3. In snowy conditions please do not allow the thickness of the snow to be more than 5cm on the roof, this should be cleared as soon as possible for your safety.

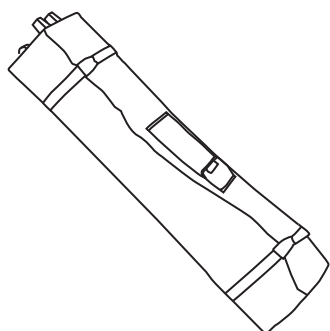
① x 1



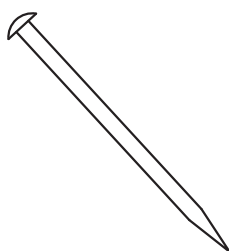
② x 1



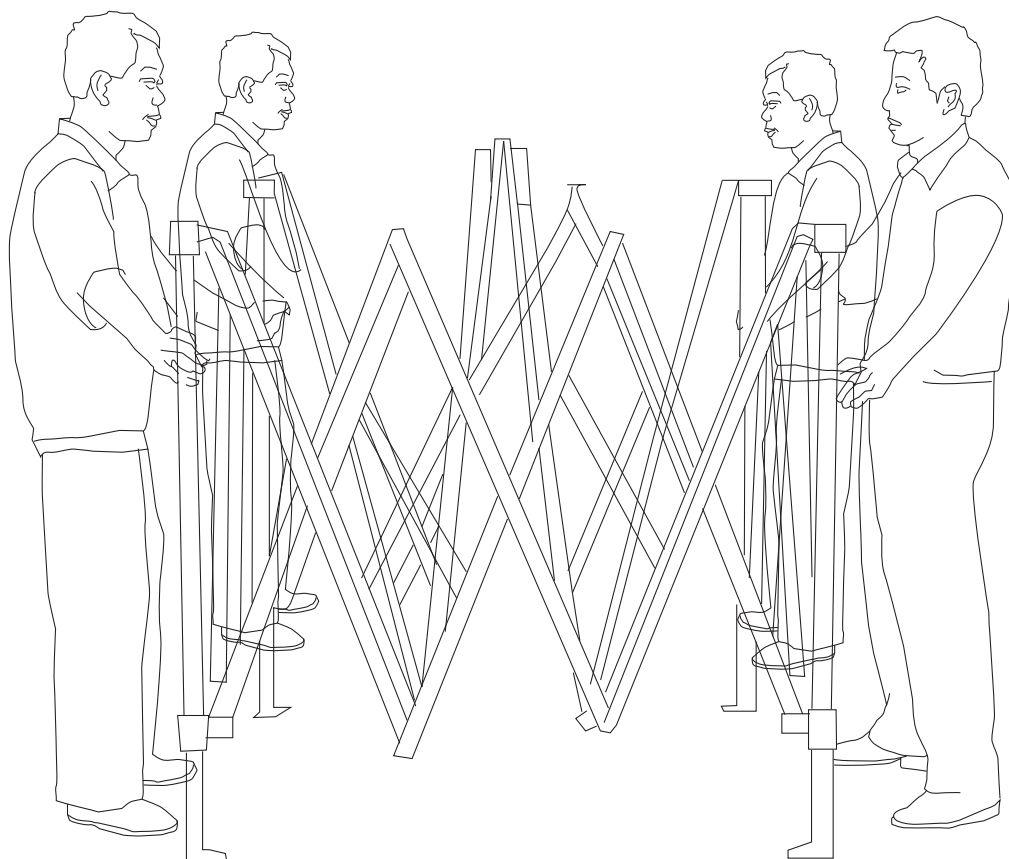
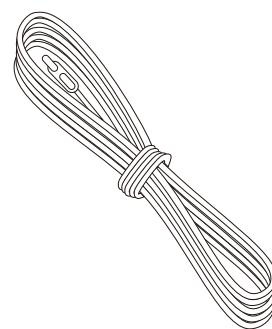
③ x 1



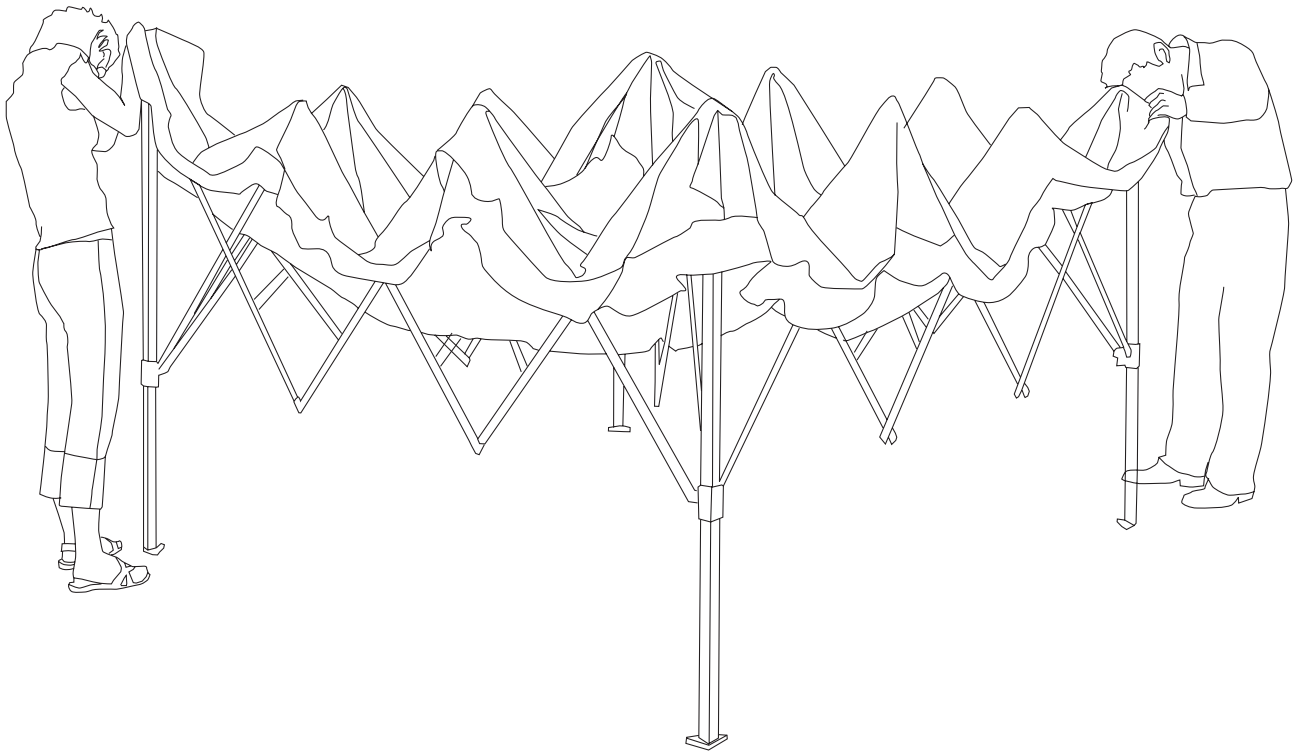
④ x 16



⑤ x 4



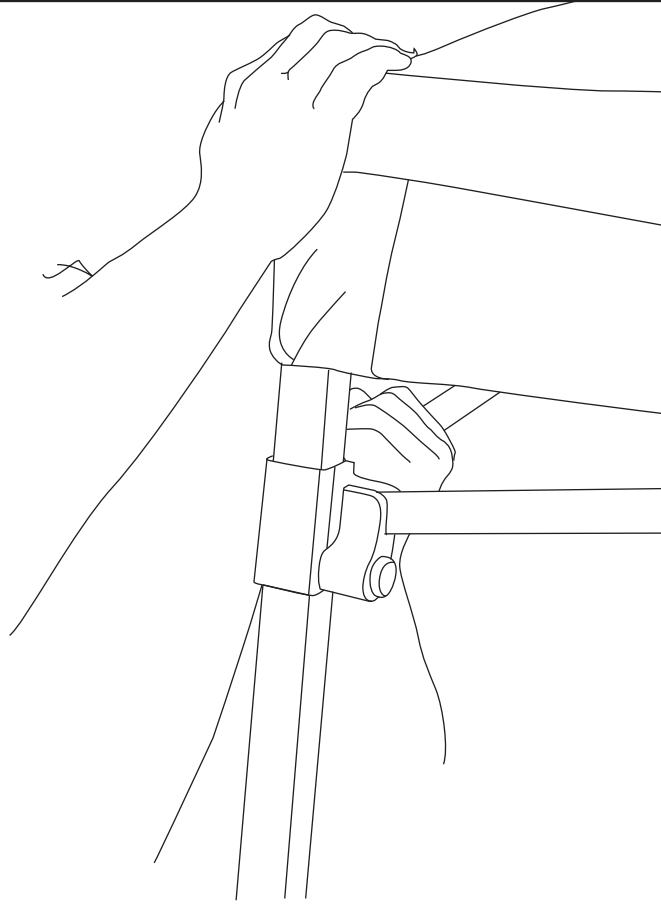
1. Need 4 persons to assemble the canopy. Stand frame upright. Starting at the corners, with a partner standing on the opposite side, grasp the two out legs, slightly lift the frame off the ground and step backward, stopping at full arms' length.



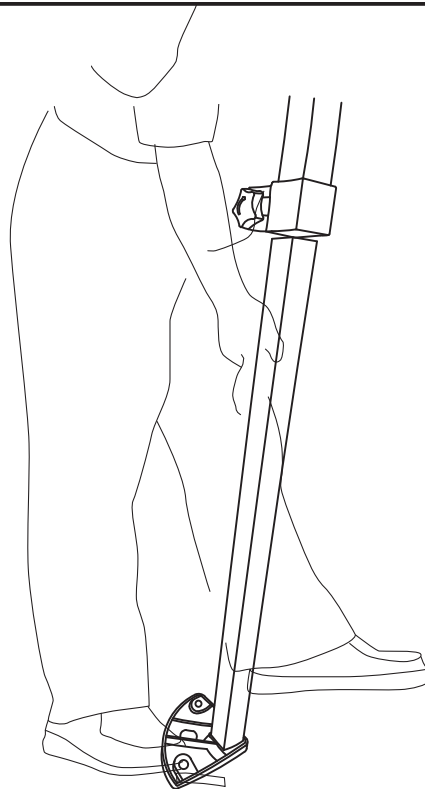
2. Place the Main Canopy over the top frame. Use the Velcro pads to secure each corner of the canopy to the frame under the plastic leg caps.



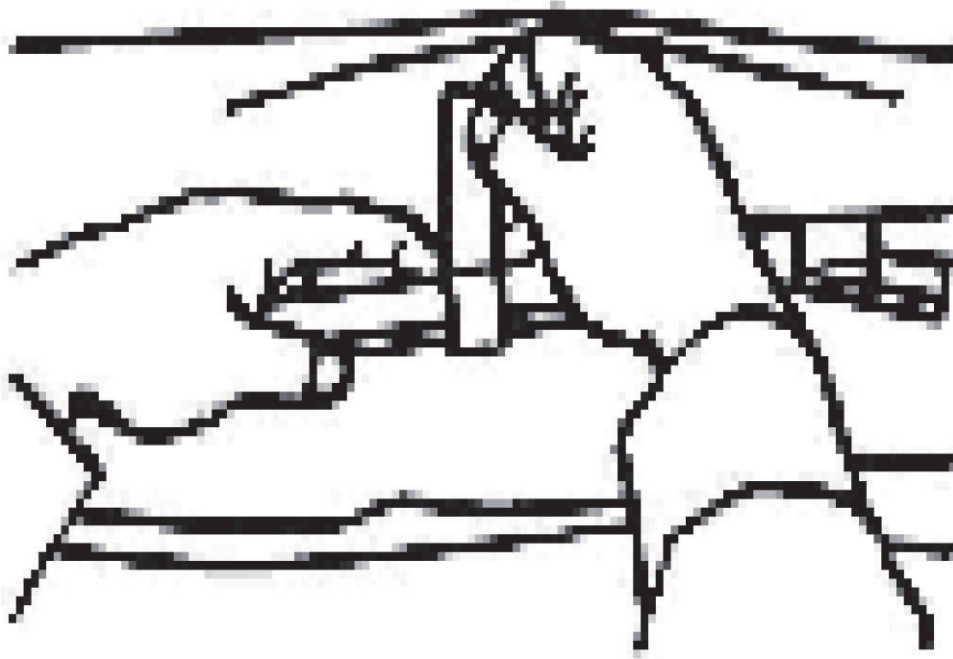
3. Each person should then grasp the bottom of the middle frame section(cross beams) where it forms a diamond. Lift slightly and slowly walk backward until the frame is fully extended. Be careful not to pinch your finger or pull backward too hard as this may result in the bending of cross beams.



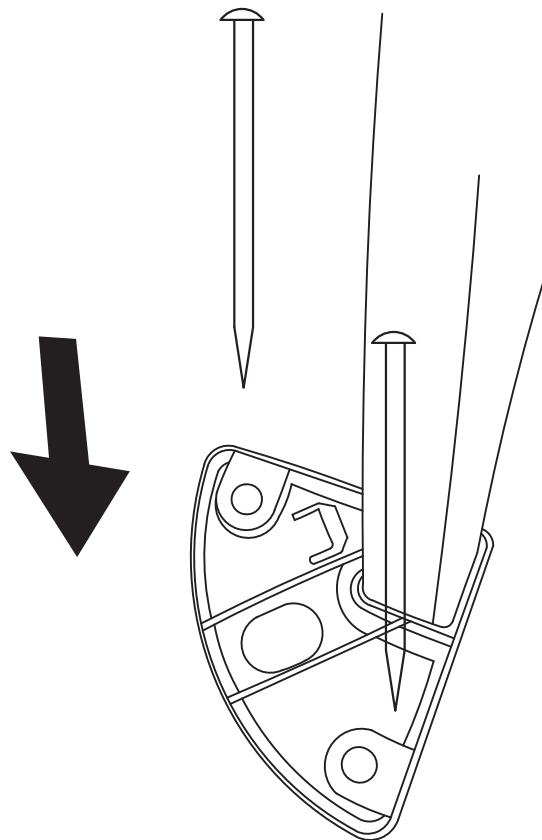
4. Engage the slider at each corner by pushing up the slider with one hand while holding down the top of the leg with the other hand. Repeat this at the rest of corners.



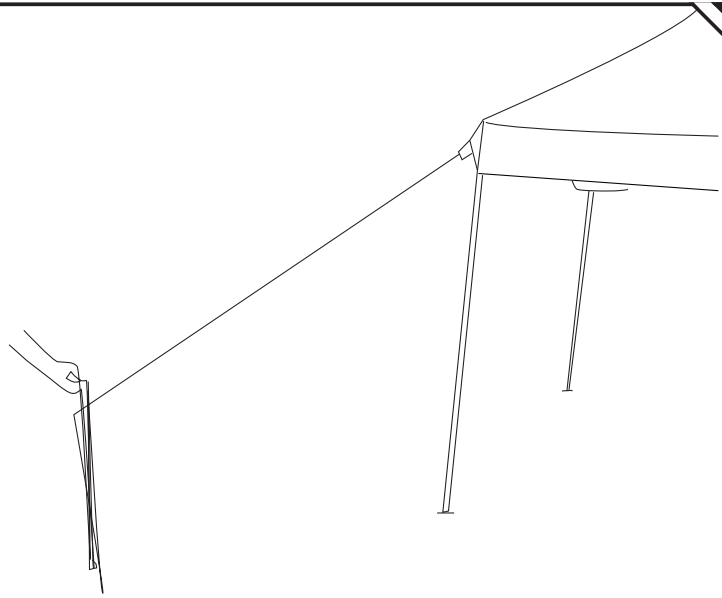
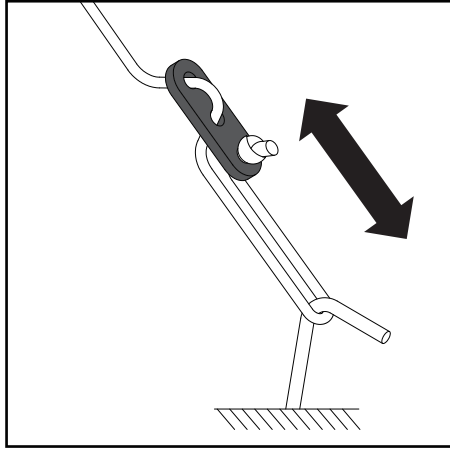
5. Lift two adjacent outer legs and pull out inner legs gently until spring loaded snap button pops in position. Repeat on the other two legs. The gazebo offers two height levels. To adjust, lift the leg up, carefully depress the push button at knuckle and slowly pull out the inner leg until the snap button pops in next position. Repeat on the other legs. Be careful do not overpull the leg and exceed maximum height.



6. Attach the Velcro straps around the frame to secure canopy top.



7. Secure the gazebo by driving a stake down through one of the holes in each foot base.



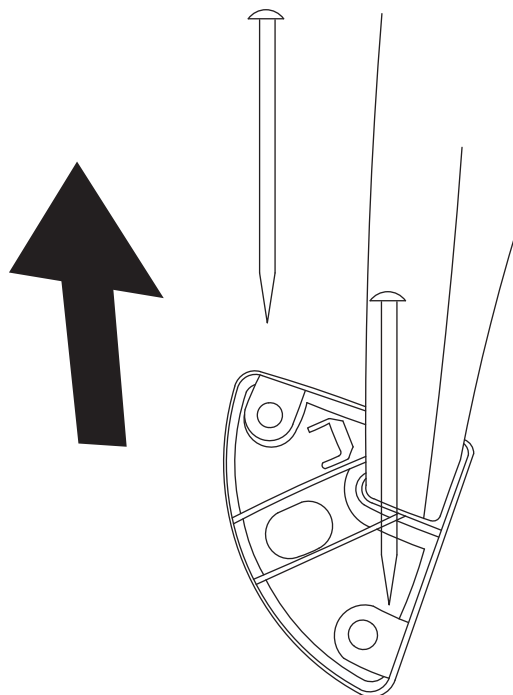
8. Measure out from the leg to a proper distance and secure the four big stakes to ground at a 45 degree angle. Tie up one end of each guide rope to the triangular shaped rope holder located on the outside fabric corners. Tie the other end of each rope to the stake on the ground. Make sure the guide ropes have the proper tension.

Done

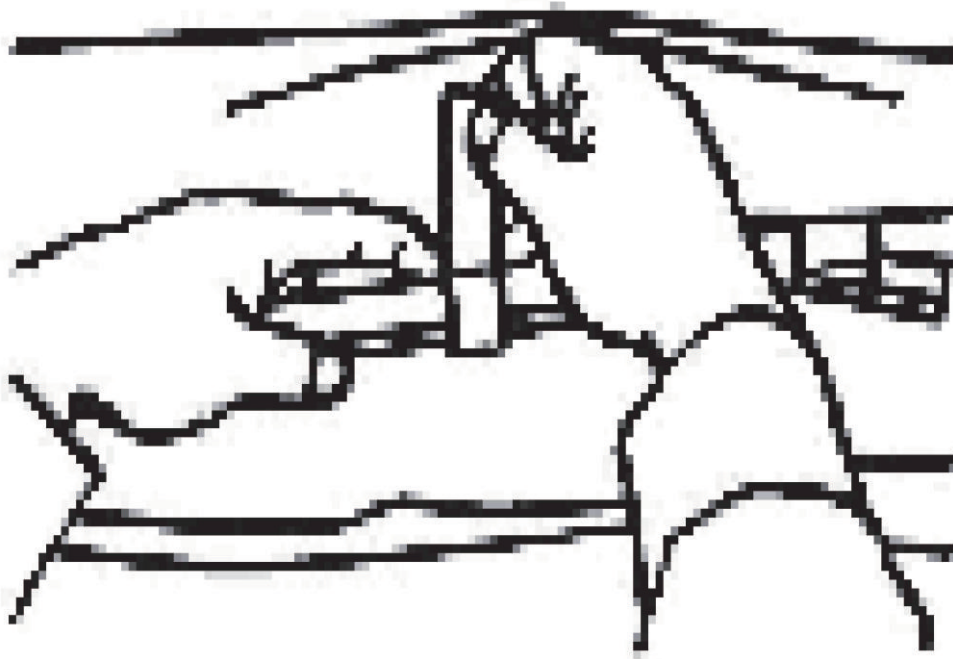
### After Each Use

#### Disassembling the Gazebo

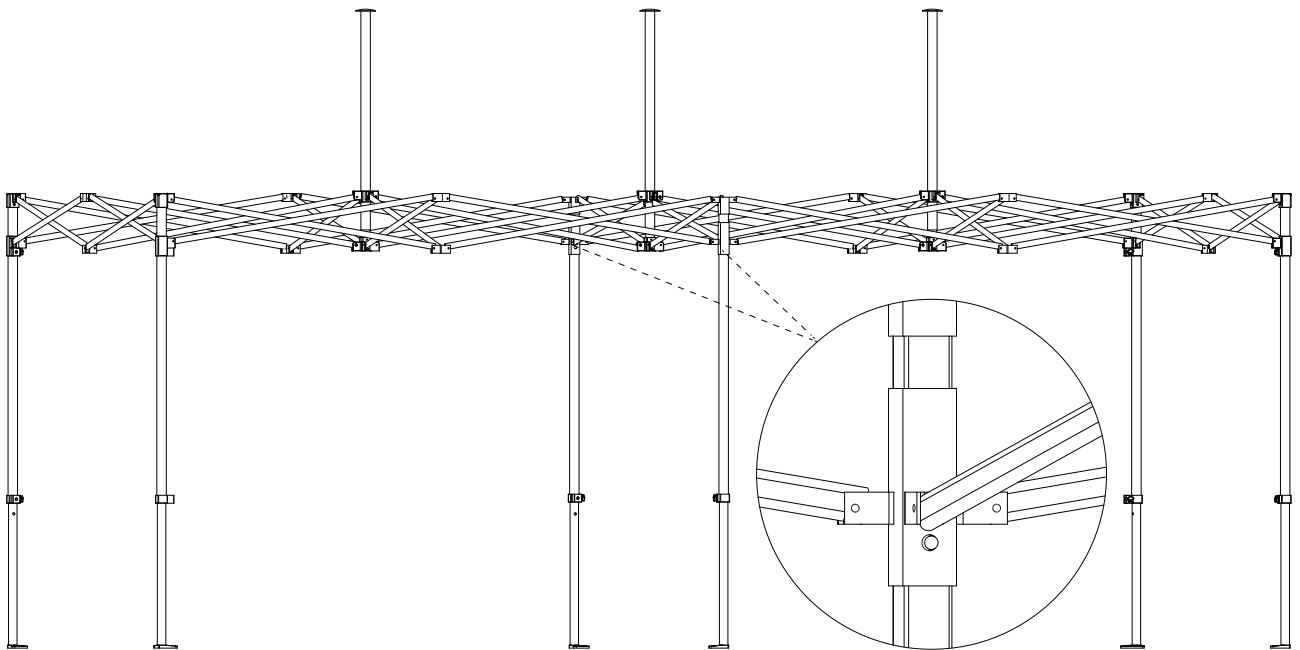
Store all parts (like the stakes) in the corresponding bag to prevent possible tearing or damage to the fabric.



1. Put up all stakes from ground.

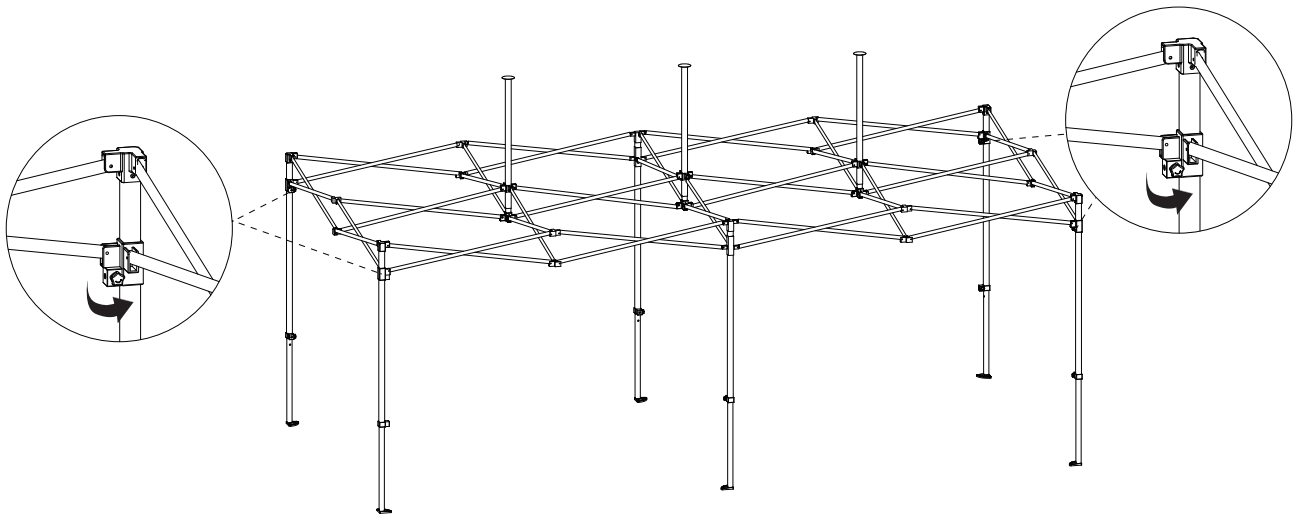


2. Detach Velcro Straps from each side of the canopy frame.



3. Release each push pin on MIDDLE leg and shorten the frame to its original height prior to extending the legs during set-up.

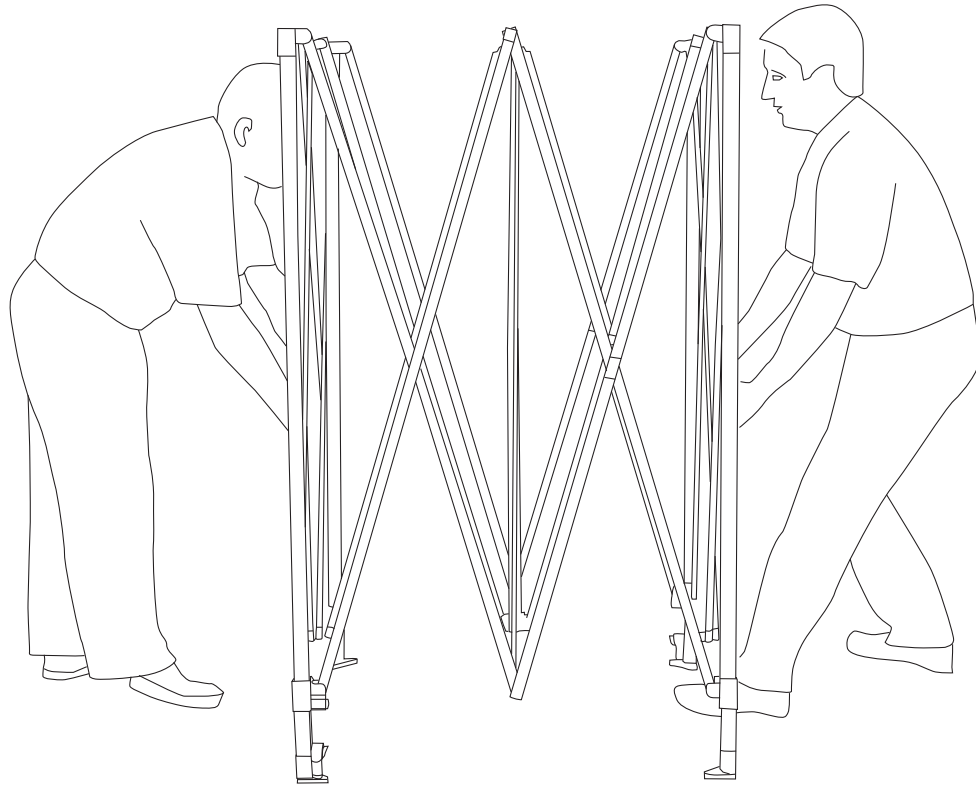




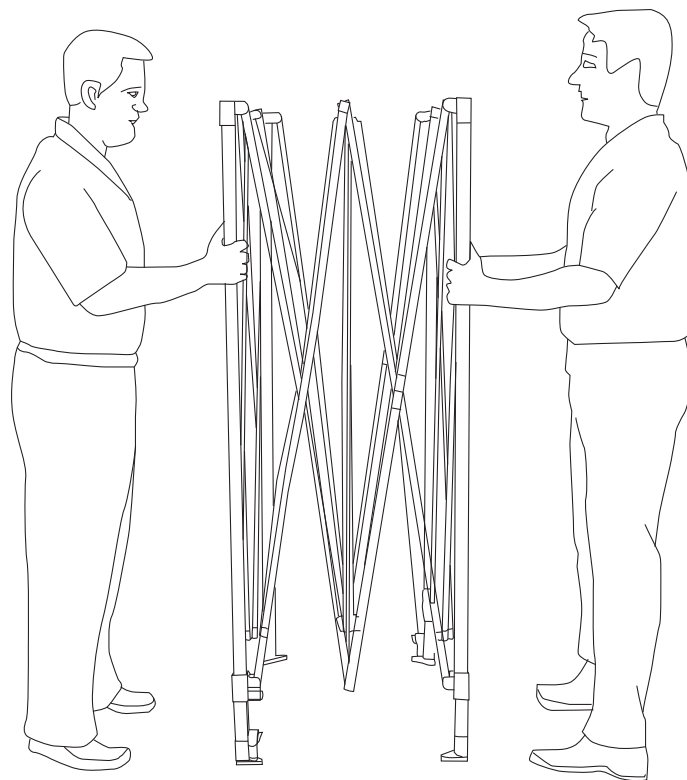
4. Release each knob button on each Corner leg and shorten the frame to its original height prior to extending the legs during set-up.



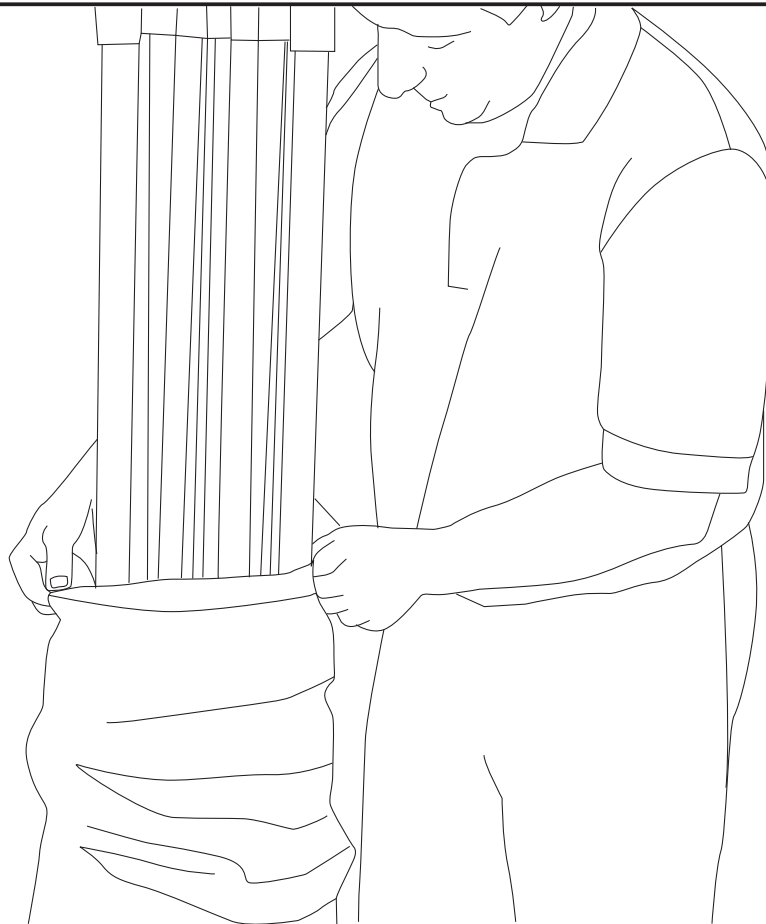
5. With partner on the opposite side, grasp the middle section of the frame and lift up slightly.



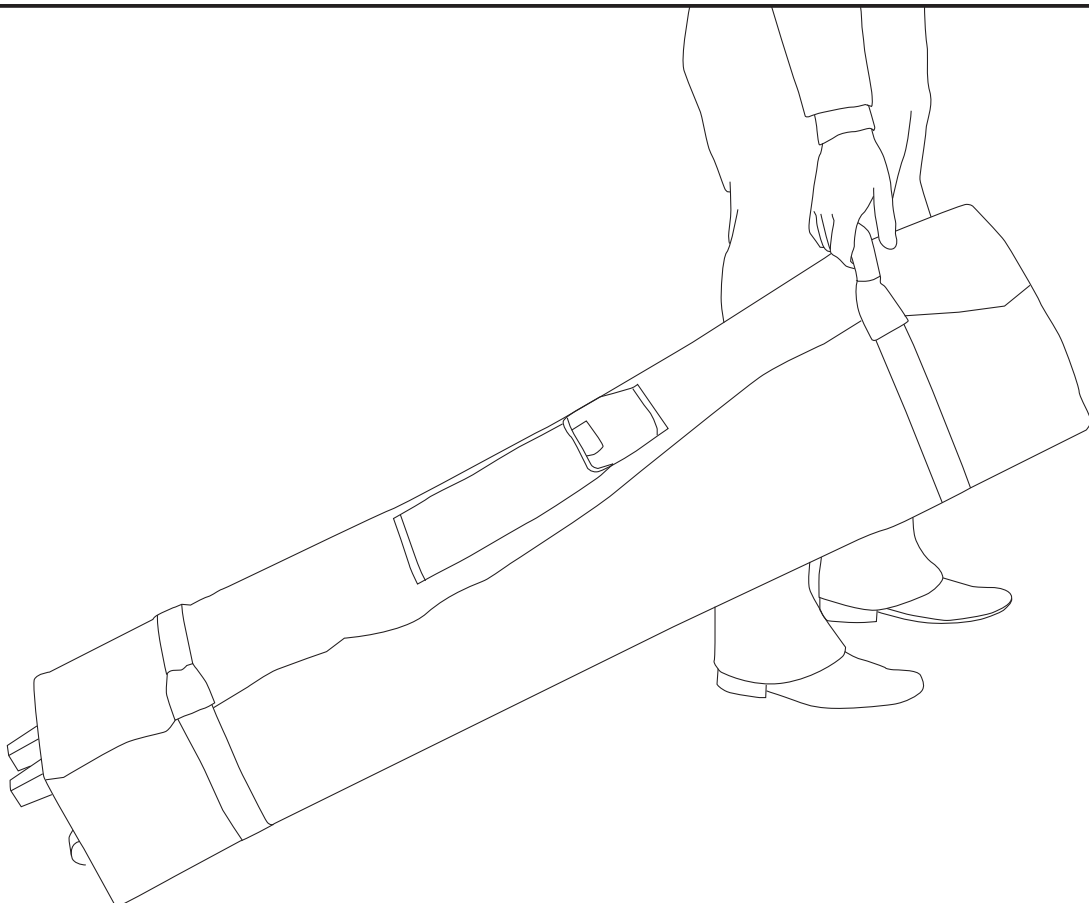
6. Walk forward slowly allowing for the frame to fold inward and close. Be careful not to pinch fingers or hands as you close the frame.



7. Completely close the frame with or without the canopy attached.



8. Place the frame into the storage bag slowly until gazebo fits comfortably. Zip the storage bag completely shut. Be sure the gazebo is completely dry before storage.



9. Wheel your portable gazebo to your desired storage area.

US



001-877-644-9366  
customerservice@aosom.com

CA



001-855-537-6088  
customerservice@aosom.ca

UK



0044-800-240-4004  
enquiries@mhstar.co.uk

DE



0049-(0)40-88307530  
service@aosom.de

FR



0033-1-84166106  
contact@aosom.fr

ES



0034-931294512  
atencioncliente@aosom.es

IT



0039-0249471447  
clienti@aosom.it