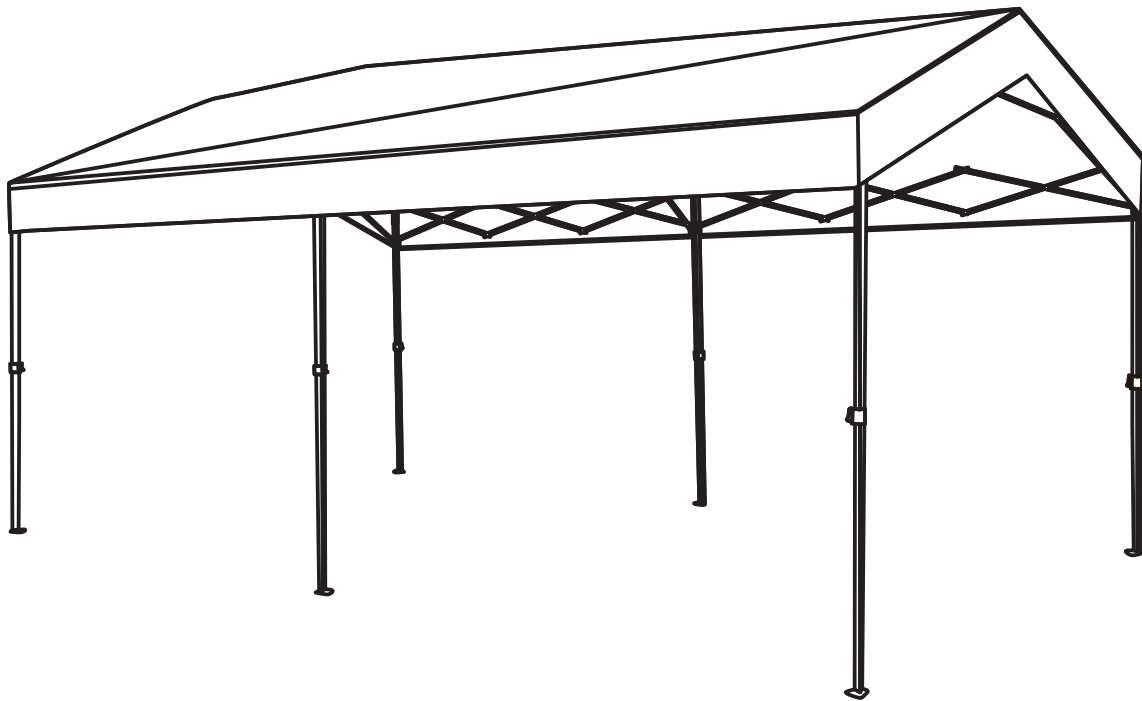




INbra002_US

84C-251



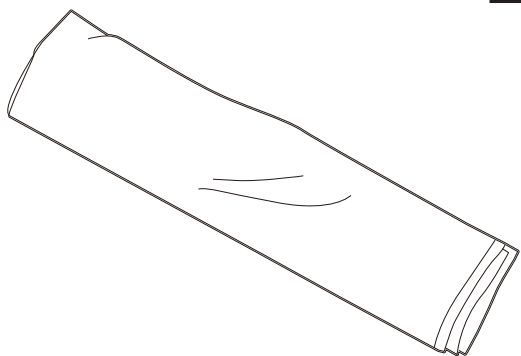
READ AND SAVE THIS INSTRUCTIONS FOR FUTURE USE

ASSEMBLY & INSTRUCTION MANUAL

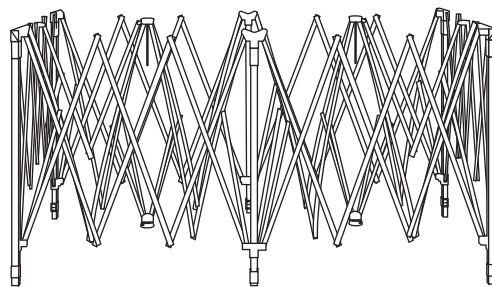
Warning: .

1. A 3 person assembly is required for this tent.
2. Please take appropriate actions as heavy rain, wind and snow can damage the tent. If necessary please dis-assemble and store for later use.
3. In snowy conditions please do not allow the thickness of the snow to be more than 5cm on the roof, this should be cleared as soon as possible for your safety.

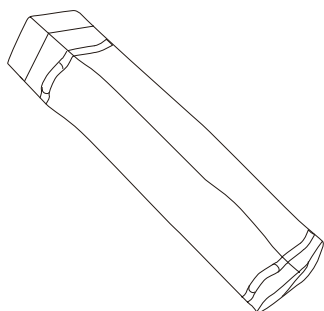
① x 1



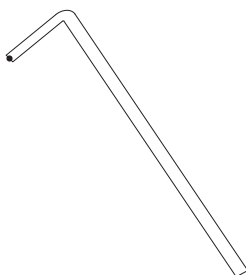
② x 1



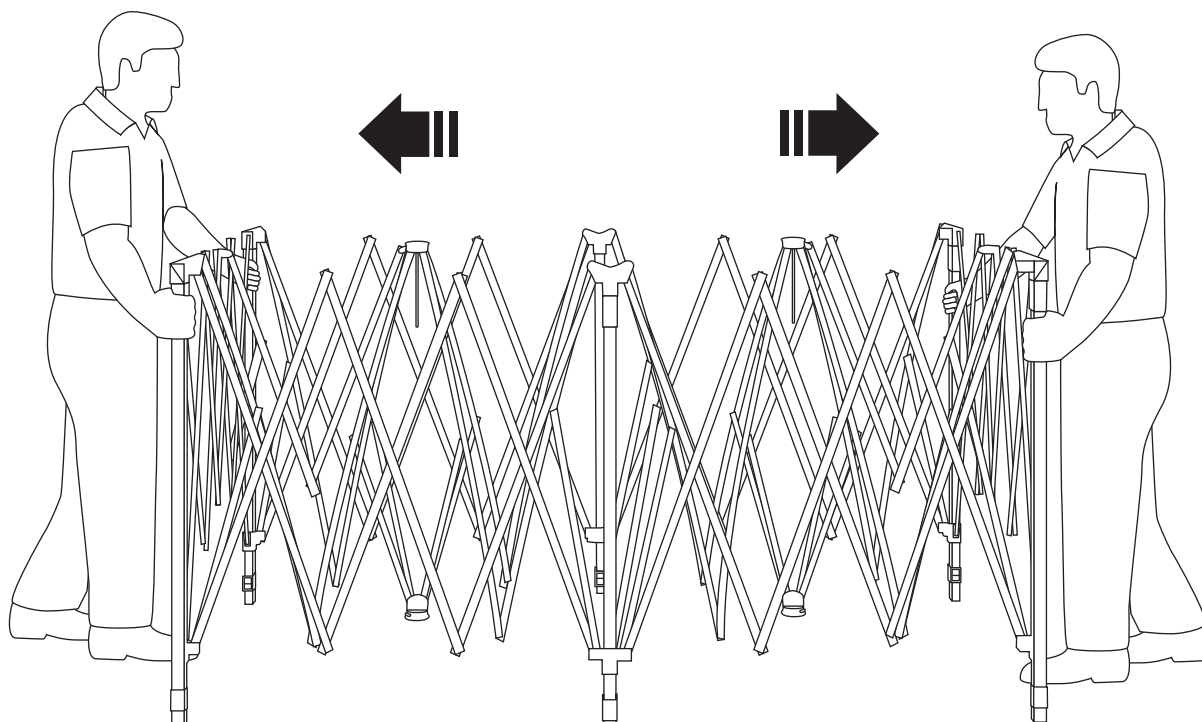
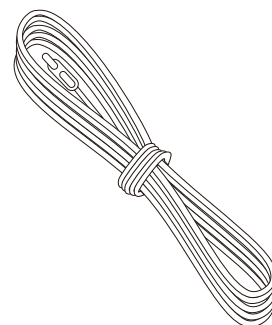
③ x 1



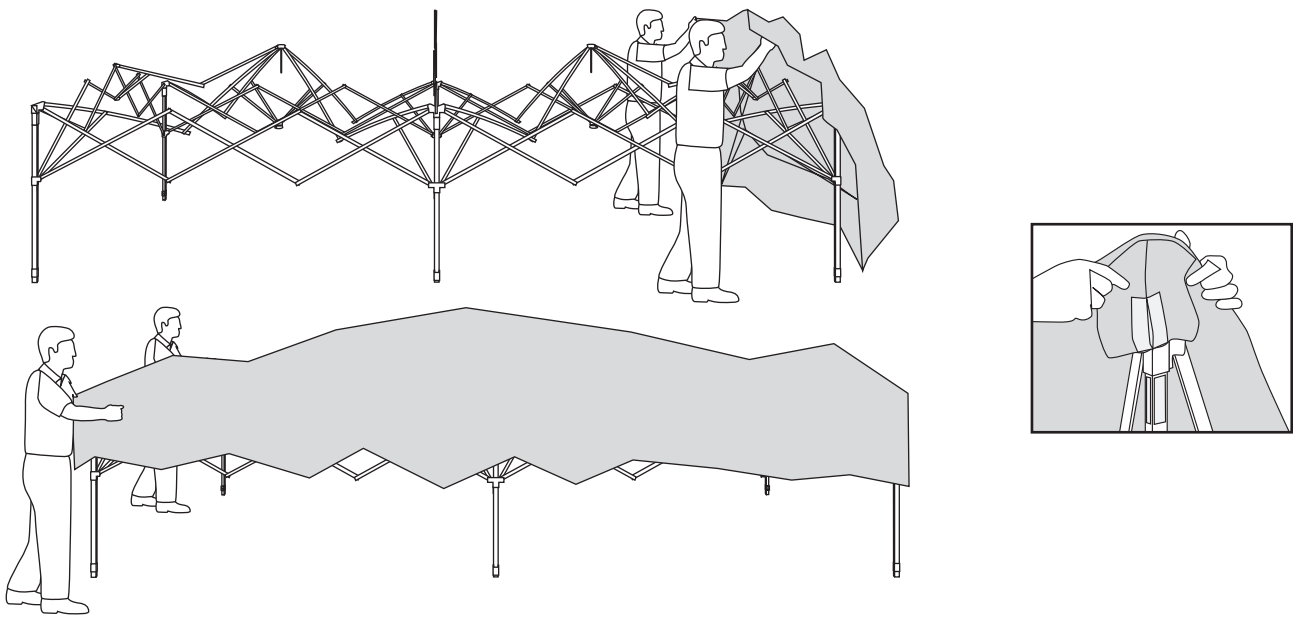
④ x 16



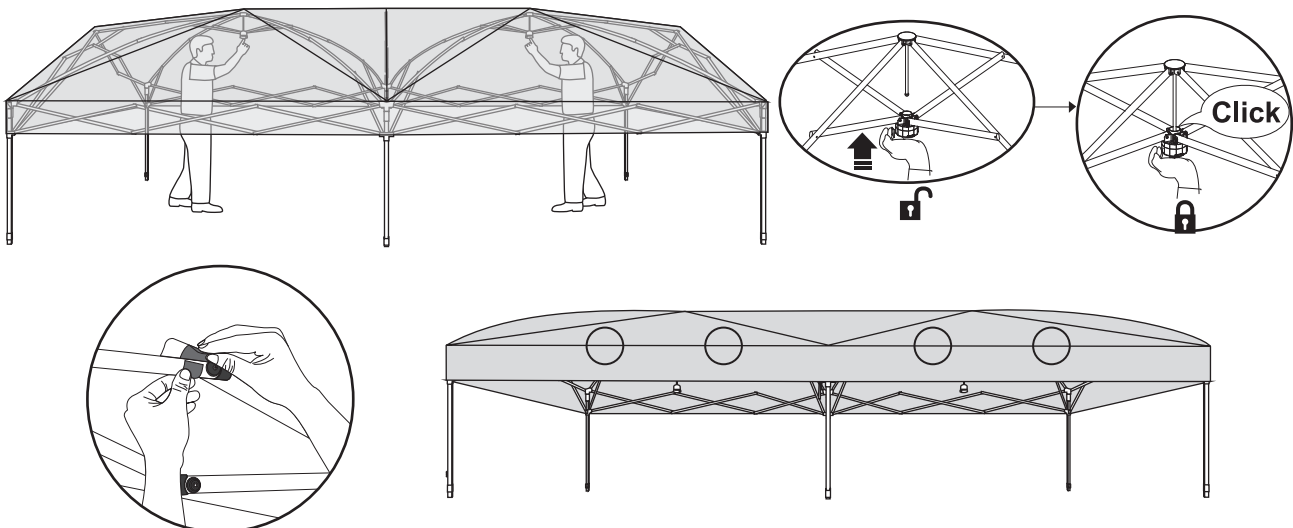
⑤ x 4



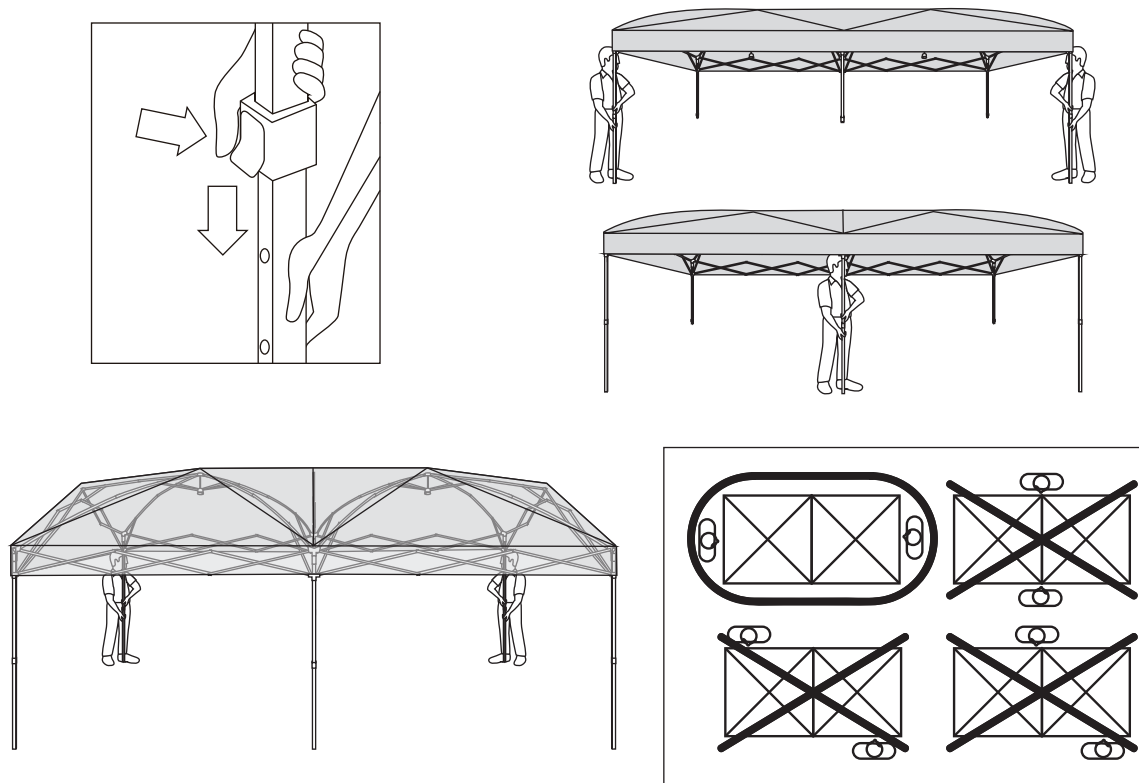
1. With two persons on the diagonal ends, lift and partially pull the canopy frame apart.



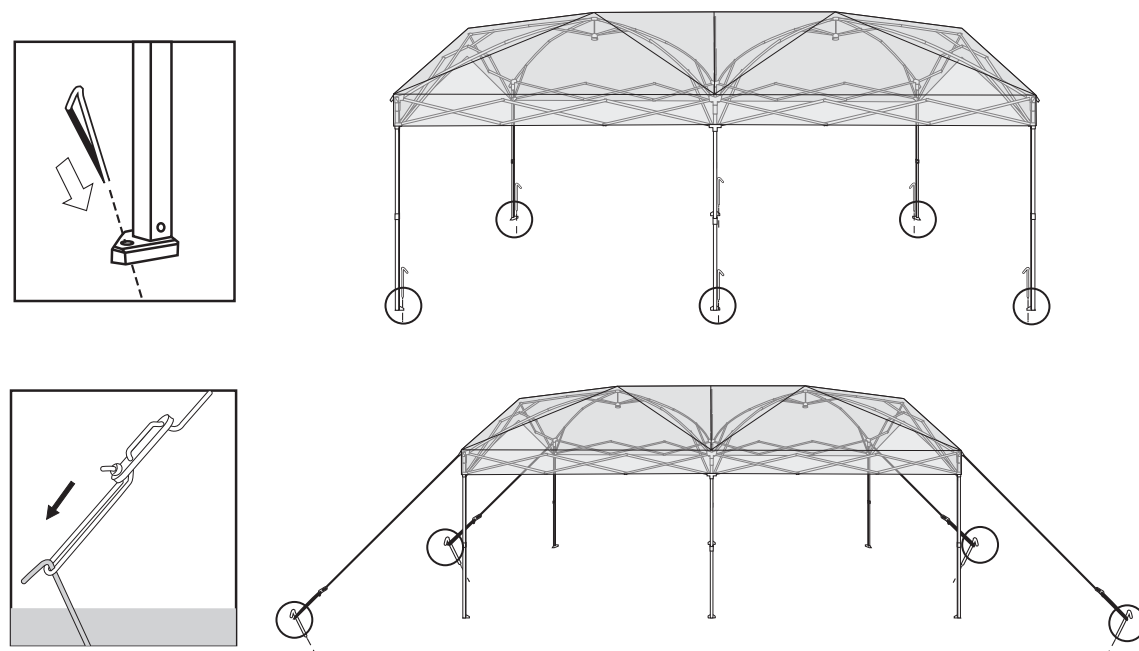
2. Unfold the large canopy top and place it over the open frame. Attach the four canopy corners to the top corner of leg tube .



3. Under the canopy, place one hand on the upper frame and use the other hand to push the central hub straight up until it clicks into the central pole. Finish attaching the large canopy inside the canopy frame using the Velcro loops.

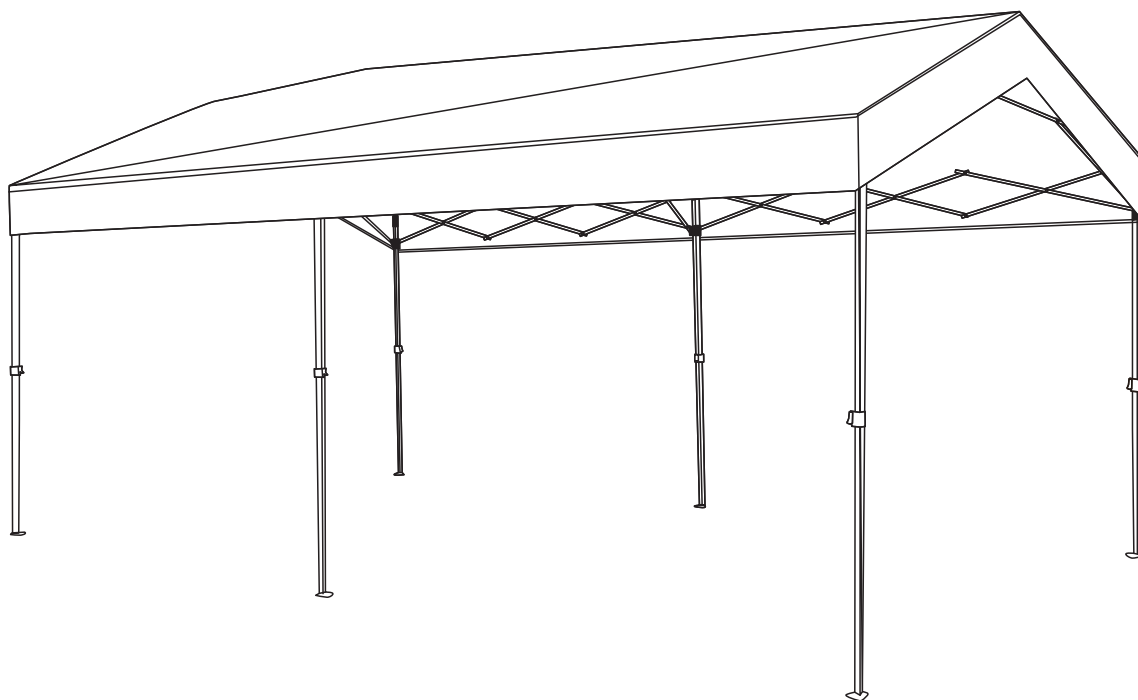


4. Press the red button on each leg and raise or lower to adjust the canopy height.



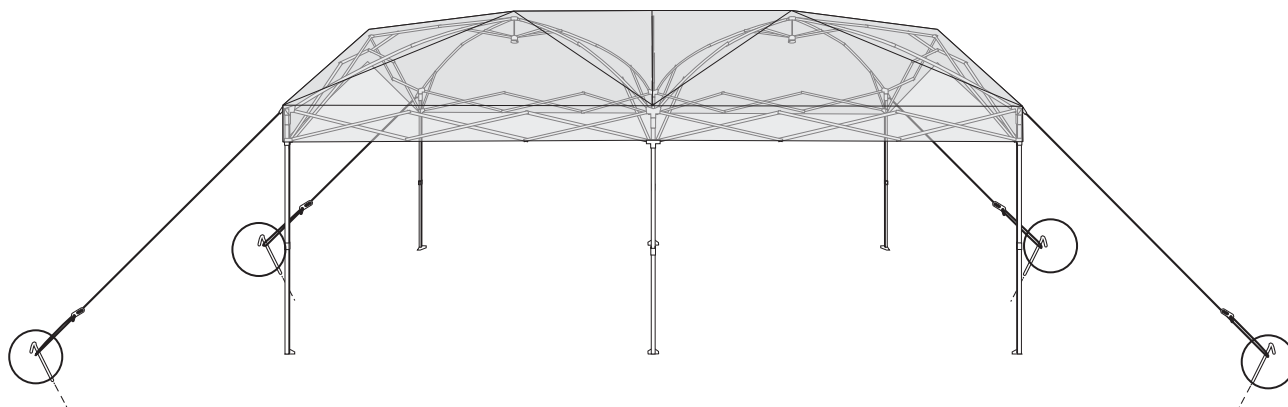
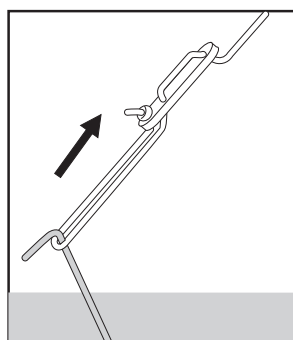
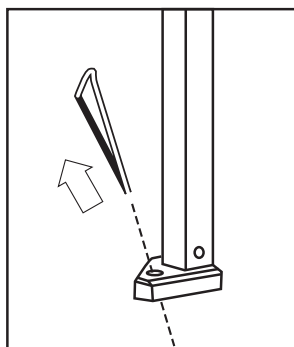
5. Attach the ropes to the plastic rings on the awning and tie the ropes to the stakes in the ground. Ensure the ropes have the proper tension by adjusting the plastic adjusters on the ropes.

Done

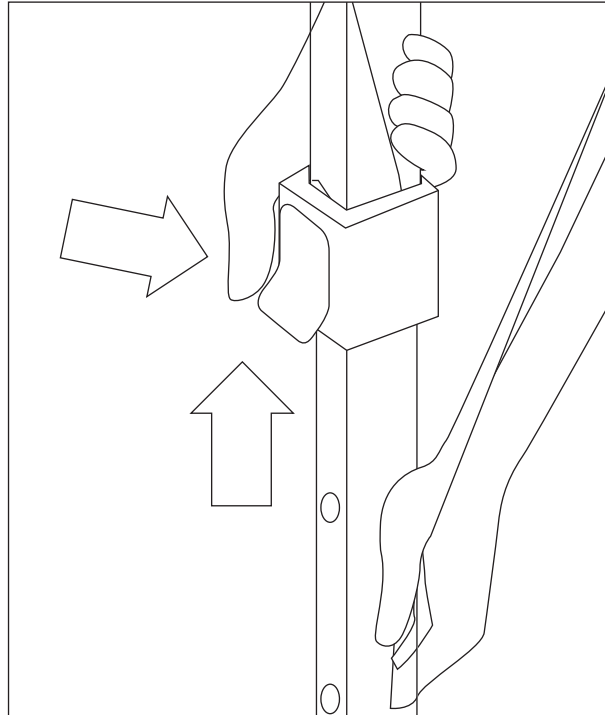


After Each Use

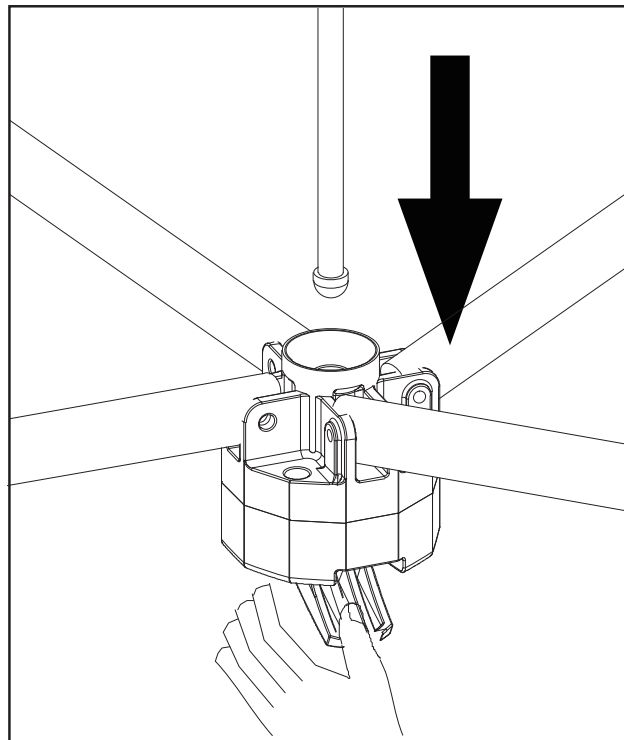
01



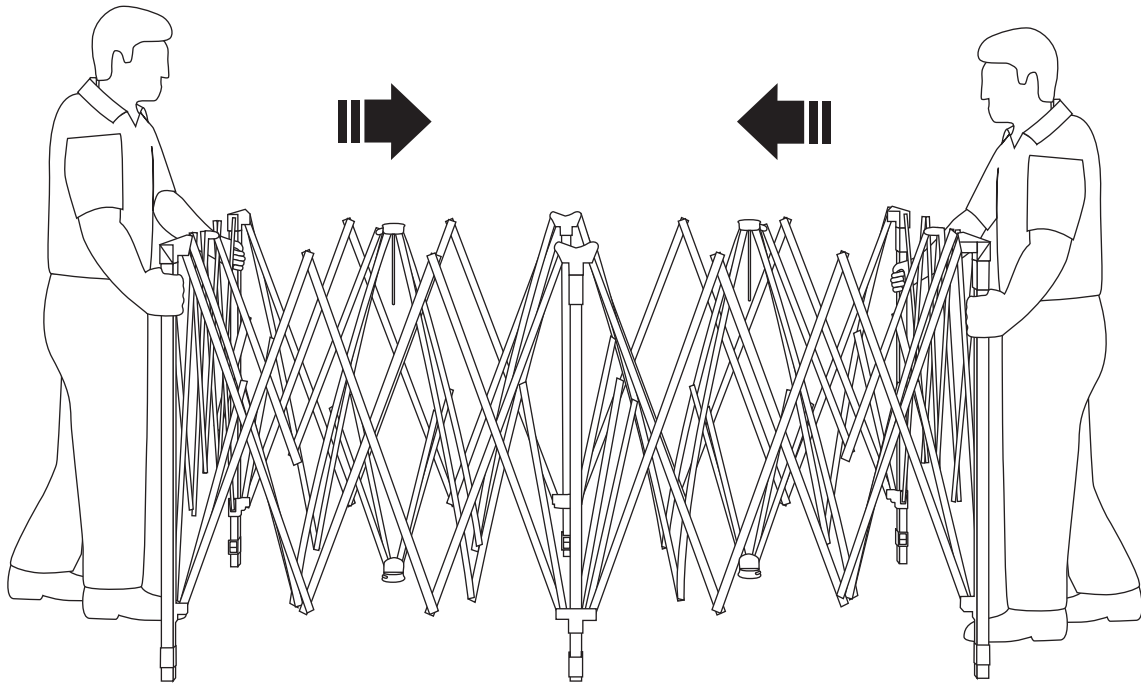
1. Release the ropes from the plastic rings. Pull up all stakes from the ground.



2. Press the red button on each leg and retract the legs to their original height.



3. Get in the underneath of canopy, rotate counterclockwise the central bottom hub to unlock the frame.



4. Lift one corner of the frame until all legs are raised off the ground except for the 1 leg on the opposite corner. Push inward until the frame is fully closed.



5. With the canopy feet facing the rollers, slide the wheeled storage bag over the closed canopy frame. Close the zipper on the wheeled storage bag.

US



001-877-644-9366
customerservice@aosom.com

CA



001-855-537-6088
customerservice@aosom.ca

UK



0044-800-240-4004
enquiries@mhstar.co.uk

DE



0049-(0)40-88307530
service@aosom.de

FR



0033-1-84166106
contact@aosom.fr

ES



0034-931294512
atencioncliente@aosom.es

IT



0039-0249471447
clienti@aosom.it