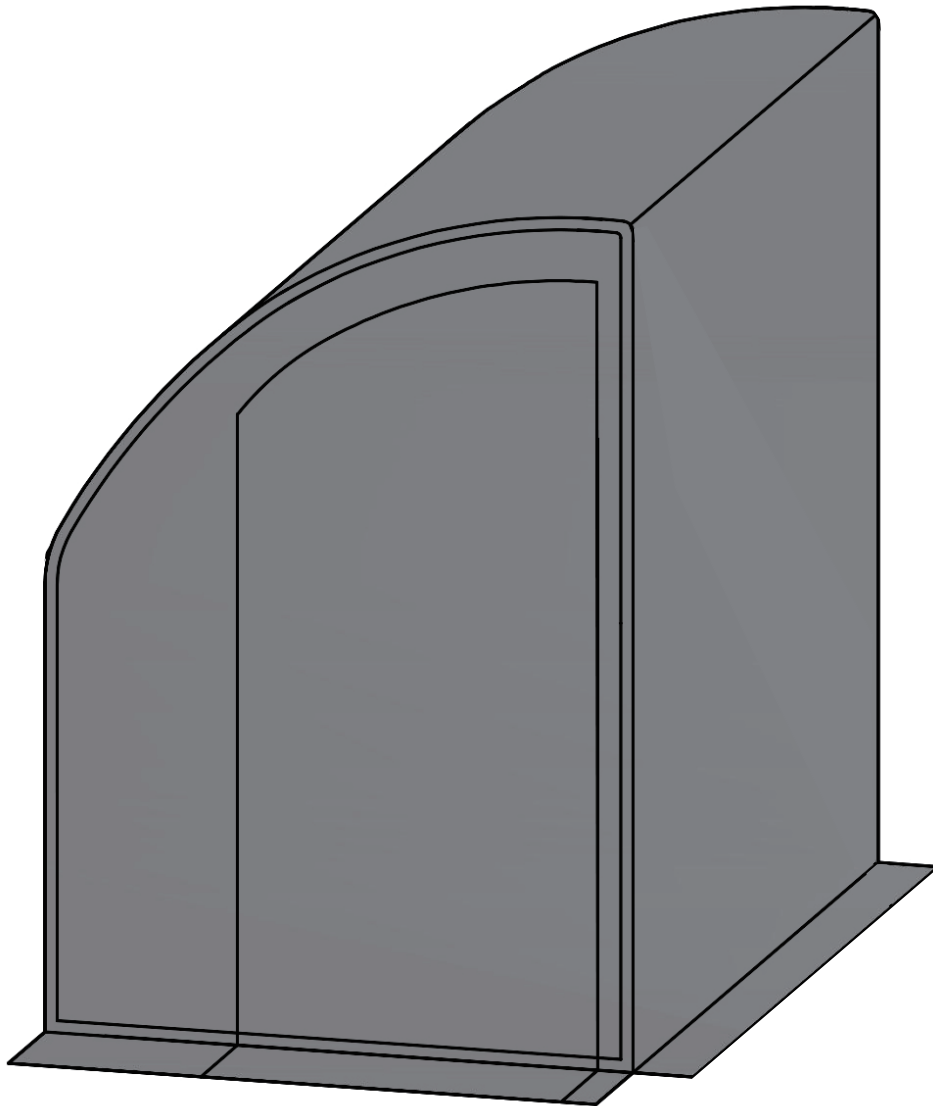




INbva002\_GL

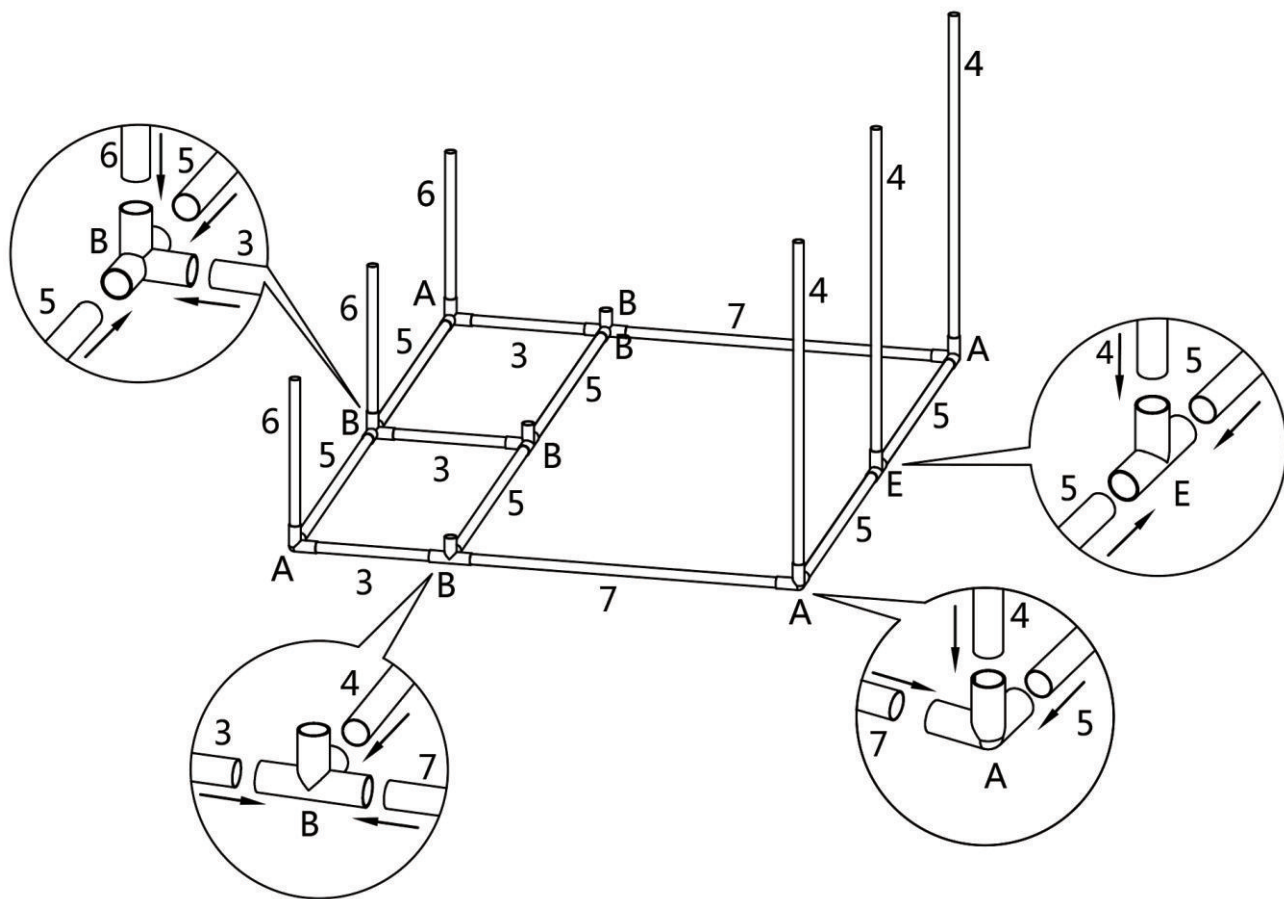
**845-304**

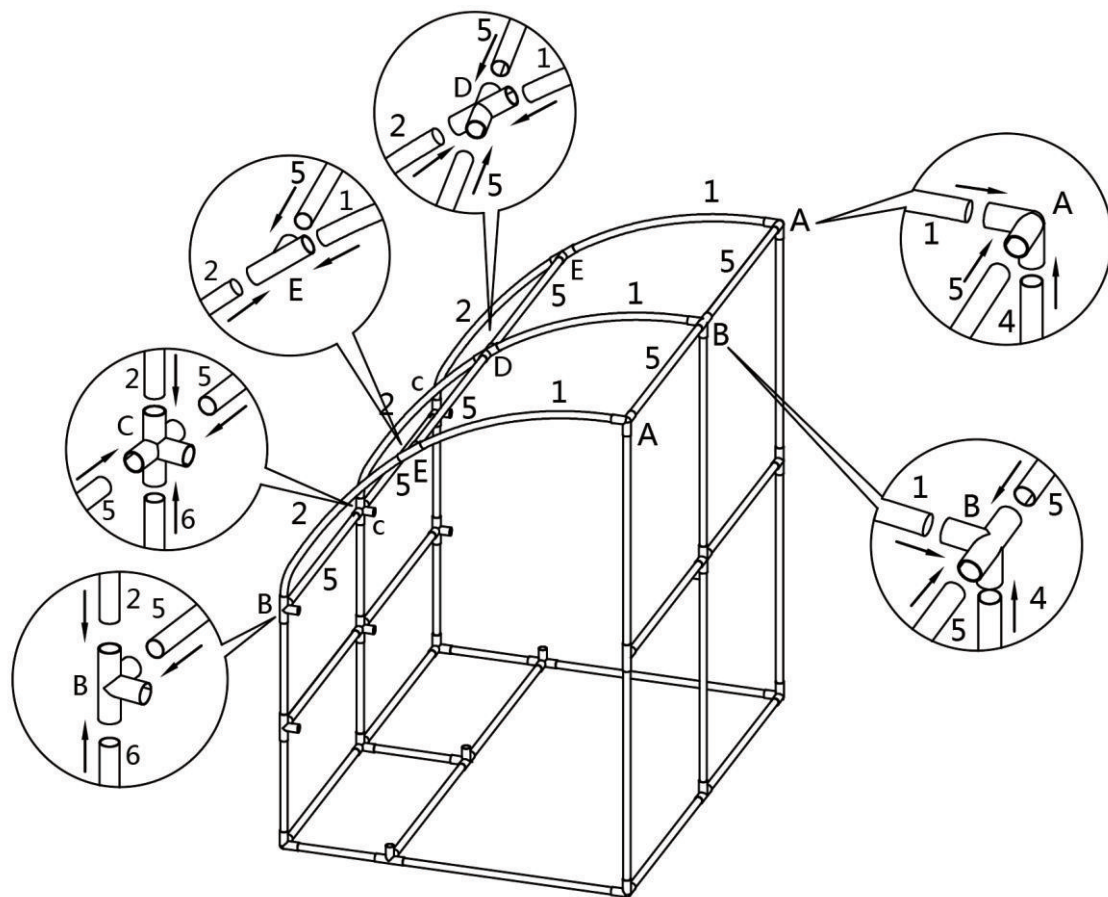
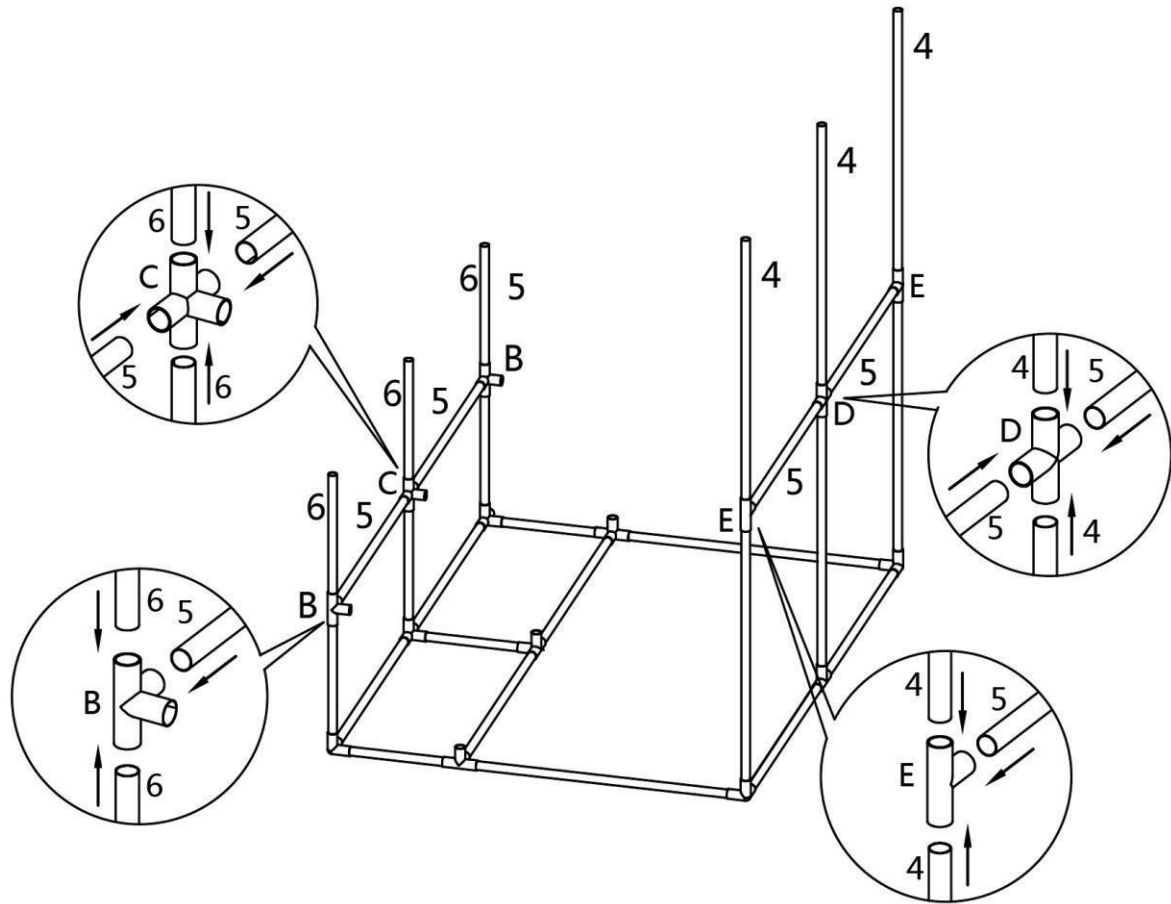


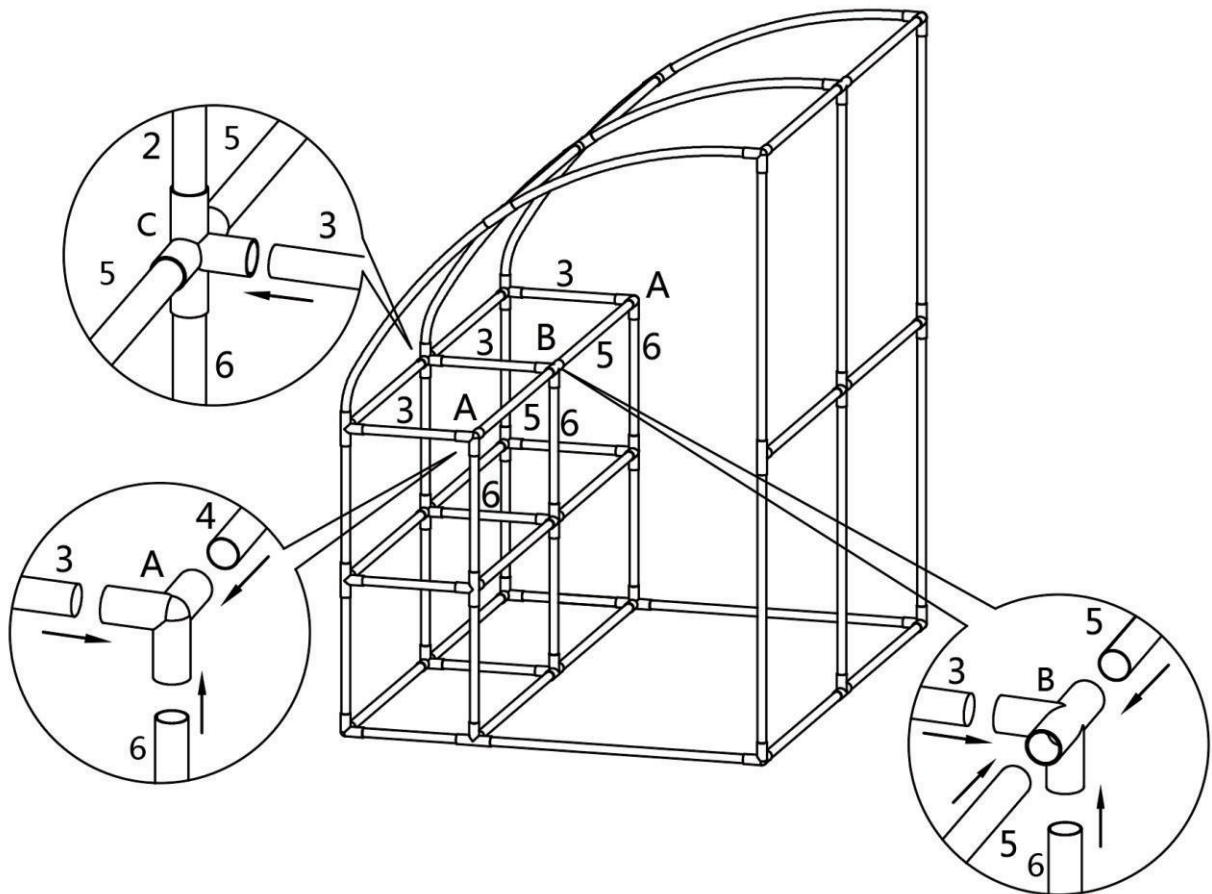
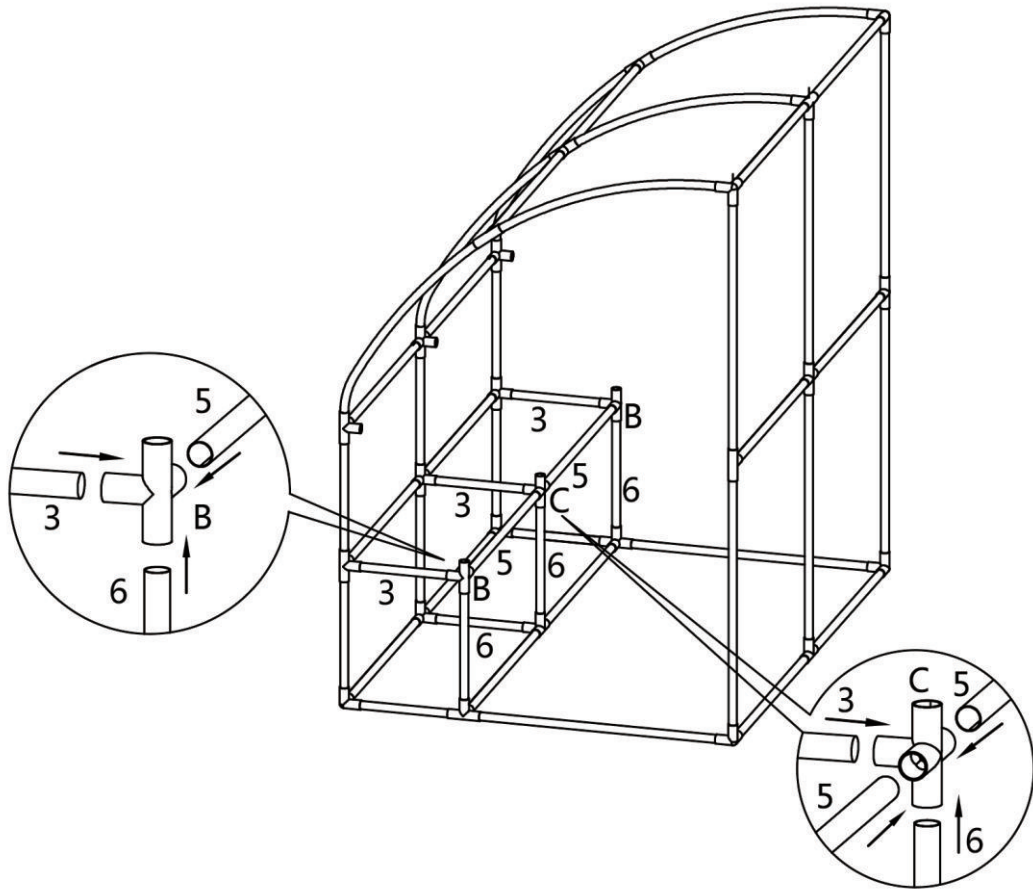
READ AND SAVE THIS INSTRUCTIONS FOR FUTURE USE

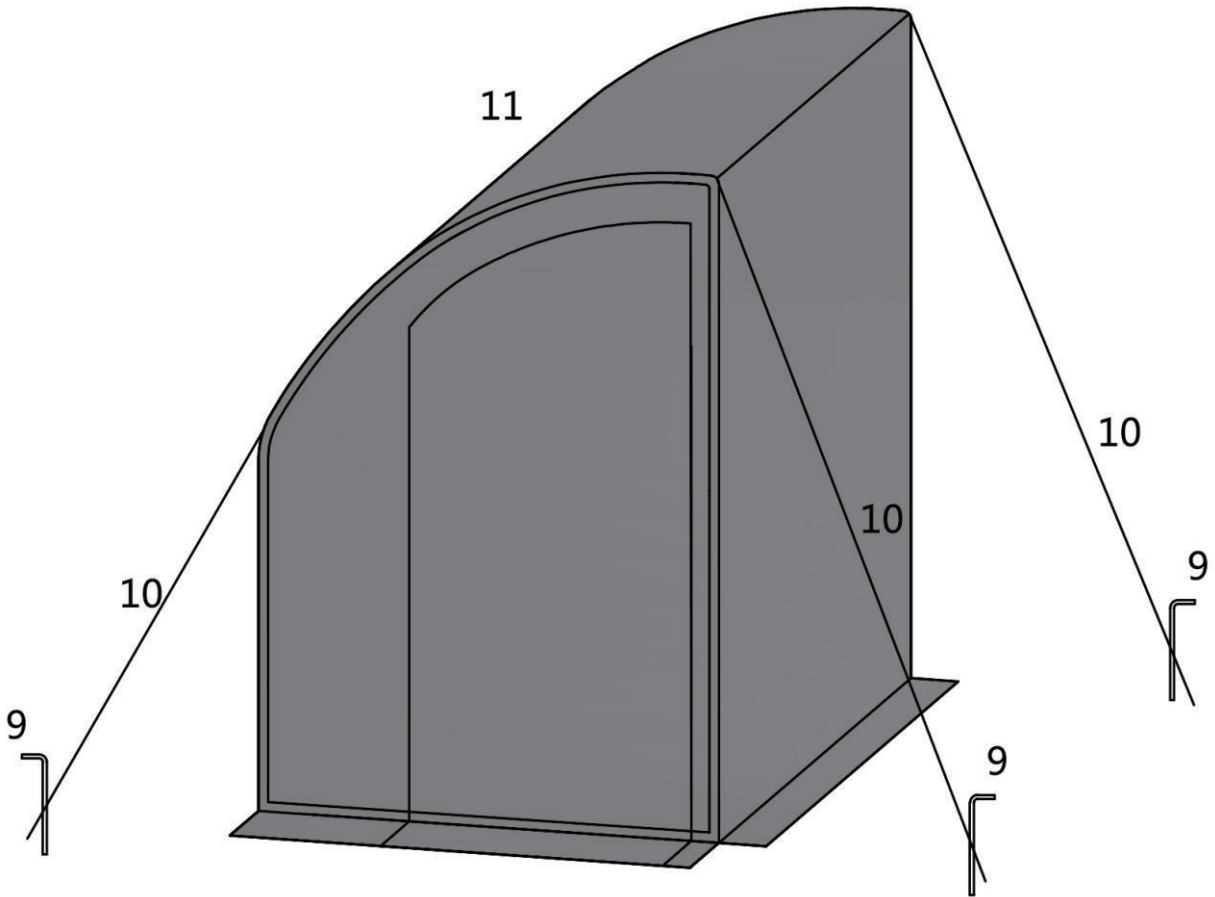
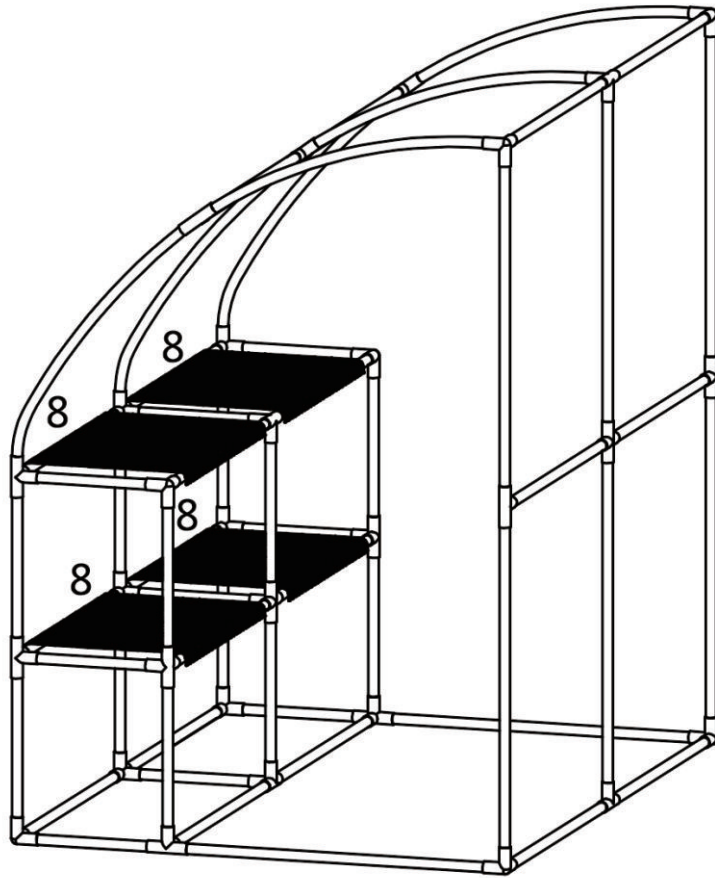
**ASSEMBLY & INSTRUCTION MANUAL**

<b>①</b> x 3	<b>⑤</b> x 20	<b>⑨</b> x 4	<b>B</b> x 12
<b>②</b> x 3	<b>⑥</b> x 12	<b>⑩</b> x 4	<b>C</b> x 3
<b>③</b> x 9	<b>⑦</b> x 2	<b>⑪</b> x 1	<b>D</b> x 2
<b>④</b> x 6	<b>⑧</b> x 4	<b>A</b> x 8	<b>E</b> x 5









US



001-877-644-9366  
customerservice@aosom.com

CA



001-855-537-6088  
customerservice@aosom.ca

UK



0044-800-240-4004  
enquiries@mhstar.co.uk

DE



0049-(0)40-88307530  
service@aosom.de

FR



0033-1-84166106  
contact@aosom.fr

ES



0034-931294512  
atencioncliente@aosom.es

IT



0039-0249471447  
clienti@aosom.it