



INbva013V02_GL

845-407



IMPORTANT, RETAIN FOR FUTURE REFERENCE: READ CAREFULLY

ASSEMBLY & INSTRUCTION MANUAL

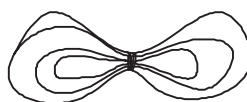
A x 1



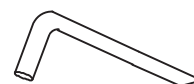
B x 1



C x 4



D x 4



01

B



A

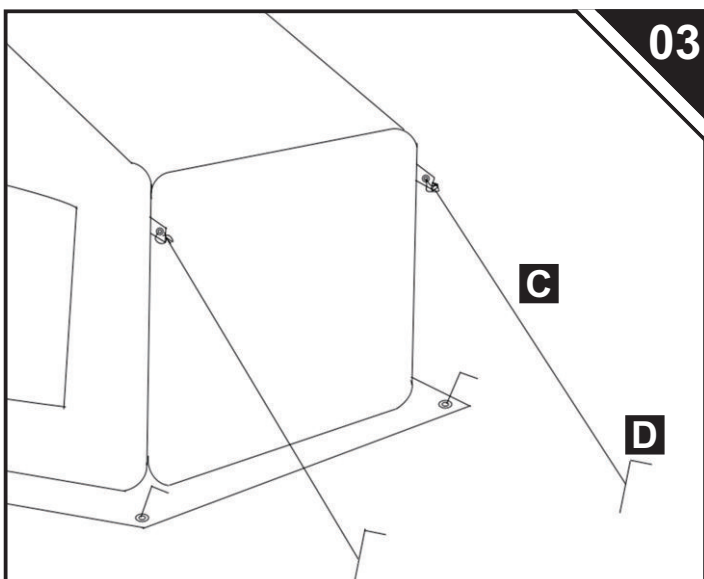
02



03

C

D



STOWED AWAY

04



