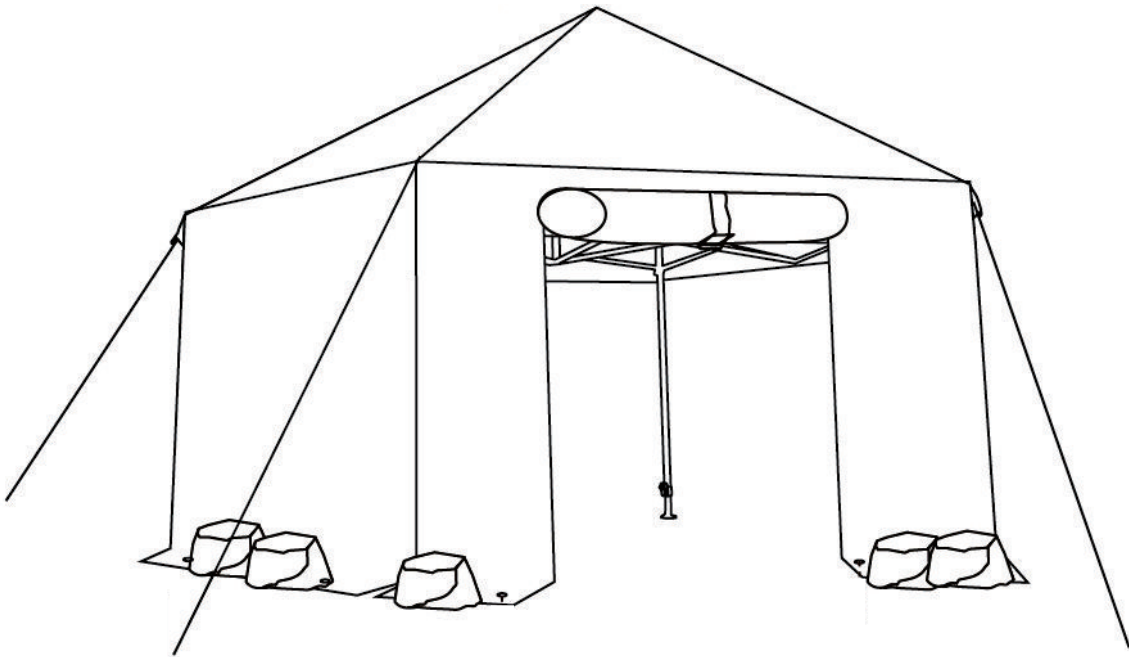




INbva014_US_UK

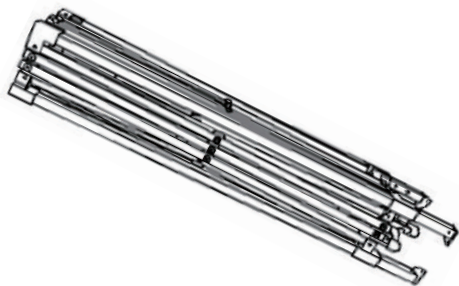
845-414_845-414V01



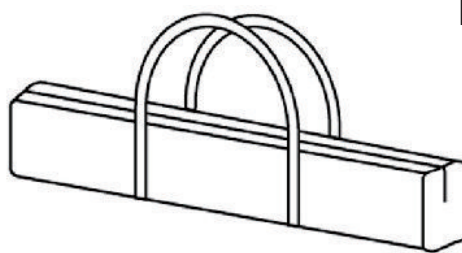
READ AND SAVE THIS INSTRUCTIONS FOR FUTURE USE

ASSEMBLY & INSTRUCTION MANUAL

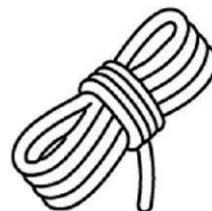
A x 1



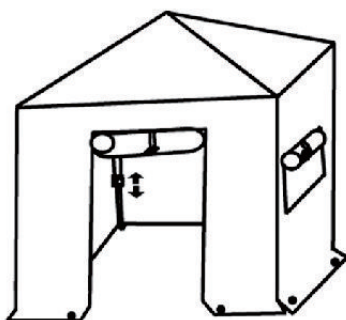
C x 1



D x 4



B x 1



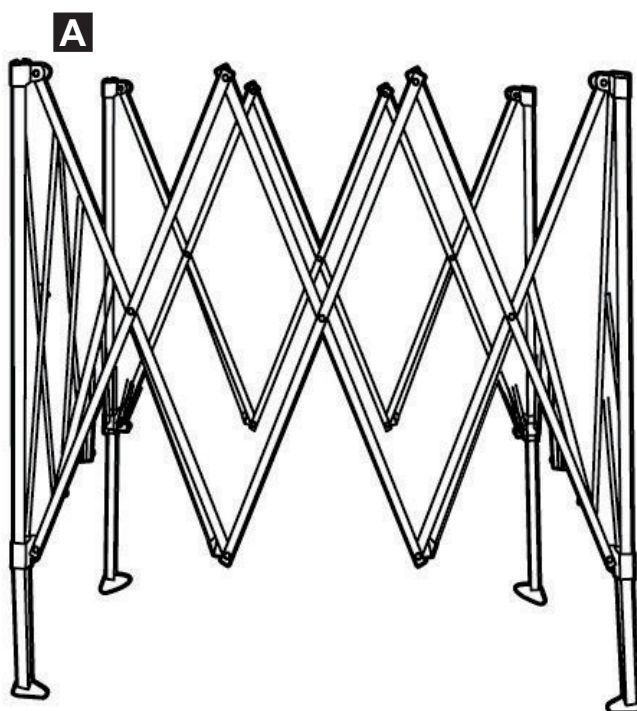
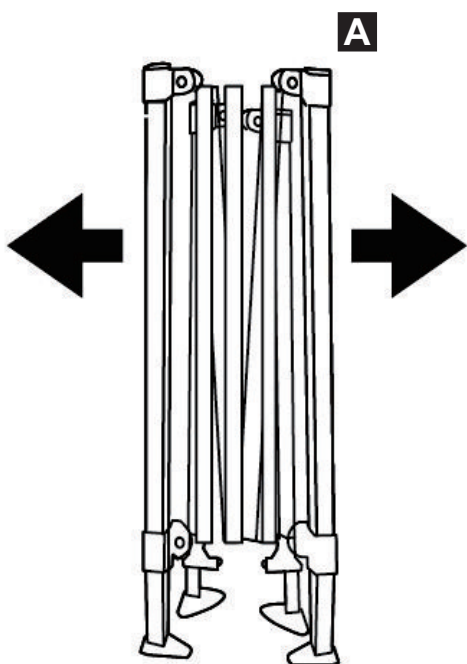
E x 16



1. OPEN THE GREENHOUSE FRAME.

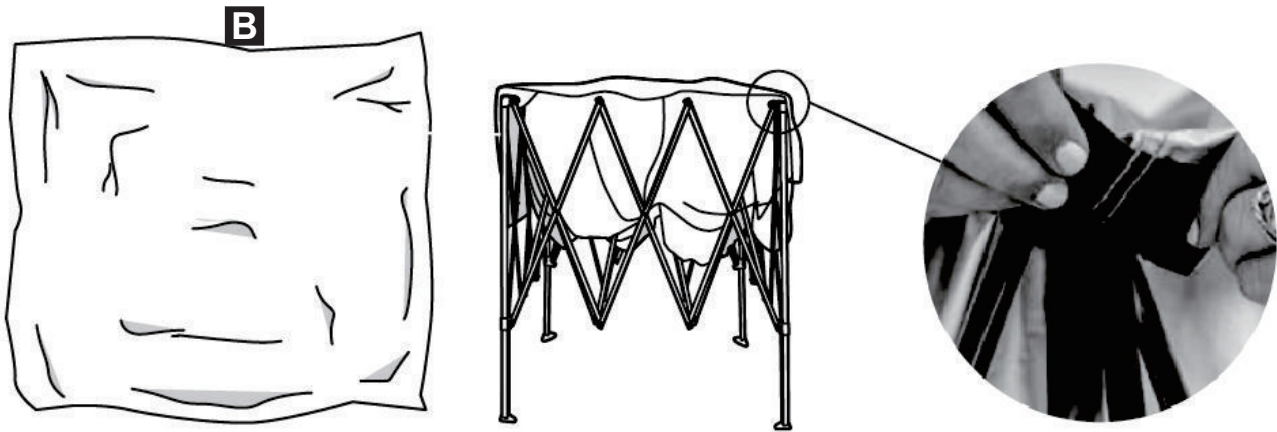
- With a person on each end lift and partially pull the greenhouse frame apart.

01



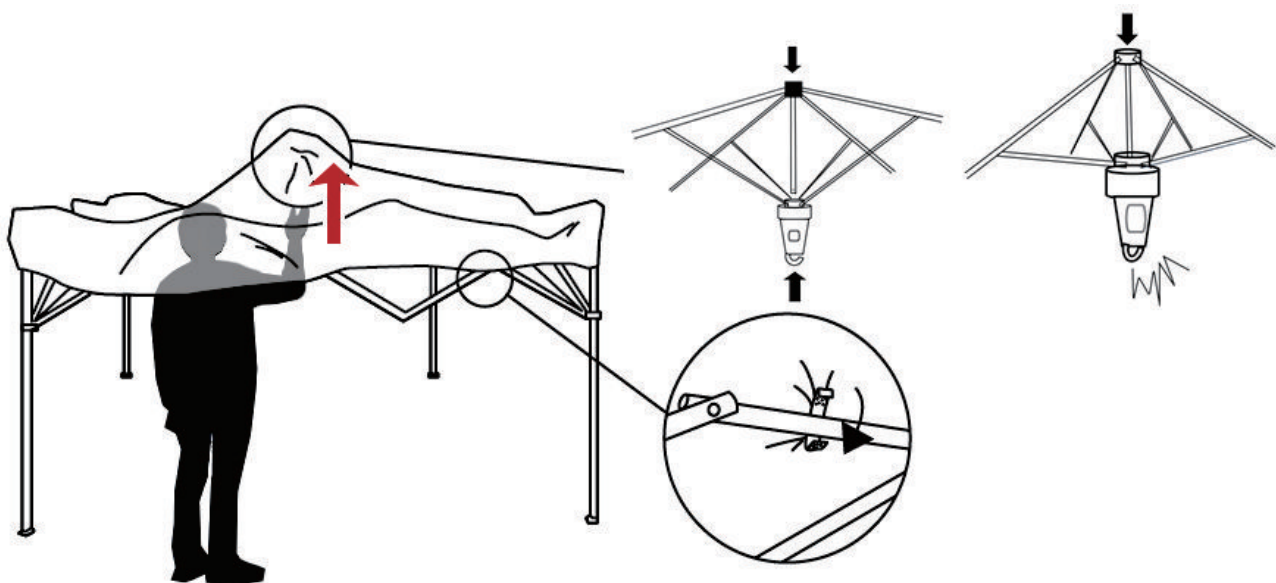
2. ATTACH THE GREENHOUSE TOP

- Unfold the greenhouse top and place it on top of the greenhouse frame.
- Secure the greenhouse top to the corners of the green-house frame, using the Velcro connections.



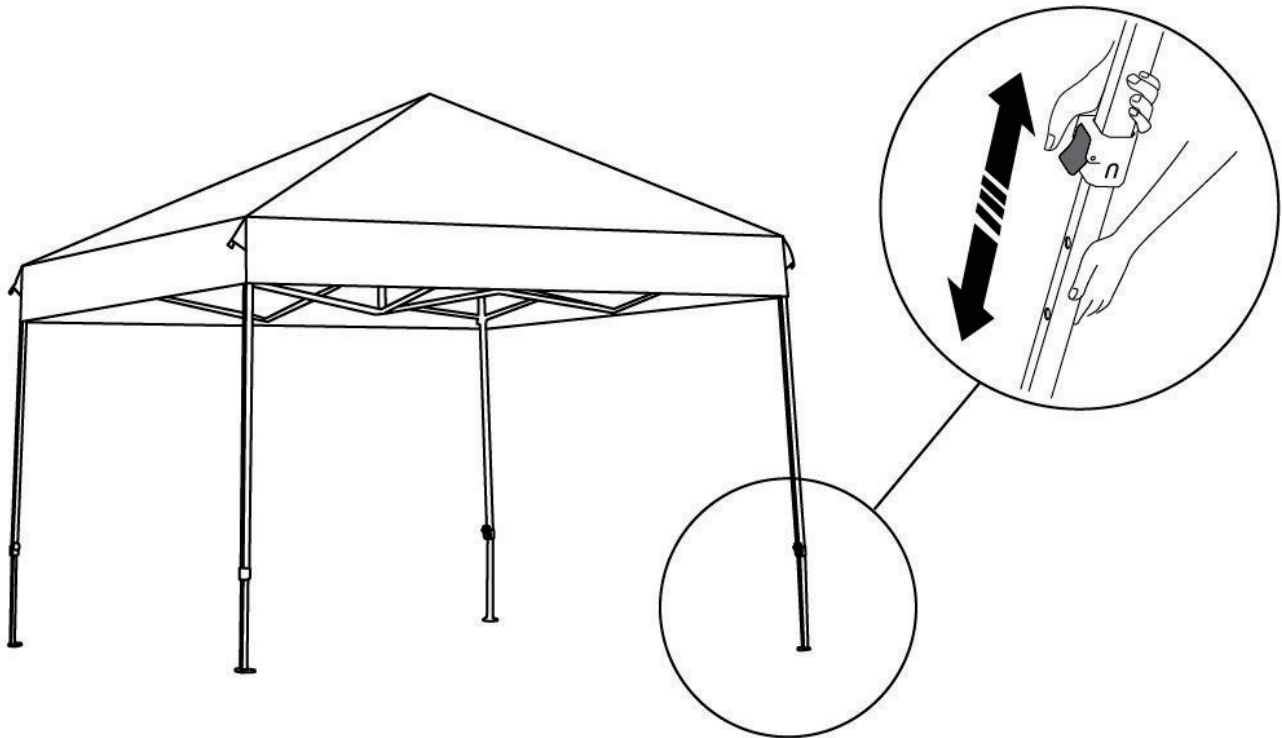
3. LOCK THE FRAME

- From under the greenhouse, place one hand on the upper frame and use the other hand to push the central hub straight up until it clicks into the central pole.
- Fix the cover to the frame using the Velcro loops and adjust it in a proper way.



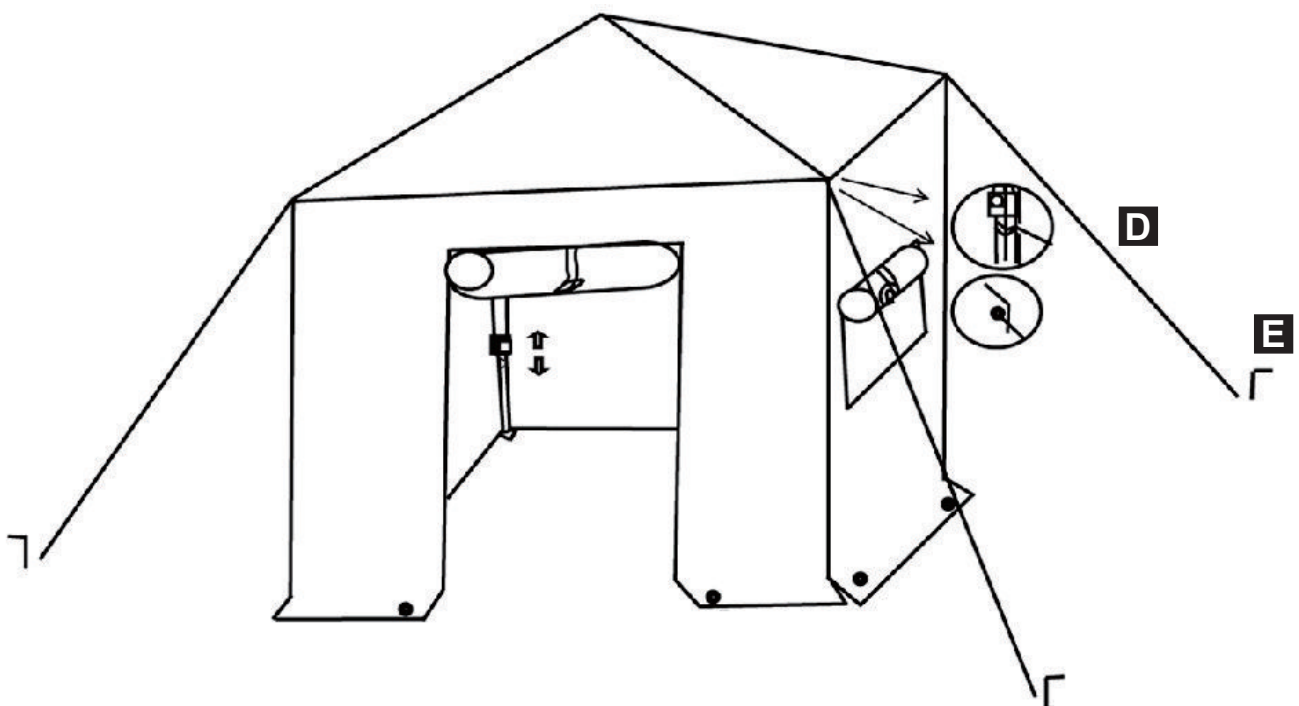
4. ADJUST THE GREENHOUSE HEIGHT

- Thumb the red button on each leg and adjust the height as you want.



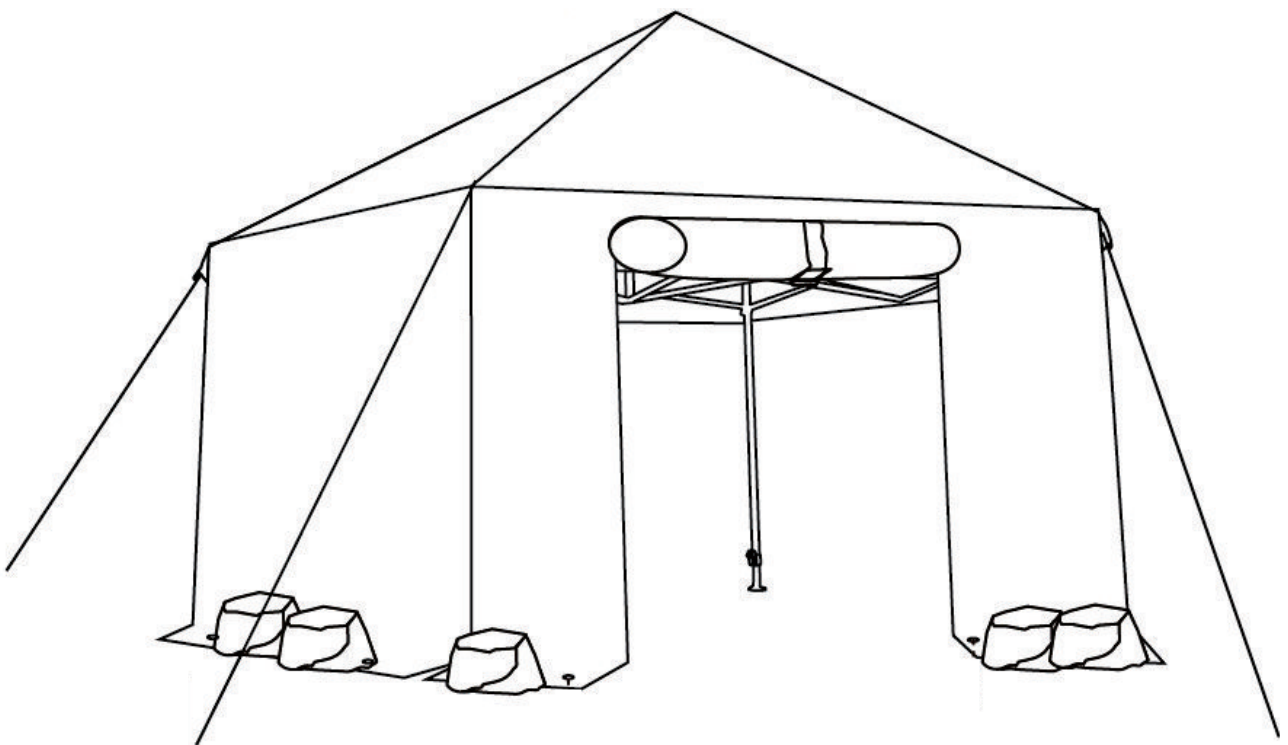
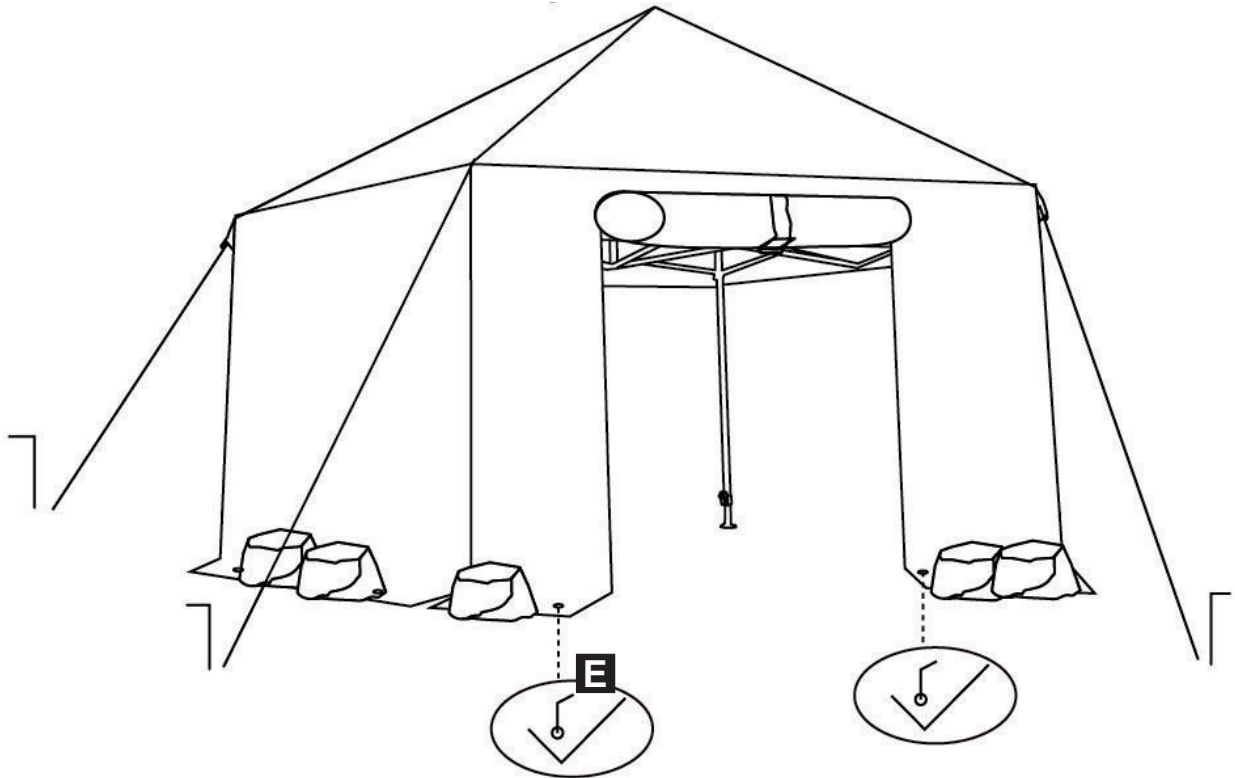
5. SECURE THE GREENHOUSE IN PLACE

- Fix the greenhouse in a proper place, using the ropes and stakes. Ensure the ropes have suitable tension by adjusting the stakes.



6. REINFORCE THE GREENHOUSE ROOM.

- The cover is lengthened. you can use extra stakes and stones to strengthen it.
- When the wind is strong, you should fold up the cover so that it won't be blown away.



US



001-877-644-9366
customerservice@aosom.com

CA



001-855-537-6088
customerservice@aosom.ca

UK



0044-800-240-4004
enquiries@mhstar.co.uk

DE



0049-(0)40-88307530
service@aosom.de

FR



0033-1-84166106
contact@aosom.fr

ES



0034-931294512
atencioncliente@aosom.es

IT



0039-0249471447
clienti@aosom.it