



INbva025\_GL

**845-511**



**IMPORTANT, RETAIN FOR FUTURE REFERENCE: READ CAREFULLY**

# ASSEMBLY & INSTRUCTION MANUAL

**A** x14



**B** x22



**C** x15



**D** x4



**E** x4



**E1** x3



**F** x1



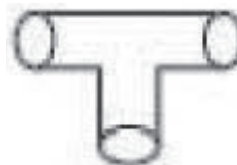
**G** x4



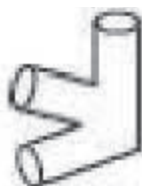
**H** x2



**1A** x4



**4A** x6

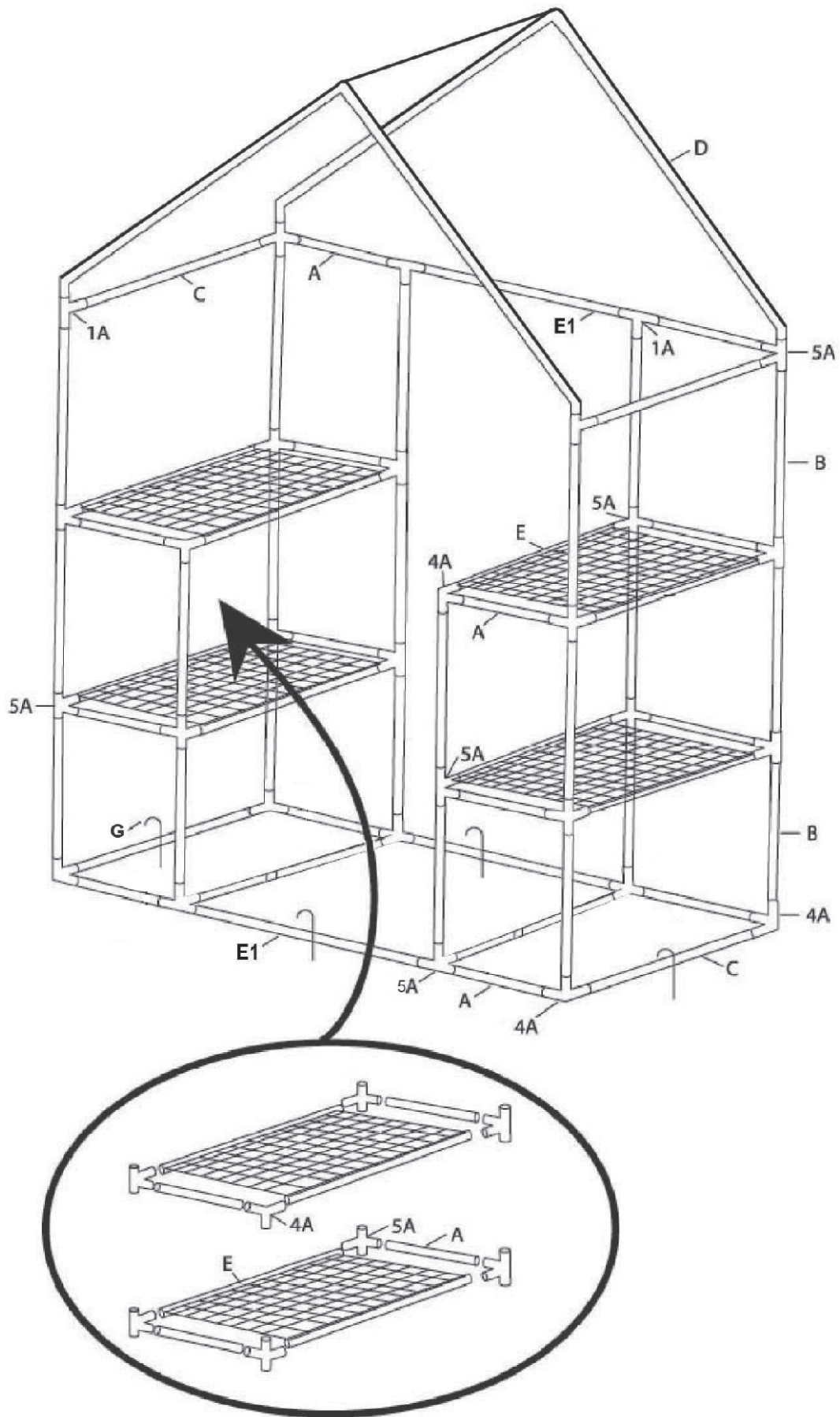


**5A** x20



**I** x4





**⚠ CAUTION:** Make sure the tubes are fully seated in the connectors before continuing.

