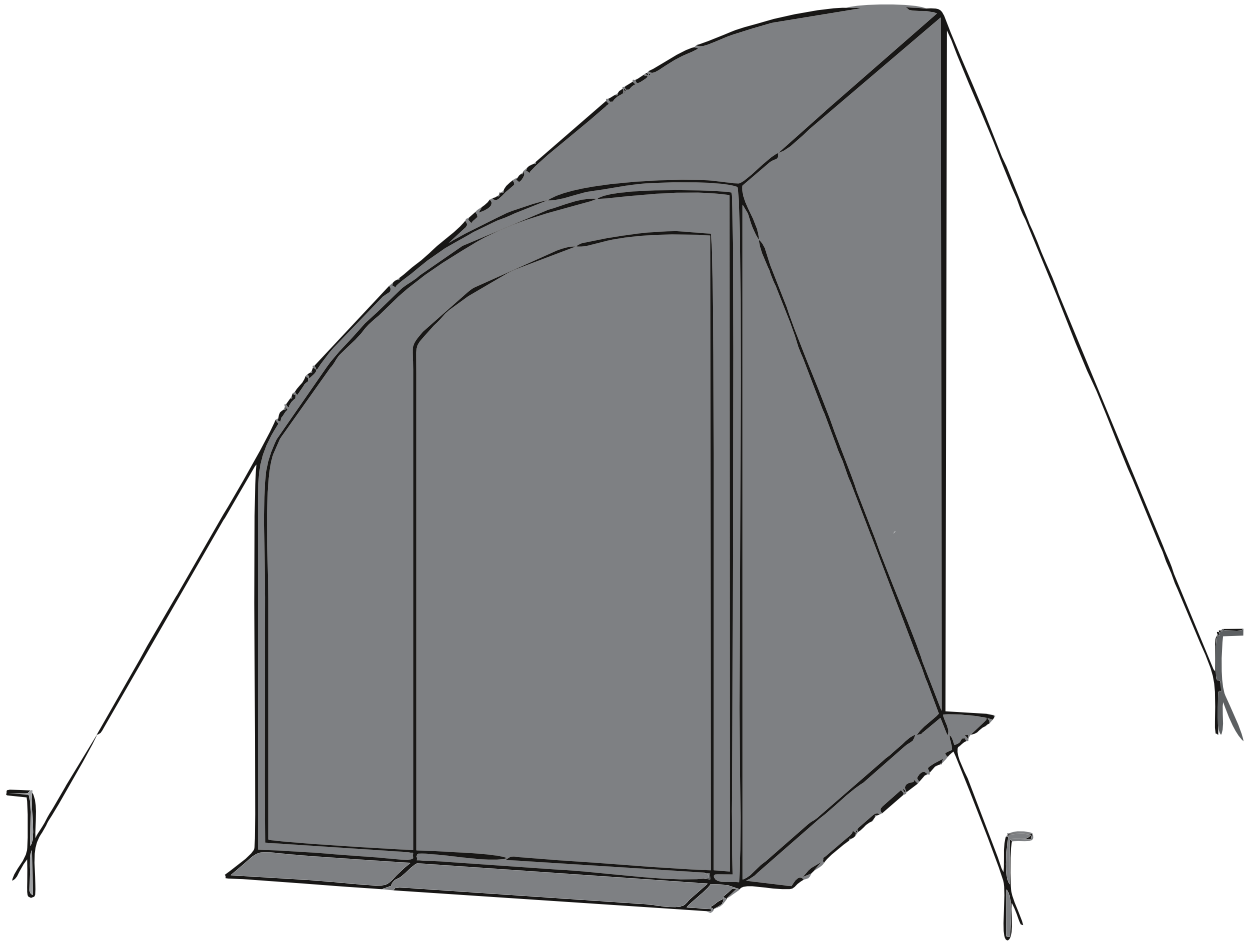




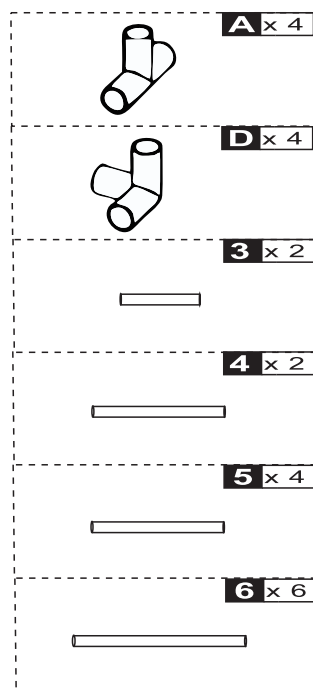
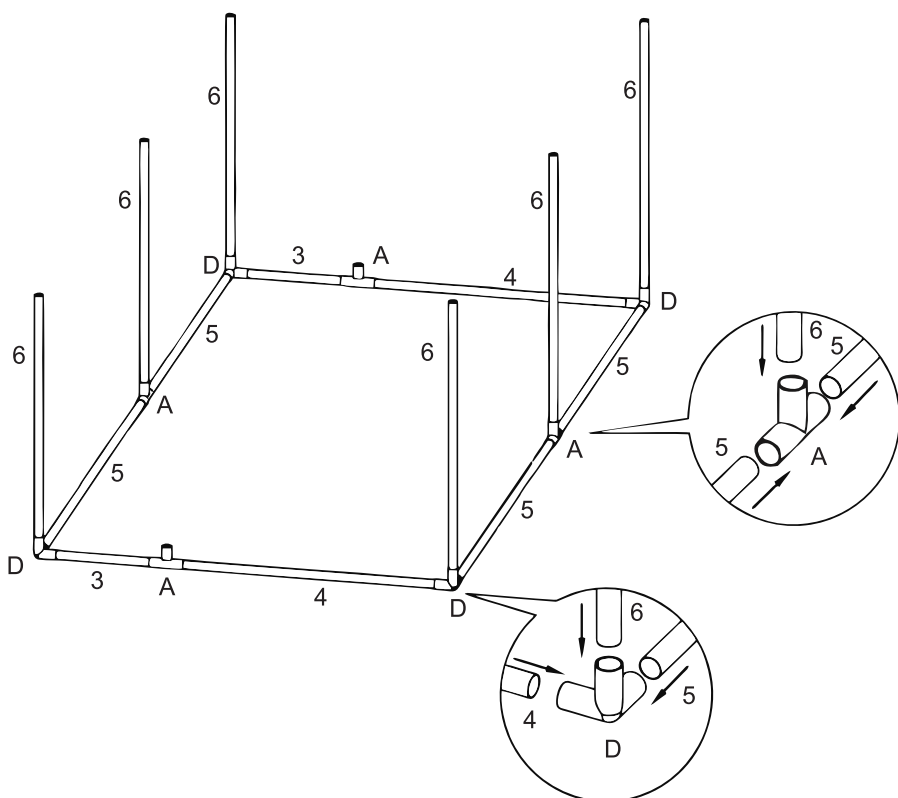
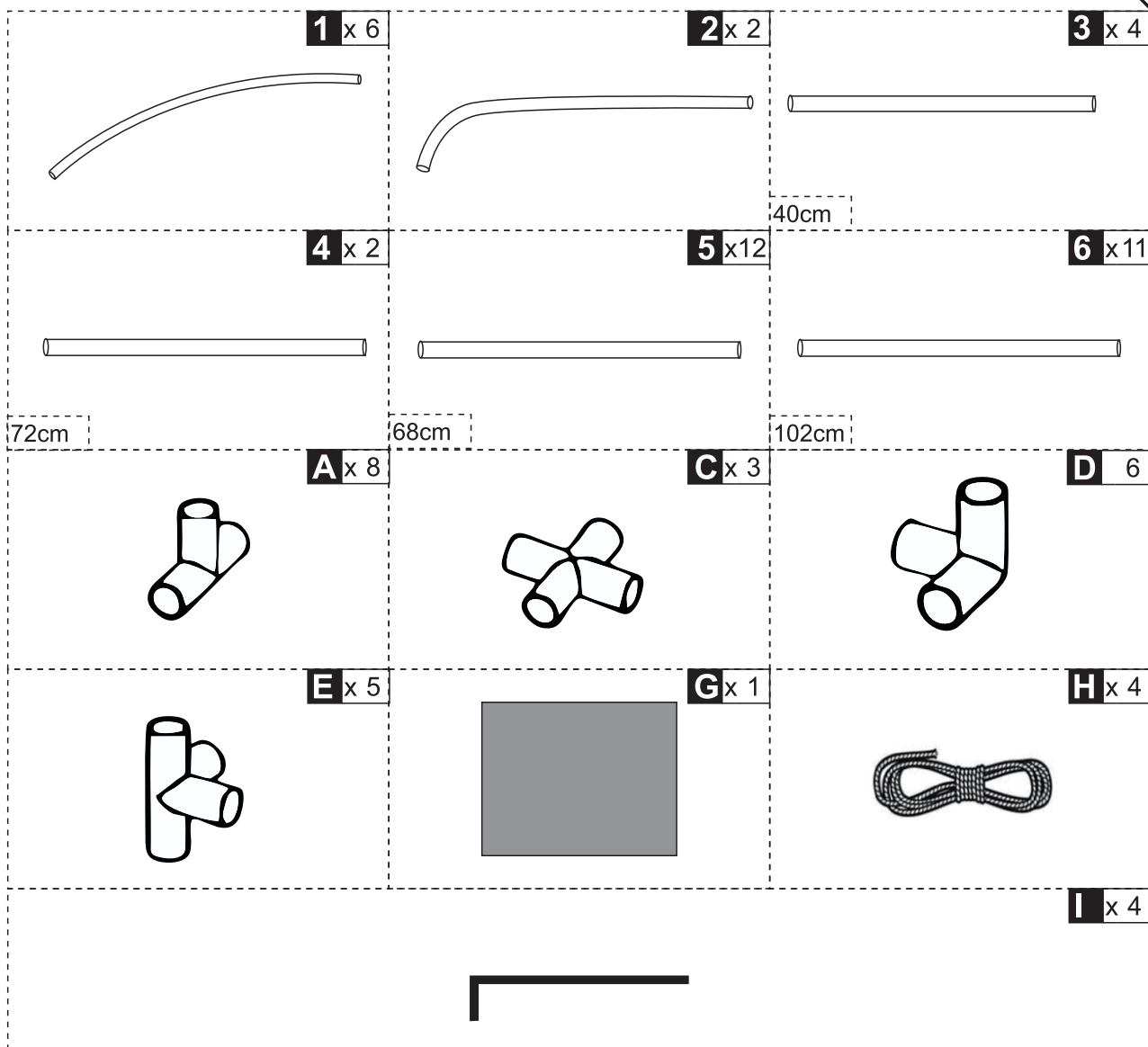
INbva029_GL

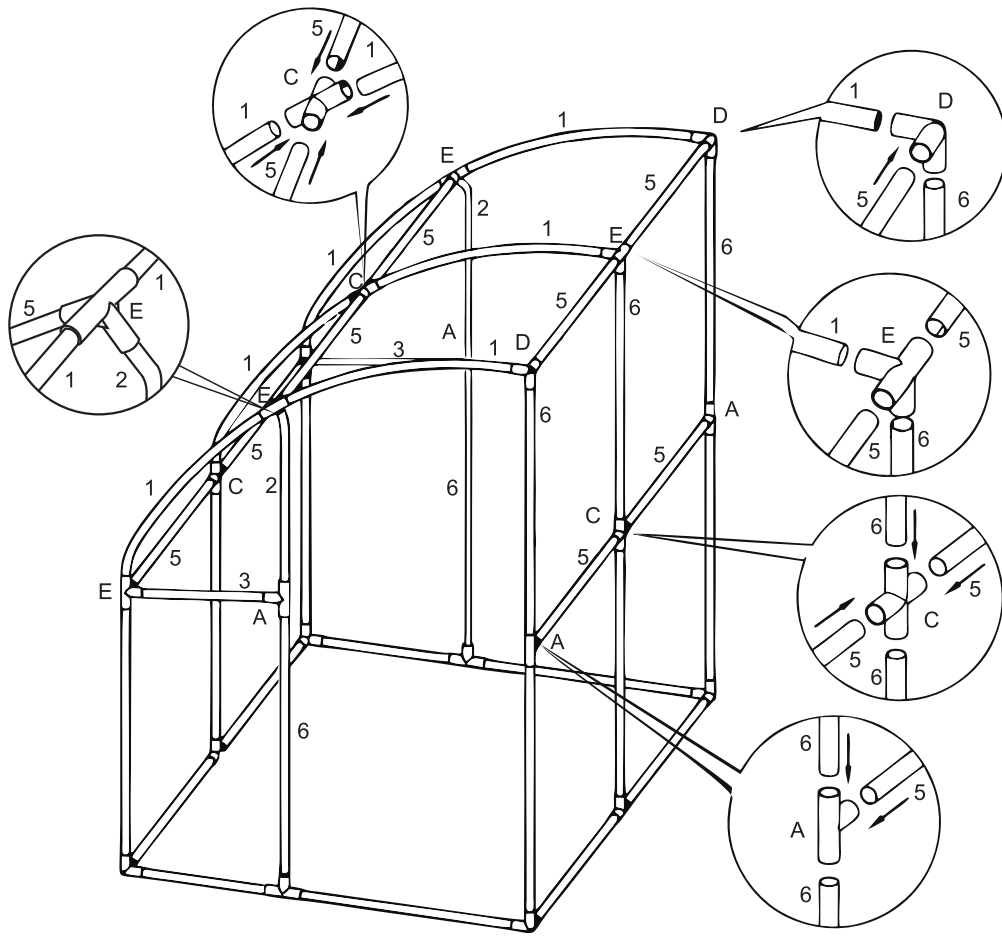
845-592



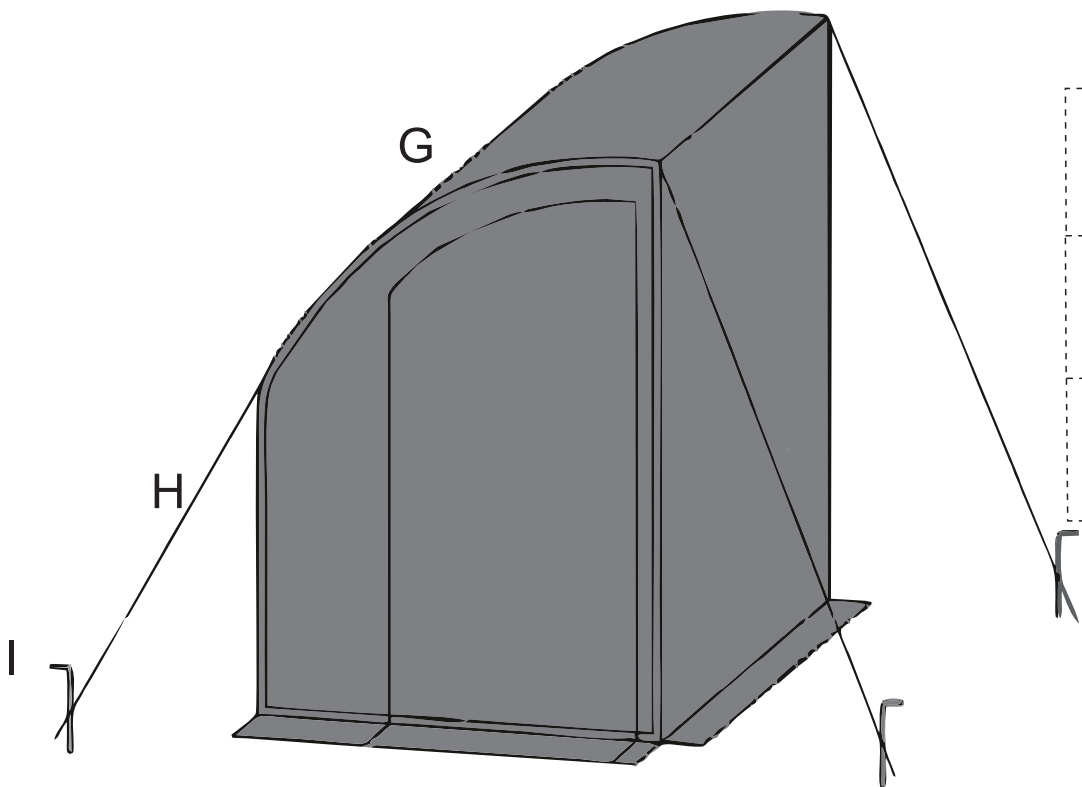
IMPORTANT, RETAIN FOR FUTURE REFERENCE: READ CAREFULLY

ASSEMBLY & INSTRUCTION MANUAL





- A x 4**
- C x 3**
- D x 2**
- E x 5**
- 1 x 6**
- 2 x 2**
- 3 x 2**
- 5 x 8**
- 6 x 5**



- G x 1**
- H x 4**
- I x 4**