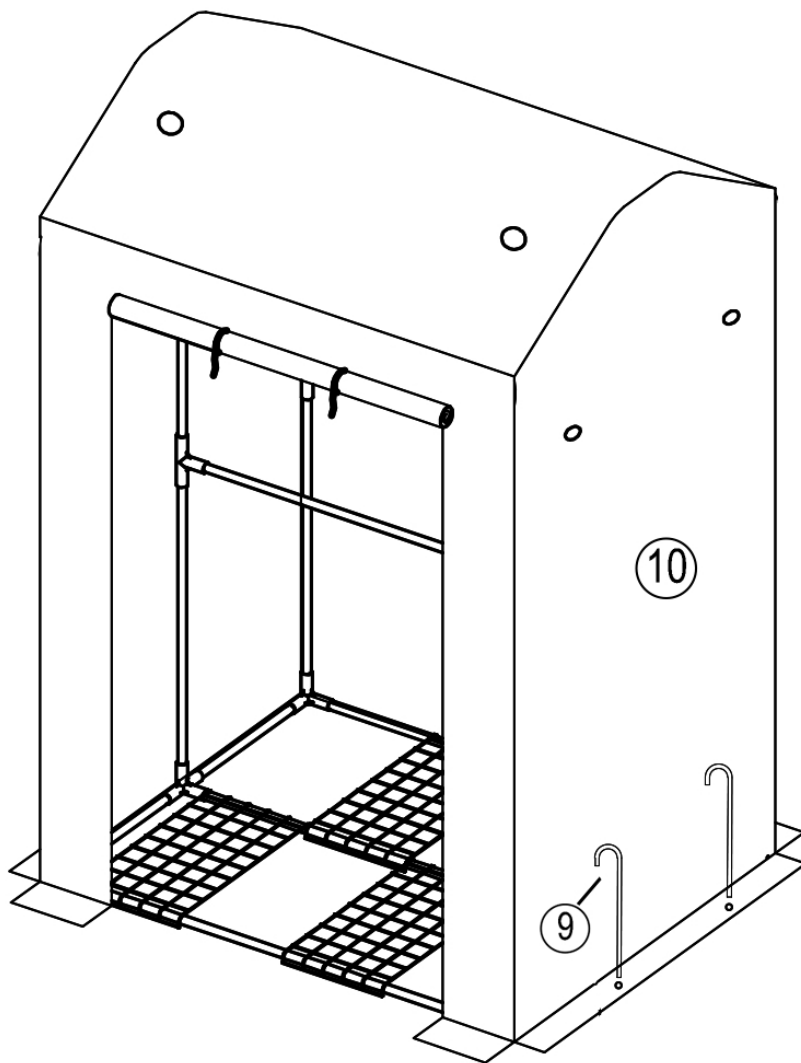




INbva034_GL

845-605



IMPORTANT, RETAIN FOR FUTURE REFERENCE: READ CAREFULLY

ASSEMBLY & INSTRUCTION MANUAL

PARTS

1 x 7



2 x 2



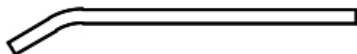
3 x 10



4 x 4



5 x 4



6 x 4



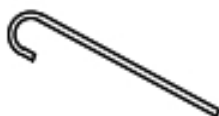
7 x 4



8 x 8



9 x 8



10 x 1



Cover

HARDWARE

A x 2



D x 4



E x 4



G x 4



