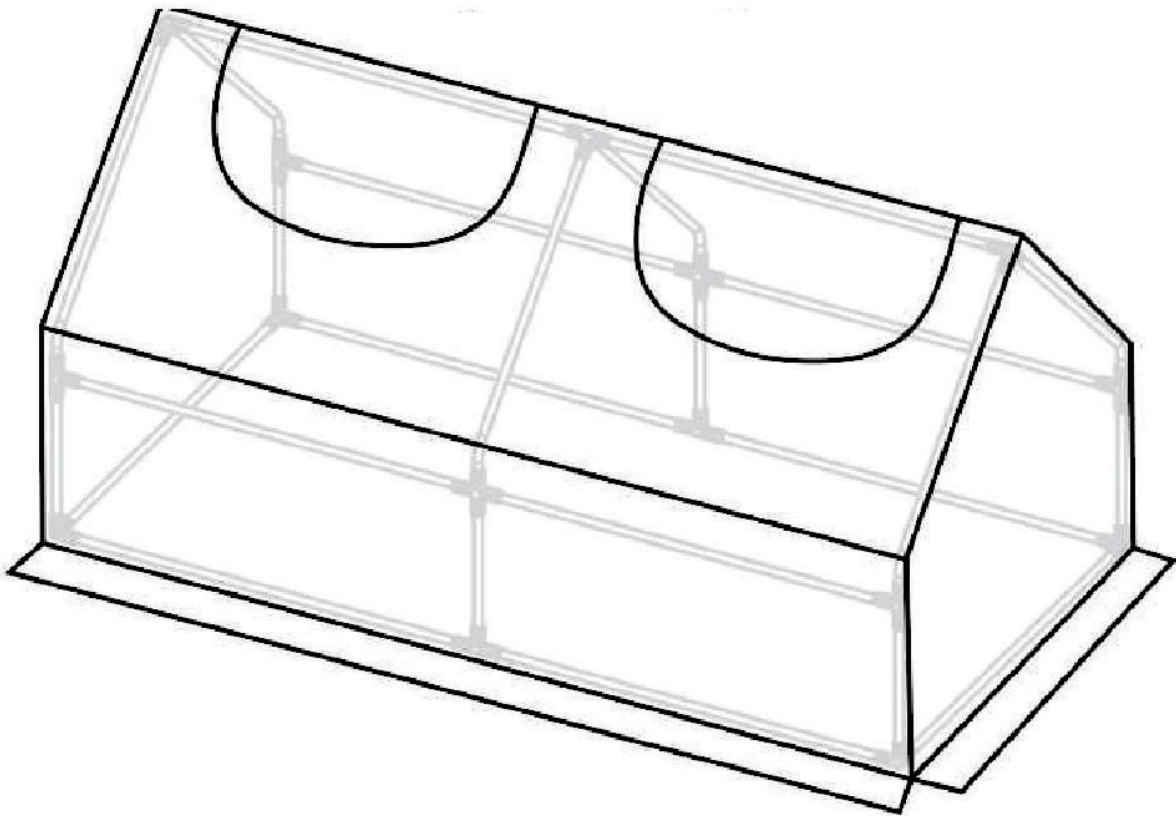




INbvb009\_GL

845-368V03\_845-368V04



IMPORTANT, RETAIN FOR FUTURE REFERENCE: READ CAREFULLY

ASSEMBLY & INSTRUCTION MANUAL

**1** x 6



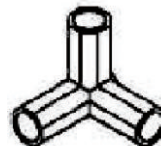
**2** x 12



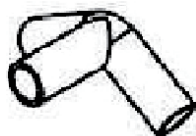
**3** x 6



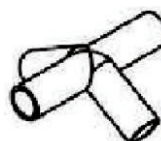
**A** x 4



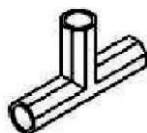
**B** x 6



**C** x 3



**D** x 2



**E** x 1

