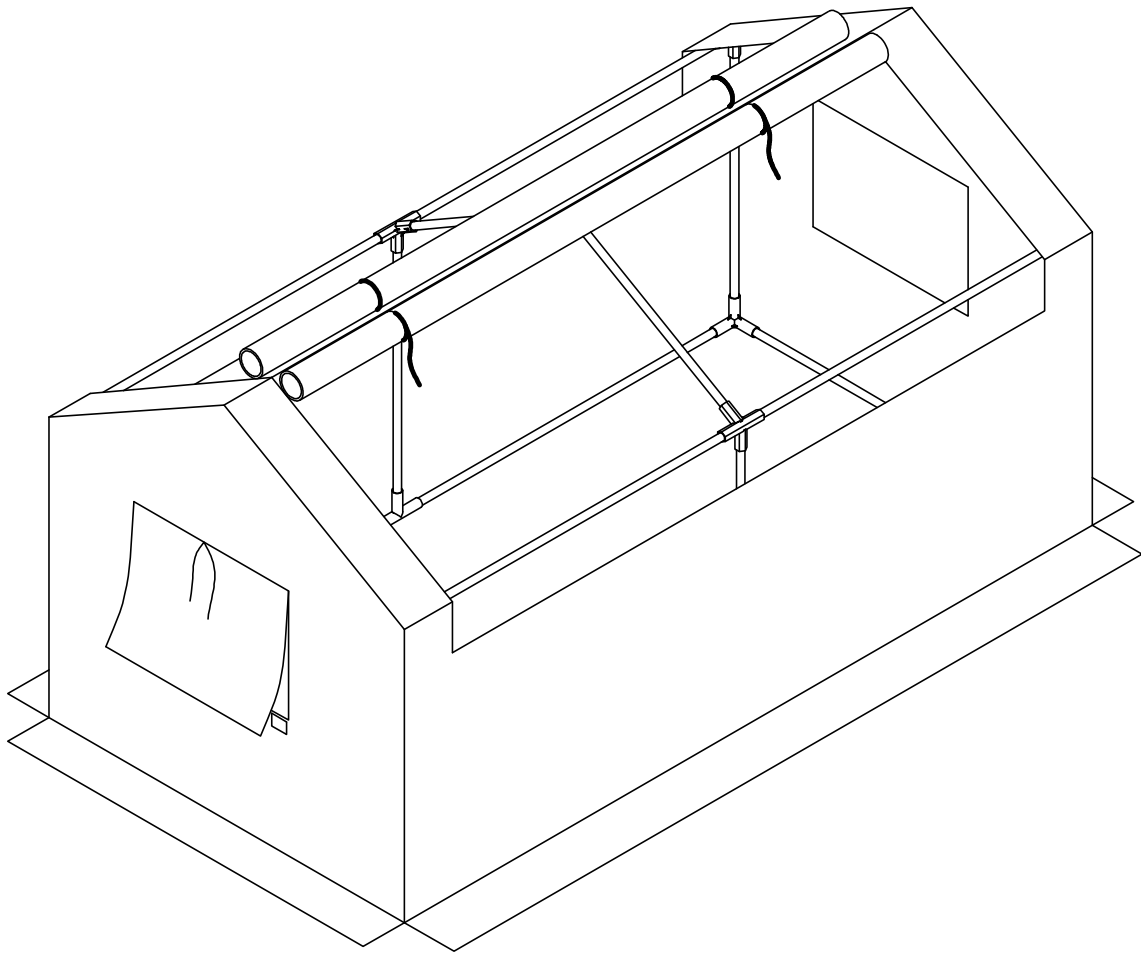




INbvb014_GL

845-623



IMPORTANT, RETAIN FOR FUTURE REFERENCE: READ CAREFULLY

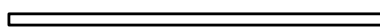
ASSEMBLY & INSTRUCTION MANUAL

PARTS

1 x 2



2 x 10



3 x 6

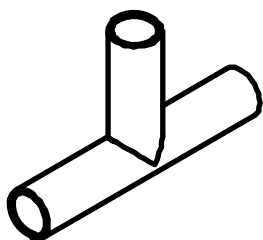


4 x 6

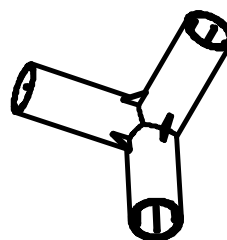


HARDWARE

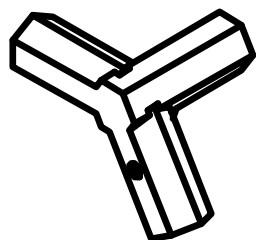
A x 2



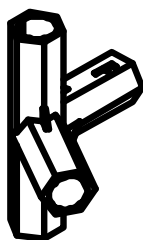
D x 4



G x 6



F x 3



x 1



Cover

