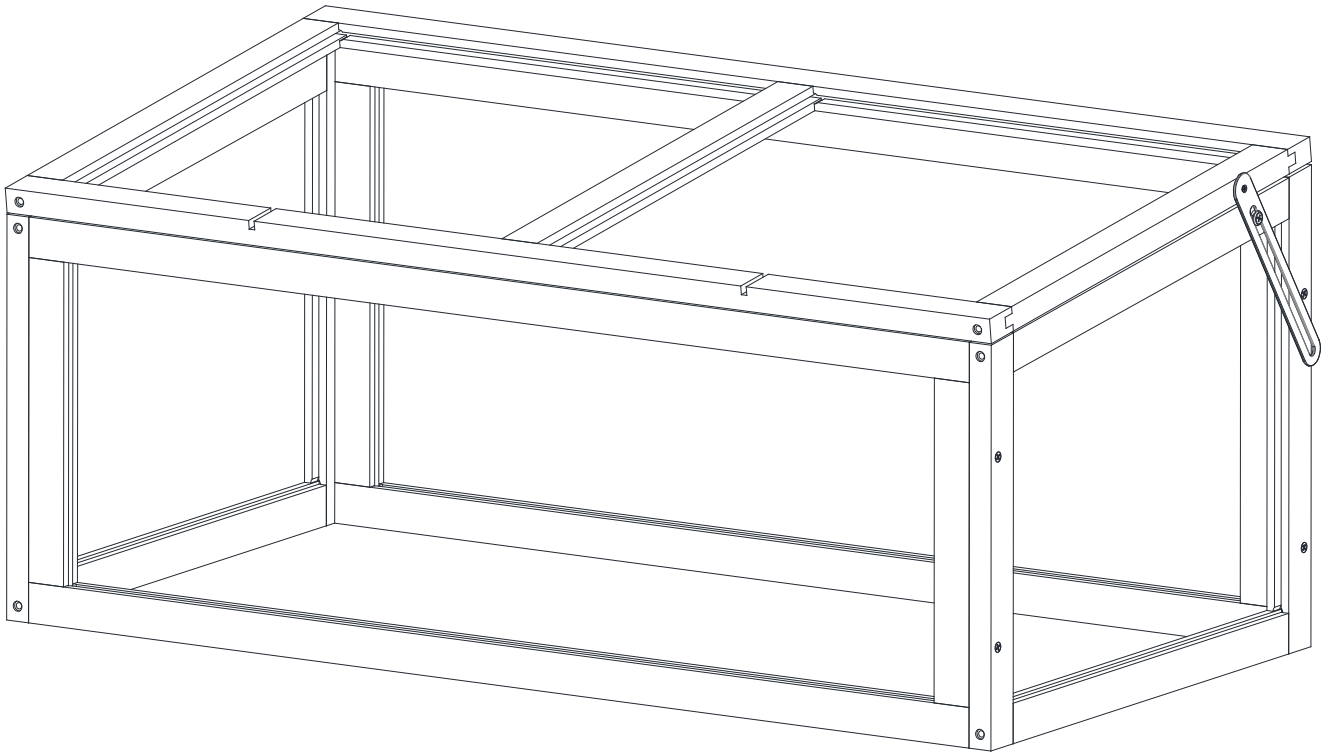




INbvc009V01_GL

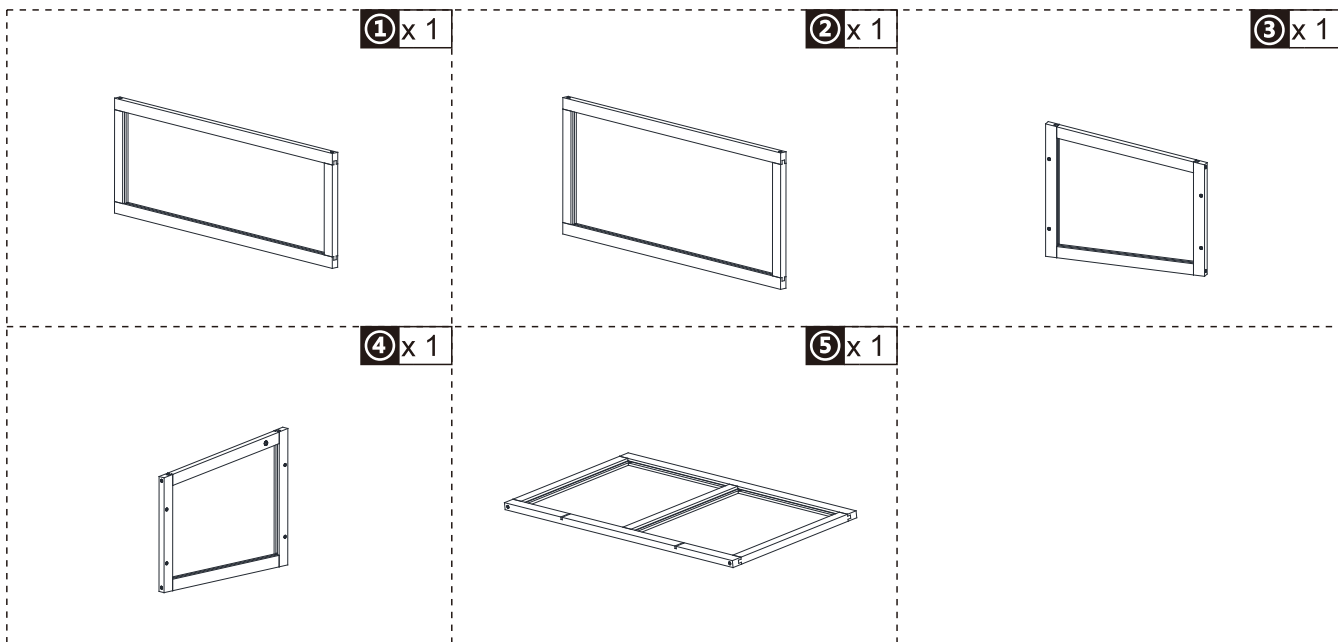
845-379V01



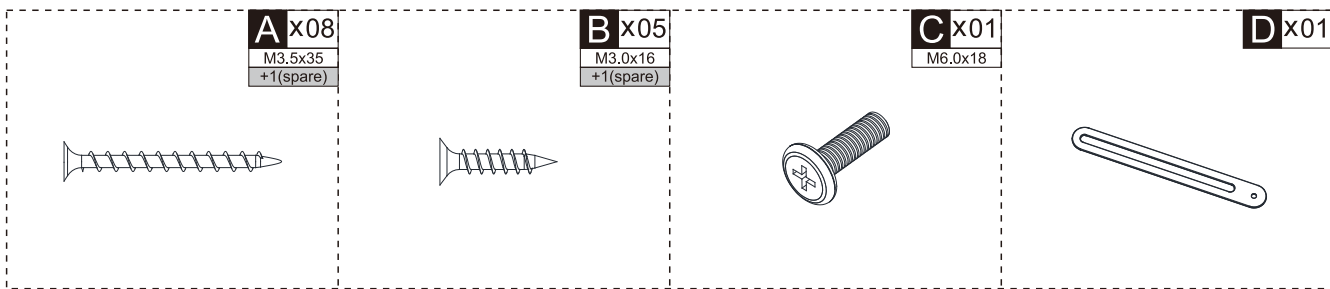
IMPORTANT, RETAIN FOR FUTURE REFERENCE: READ CAREFULLY

ASSEMBLY & INSTRUCTION MANUAL

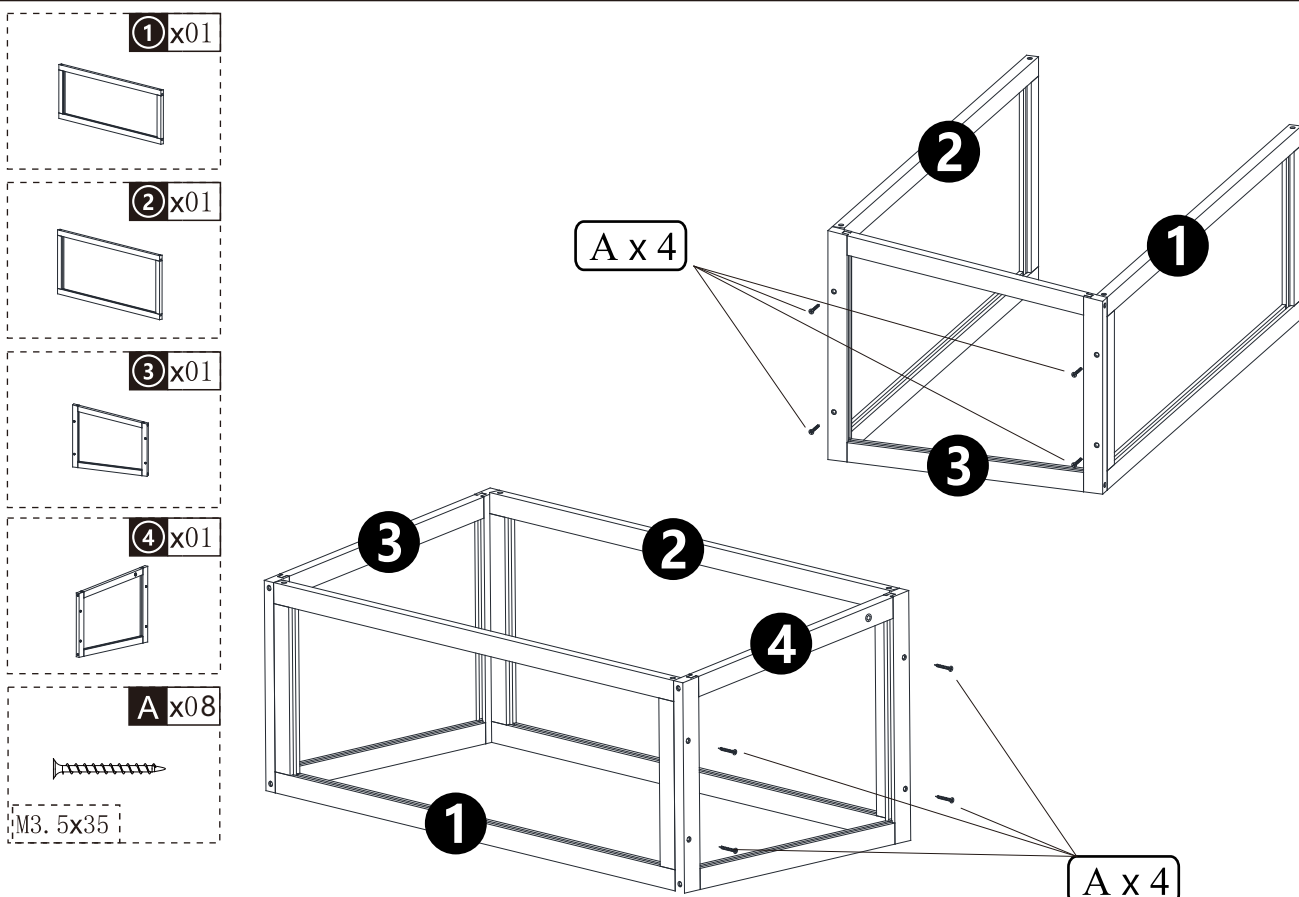
PARTS



HARDWARE

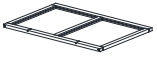


01



02

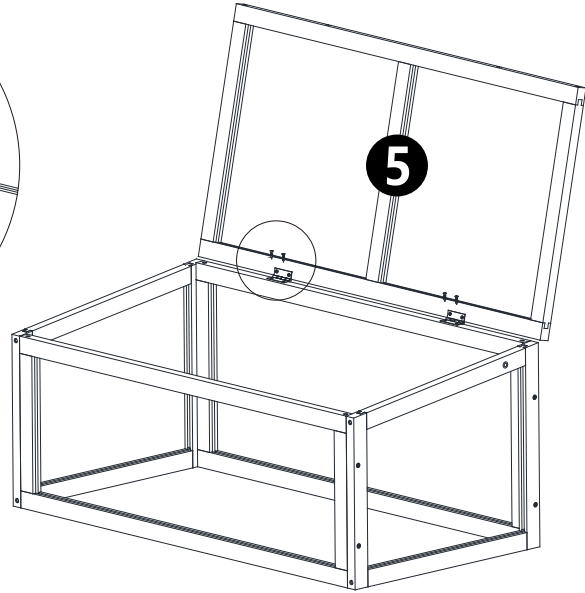
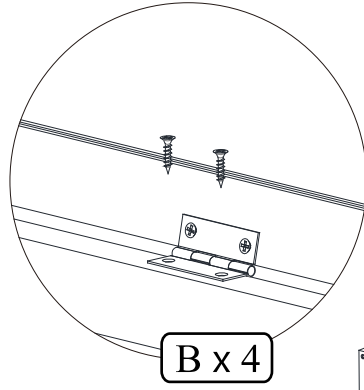
5 x 01



B x 04



M3.0 x 16



03

D x 01



B x 01

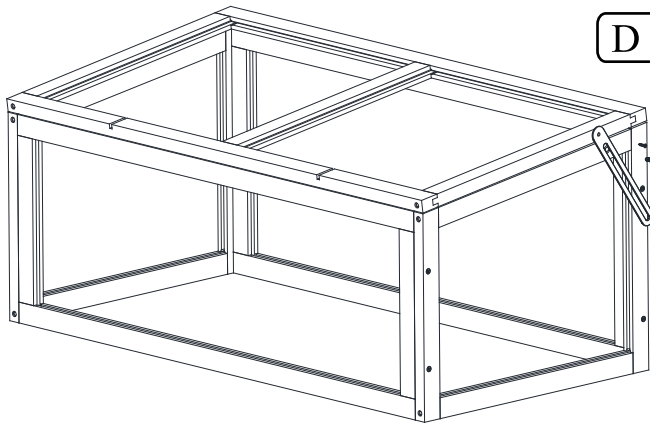


M3.0 x 16

C x 01



M6.0 x 18



D x 1

B x 1

C x 1

DONE

